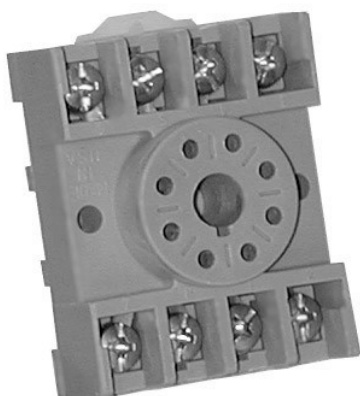


PART NO. 51X120
PART NO. 51X016

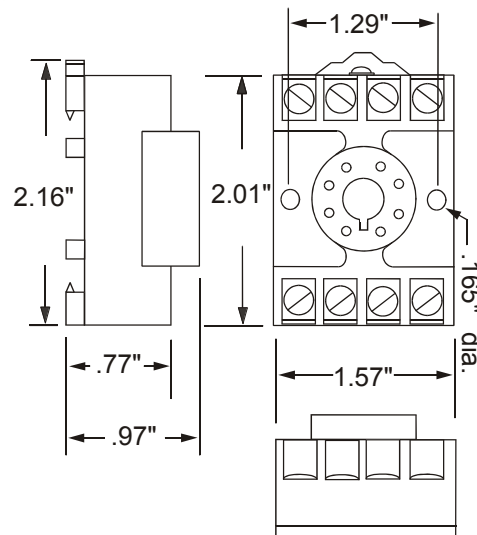
Sockets

- **8-Pin Socket:**
10 Amps at 600VAC Rating
- **11-Pin Socket:**
10 Amps at 300VAC Rating

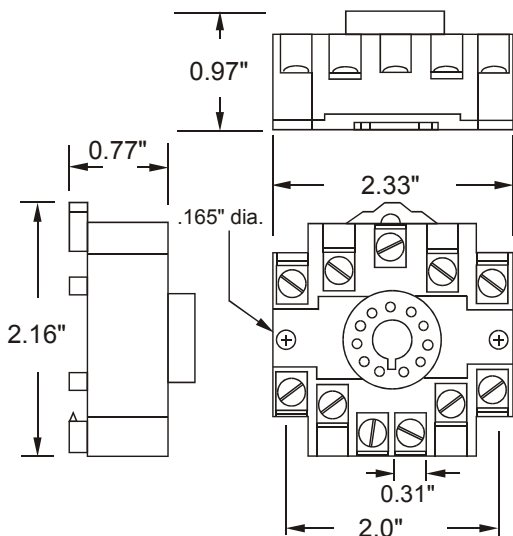


The Model 51X120 8-Pin Socket is a surface or DIN-rail mount socket which is suitable for use with Time Mark relays up to 480 VAC.

The thermoplastic body can withstand temperatures up to 300° F continuously without melting or electrical breakdown. Terminals are #6-32 screws, and are suitable for use with wire sizes up to two #12 AWG. The one piece molded body does not require a separate insulator strip.



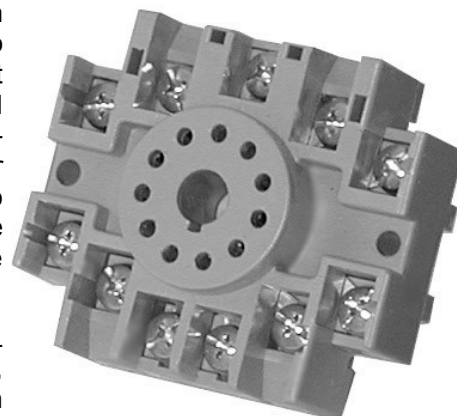
The Model 51X120 is UL Recognized, CSA Certified, and is now CE (European Conformity) Accepted.



The Model 51X016 11-Pin Socket is a surface or DIN-rail mount socket.

The thermoplastic body can withstand temperatures up to 300°F continuously without melting or electrical breakdown. Terminals are #6-32 screws, and are suitable for use with wire sizes up to two #12 AWG. The one piece molded body does not require a separate insulator strip.

The Model 51X016 is UL Recognized, CSA Certified, and is now CE (European Conformity) Accepted.



Telephone: Main - (918) 438-1220
 Sales - (800) 862-2875
 Fax: (918) 437-7584

E-mail: sales@time-mark.com
 Internet: http://www.time-mark.com



TIME MARK
CORPORATION

11440 East Pine Street
 Tulsa, Oklahoma 74116

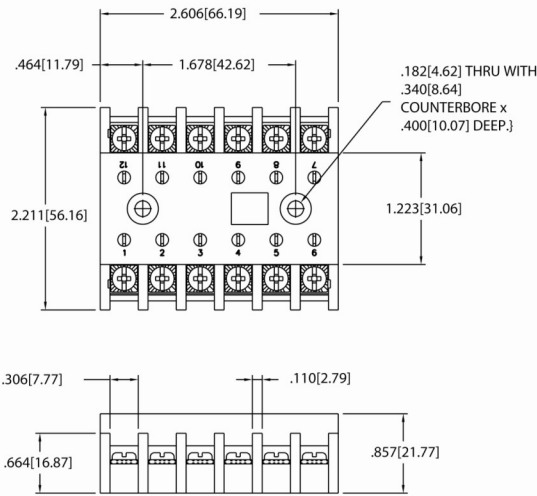
Doc No. 87A77 05/10
 © 2010 TIME MARK CORPORATION

TIME MARK is a division of  AEMT, Inc.

MODEL 51X156

12-Pin Socket

- **12-Pin Socket:**
10 Amps at 600VAC Rating



The Model 51X156 12-Pin Socket is a surface or DIN-rail mount socket. This unit is used for Time Mark Corporation models 261XBXP and 261XBXP Alternating Relays.

UL rates the compound material used on the 51X156 at 140°C or 284°F. Terminals are #6-32 screws, and are suitable for use with wire sizes up to two #12 AWG and rated up to 600VAC.

The Model 51X156 is UL Recognized, CSA Certified, and is now CE (European Conformity) Accepted.

PART NO. 98A535

Hold Down Clamp

- **Hold Down Clamp:**
Prevents Vibration of Socket-mounted Relays

DESCRIPTION

The 98A535 Hold Down Clamp is constructed of stainless steel brackets and is joined with a rubber O-ring. The clamp is designed to secure the socket-mounted relay against vibration.

The Hold Down Clamp is attached to the socket with existing mounting hardware. These clamps are made to fit all Time Mark™ and Signaline™ socket-mounted relays.

KIT INCLUDES:

- 2 Screws, #6-32 x 3/4"
- 2 Nuts, #6-32 x 5/16" (across flats)
- 2 L-Shaped Brackets, 0.65"x0.5"x0.3" (0.03" thick)
- 1 Neoprene O-Ring, 5"



Telephone: Main - (918) 438-1220
Sales - (800) 862-2875
Fax: (918) 437-7584

E-mail: sales@time-mark.com
Internet: http://www.time-mark.com



TIME MARK
CORPORATION

11440 East Pine Street
Tulsa, Oklahoma 74116
Doc No. 87A77 05/10
© 2010 TIME MARK CORPORATION

TIME MARK is a division of AEMT, Inc.