

Enclosure Specifications

Bulletin Number 198

Topic	Page
General Specifications	2
Approximate Dimensions	3

Additional Resources

These documents contain additional information concerning related products from Rockwell Automation.

Resource	Description
Industrial Automation Wiring and Grounding Guidelines, publication 1770-4.1	Provides general guidelines for installing a Rockwell Automation industrial system.
Product Certifications website, http://www.ab.com	Provides declarations of conformity, certificates, and other certification details.

You can view or download publications at <http://www.rockwellautomation.com/literature/>. To order paper copies of technical documentation, contact your local Allen-Bradley distributor or Rockwell Automation sales representative.





Molded Plastic Lift-Off



Metal Lift-Off



Metal Hinged Enclosure

Standards Compliance

Cat. Nos. 198E-A_ and 198E-C_ plastic enclosures
 EN / IEC 62208
 EN / IEC 60947-4-1
 UL 50
 UL 508
 CSA 22.2, No. 14

Certifications

Cat. No. 198E-C_ plastic enclosures
 CE Marked
 cULus Listed

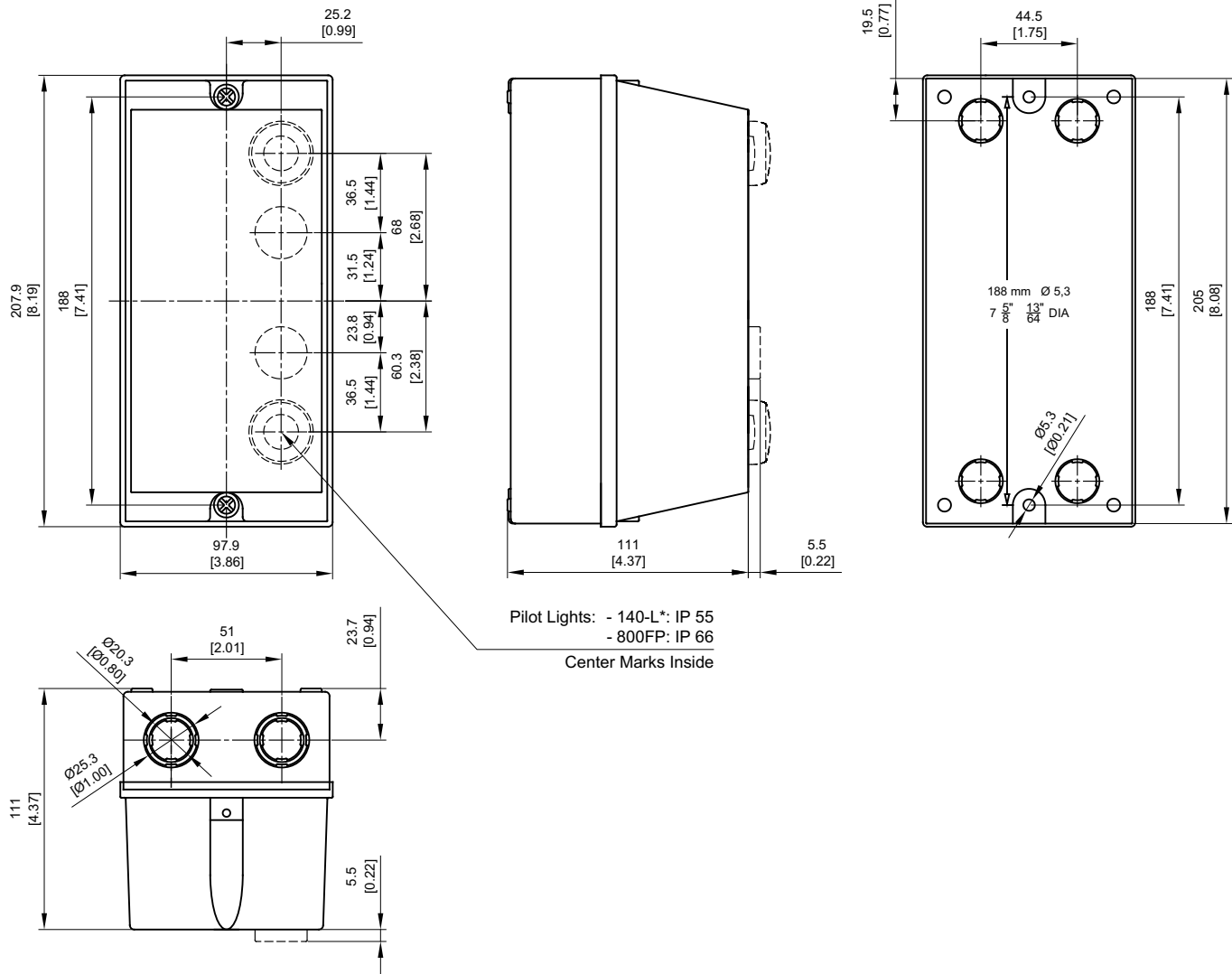
Specifications

Plastic Enclosures	
Max. rated current (I_n max.) = Max. rated operational current (I_e) with Cat. No. 193-ED1/193-EE overload relays	25.0 A
Rated insulation voltage U_i (pollution degree 3)	690V
Dielectric strength	3750V r.m.s.
Ambient air temperature with electronic overload relay storage	max. +40 °C (104 °F), average over 24h = 40 °C (104 °F) lower limit -20 °C (-4 °F) -55...+60 °C (-67...+140 °F)
Atmospheric conditions	95% relative humidity at max. +40 °C (104 °F)
Installation altitude	<2000 m (6561 ft) above sea level
Degree of protection per IEC 60947-1 against external mechanical impacts	IP66 IK07
per UL 50	4/4X/12K
Mechanical lifetime with Start/Stop push buttons, Start/Stop operations	>100 000

Approximate Dimensions

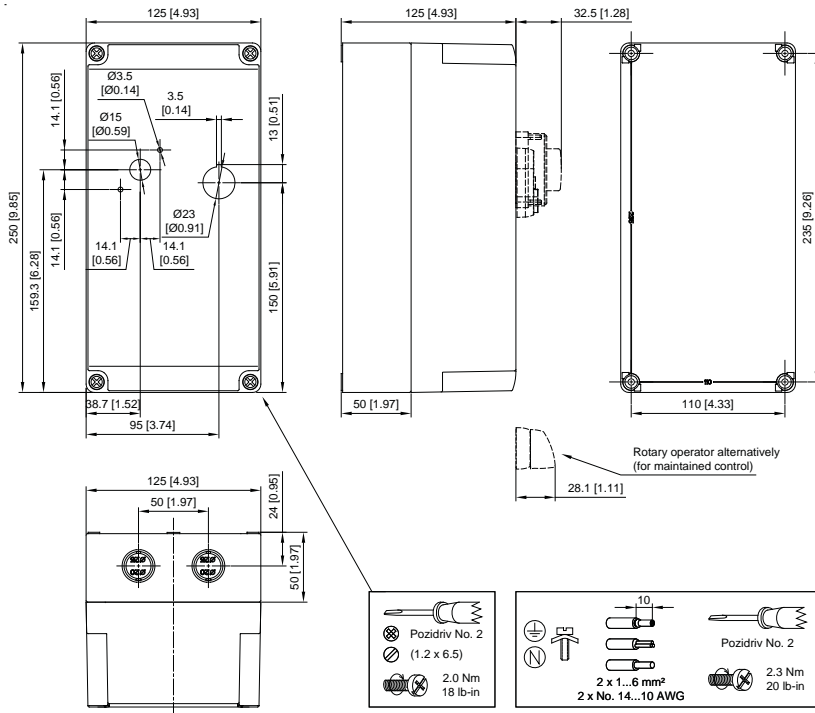
Approximate dimensions are shown in millimeters (inches). Dimensions are not to be used for manufacturing purposes.

Cat. Nos. 198E-A0S1, -C0S1, and -C0S4 Plastic Enclosures

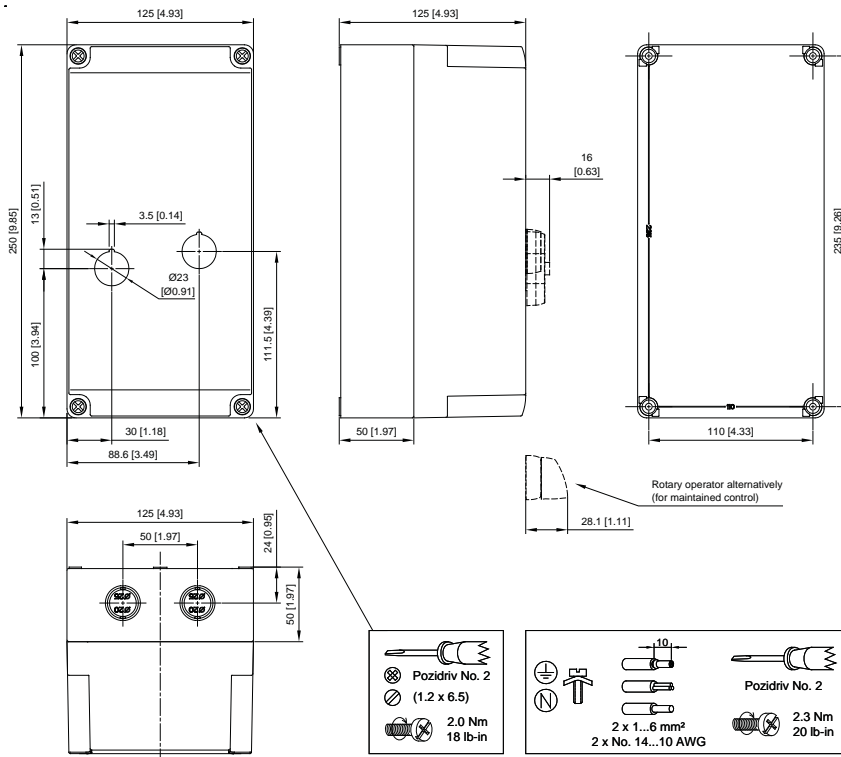


Cat. Nos. 198E-C2S4, -C0S4R, and -C0C4R Plastic Enclosures

Approximate dimensions are shown in millimeters (inches). Dimensions are not to be used for manufacturing purposes.

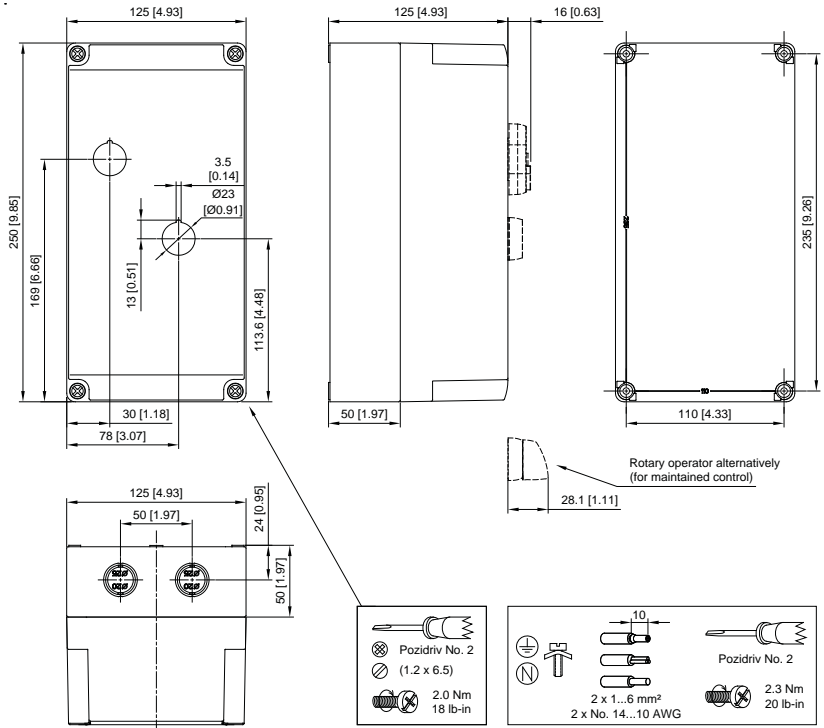


Cat. No. 198E-C0C4R



Cat. No. 198E-C0S4R

Approximate dimensions are shown in millimeters (inches). Dimensions are not to be used for manufacturing purposes.



Cat. No. 198E-C2S4

Important User Information

Read this document and the documents listed in the additional resources section about installation, configuration, and operation of this equipment before you install, configure, operate, or maintain this product. Users are required to familiarize themselves with installation and wiring instructions in addition to requirements of all applicable codes, laws, and standards.

Activities including installation, adjustments, putting into service, use, assembly, disassembly, and maintenance are required to be carried out by suitably trained personnel in accordance with applicable code of practice.

If this equipment is used in a manner not specified by the manufacturer, the protection provided by the equipment may be impaired.

In no event will Rockwell Automation, Inc. be responsible or liable for indirect or consequential damages resulting from the use or application of this equipment.

The examples and diagrams in this manual are included solely for illustrative purposes. Because of the many variables and requirements associated with any particular installation, Rockwell Automation, Inc. cannot assume responsibility or liability for actual use based on the examples and diagrams.

No patent liability is assumed by Rockwell Automation, Inc. with respect to use of information, circuits, equipment, or software described in this manual.

Reproduction of the contents of this manual, in whole or in part, without written permission of Rockwell Automation, Inc., is prohibited.

Documentation Feedback

Your comments will help us serve your documentation needs better. If you have any suggestions on how to improve this document, complete this form, publication [RA-DU002](#), available at <http://www.rockwellautomation.com/literature/>.

Allen-Bradley, Rockwell Software, Rockwell Automation, and LISTEN. THINK. SOLVE are trademarks of Rockwell Automation, Inc.
Trademarks not belonging to Rockwell Automation are property of their respective companies.

Rockwell Otomasyon Ticaret A.Ş., Kar Plaza İş Merkezi E Blok Kat:6 34752 İçerenköy, İstanbul, Tel: +90 (216) 5698400

www.rockwellautomation.com

Power, Control and Information Solutions Headquarters

Americas: Rockwell Automation, 1201 South Second Street, Milwaukee, WI 53204-2496 USA, Tel: (1) 414.382.2000, Fax: (1) 414.382.4444
Europe/Middle East/Africa: Rockwell Automation NV, Pegasus Park, De Kleetlaan 12a, 1831 Diegem, Belgium, Tel: (32) 2 663 0600, Fax: (32) 2 663 0640
Asia Pacific: Rockwell Automation, Level 14, Core F, Cyberport 3, 100 Cyberport Road, Hong Kong, Tel: (852) 2887 4788, Fax: (852) 2508 1846