

5G108-RT5



UPC Code: 07847727946

Country of Origin: United States - *Eligible for ARRA funded projects



*May include one or more globally sourced components.



Connectors

Brand Features

The GigaMax Cat 5e UTP QuickPort Connector is designed to be used with any Category 5e UTP structured cabling system. The modular connector features a one-piece narrow design that supports high port density in a small area, and is ideal for use in residential, MDU, and high megabit applications.

Item Description

GigaMax Cat 5e QuickPort Connector, Light Almond

Technical Information

Environmental Specifications

Flammability: Rated UL94V-0

Material Specifications

Contact Base Material: Phosphor Bronze

Body Material: High-Impact Fire-Retardant Plastic

Body Color: Light Almond

Mechanical Specifications

Position / Conductor: 8P8C

Style Name: GigaMax

Termination Type: 110 Punchdown

Connector Feature: Channel-Rated

Cable Type: 8-Conductor UTP Copper Cat 5, 5e and 6

Product ID: Permanently laser-engraved

Wiring Standard: T568A T568B

Performance Specifications

Module Type: Category 5e

Product Features

Module Style: Connector

Module Type: Category 5e

Position / Conductor: 8P8C

Cable Type: 8-Conductor UTP Copper Cat 5, 5e and 6

Connector Feature: Channel-Rated

Termination Type: 110 Punchdown

Category Rating: GigaMax 5e

Contact Base Material: Phosphor Bronze

Body Color: Light Almond

Standards and Certifications: TIA/EIA cULus Listed

Warranty: 1 Year Limited

Packaging: Single Pack 1/bag

Color: Light Almond

Features and Benefits

- Available in 13 colors

Standards and Certifications

TIA/EIA: TIA-568-B

UL: cULus Listed

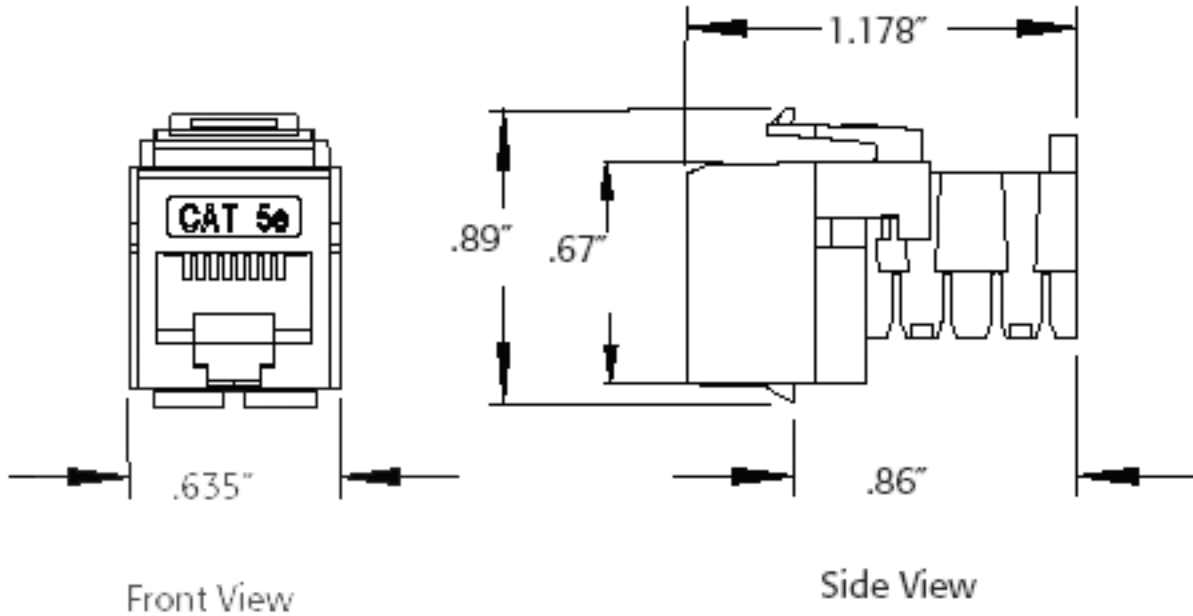
CSA: Certified

NEC: Article 800 Compliant

FCC: Part 68 Compliant

ACA: Compliant

- Dual wiring code label allows connector to be wired to either T568A or T568B
- Individual port configurability allows specification flexibility
- Robust one-piece lead-frame design
- Narrow connector allows high port density in a small area
- Performance supports high megabit and shared-sheath applications
- Available individually, in bulk packages of 25, and in bulk packages of 150 with a JackRapid Punchdown Tool



SPECIFICATION SUBMITTAL

JOB NAME:		CATALOG NUMBERS:	
<input type="text"/>		<input type="text"/>	<input type="text"/>
JOB NUMBER:	<input type="text"/>	<input type="text"/>	<input type="text"/>

Leviton Manufacturing Co., Inc.
 201 North Service Road, Melville, NY 11747
 Telephone: 1-800-323-8920 · FAX: 1-800-832-9538 · Tech Line (8:30AM-7:30PM E.S.T. Monday-Friday): 1-800-824-3005

Leviton Manufacturing of Canada, Ltd.
 165 Hymus Boulevard, Pointe Claire, Quebec H9R 1E9 · Telephone: 1-800-469-7890 ·
 FAX: 1-800-824-3005 · www.leviton.com/canada

Leviton S. de R.L. de C.V.
 Lago Tana 43, Mexico DF, Mexico CP 11290 · Tel.: (+52)55-5082-1040 · FAX: (+52)5386-1797 · www.leviton.com.mx

Visit our Website at: www.leviton.com
 © 2012-2016 Leviton Manufacturing Co., Inc. All rights reserved. Subject to change without notice.



Leviton has a global presence.
 If you would like to know where your local Leviton office is located please go to: www.leviton.com/international/contacts/

**Buy American Compliant Logo -- The American Recovery And Reinvestment Act of 2009 ("ARRA") provides federal grants and loans for projects throughout the country. Section 1605 of the Act, named the "Buy American" provision, requires that certain materials and manufactured products used in projects funded by the Act be manufactured in the United States. The appearance of the Recovery Act Logo in relation to a Leviton product is only intended to reflect that such product may be used in an ARRA funded project. It does not mean that such product or Leviton is sponsored or endorsed by, or that Leviton receives funds from, the federal government or the Recovery Accountability and Transparency Board. Nothing in Leviton's use of the logo is intended to suggest anything regarding the requirements for funding under ARRA.*