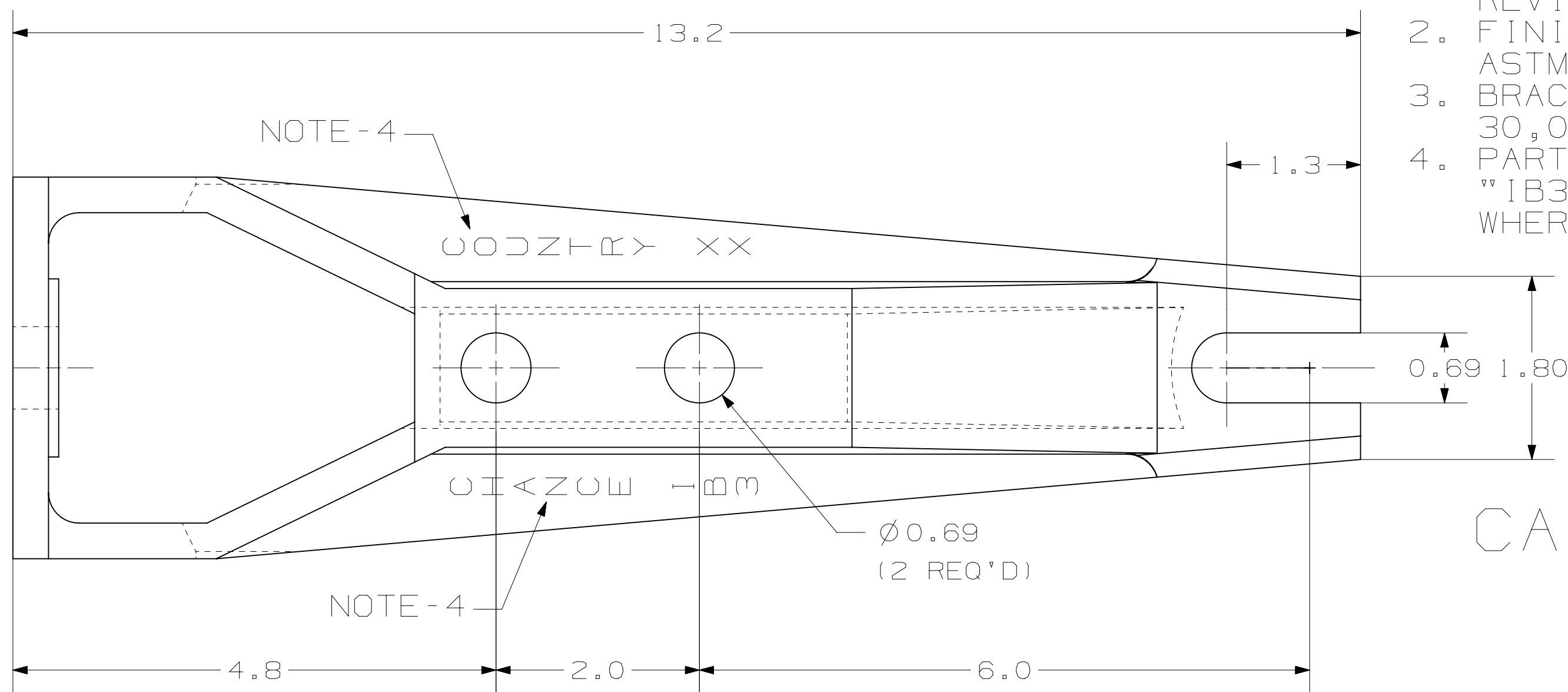
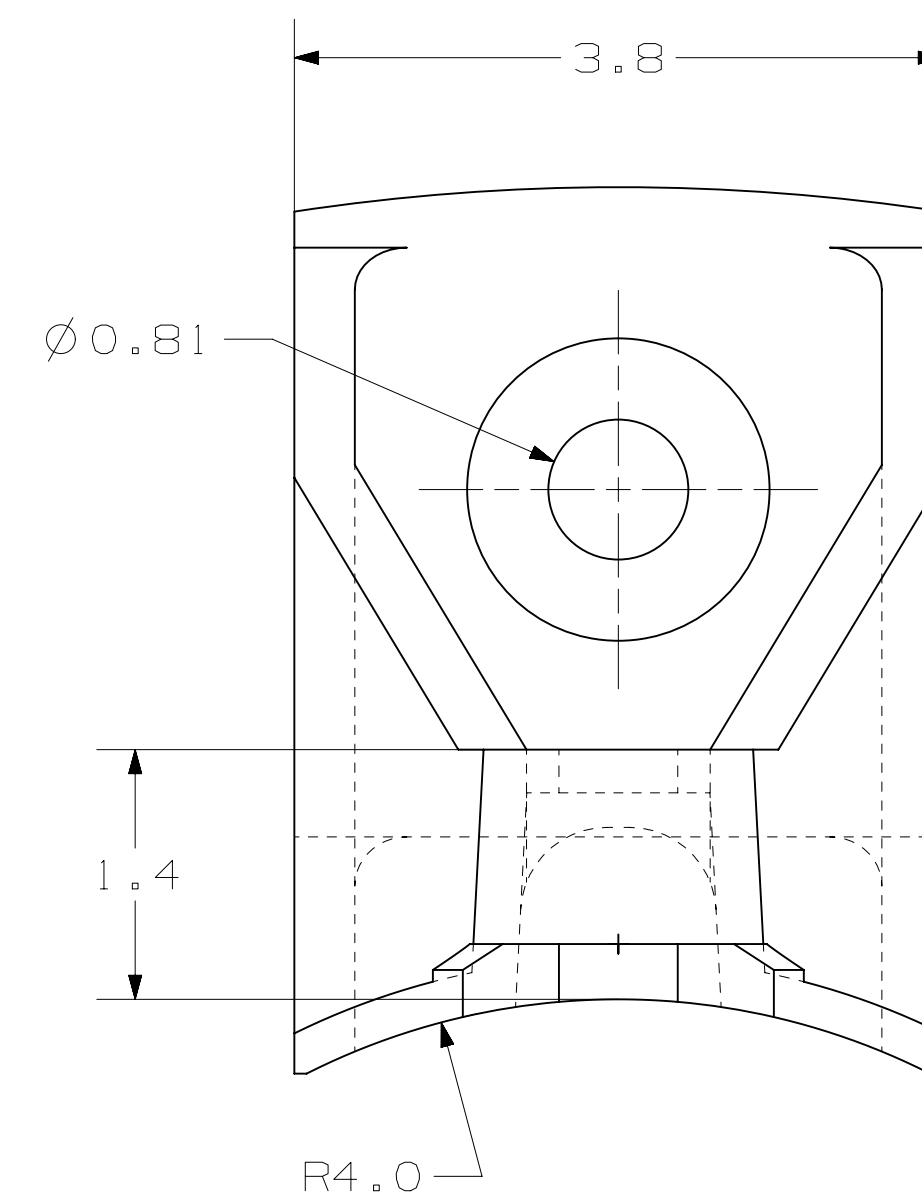
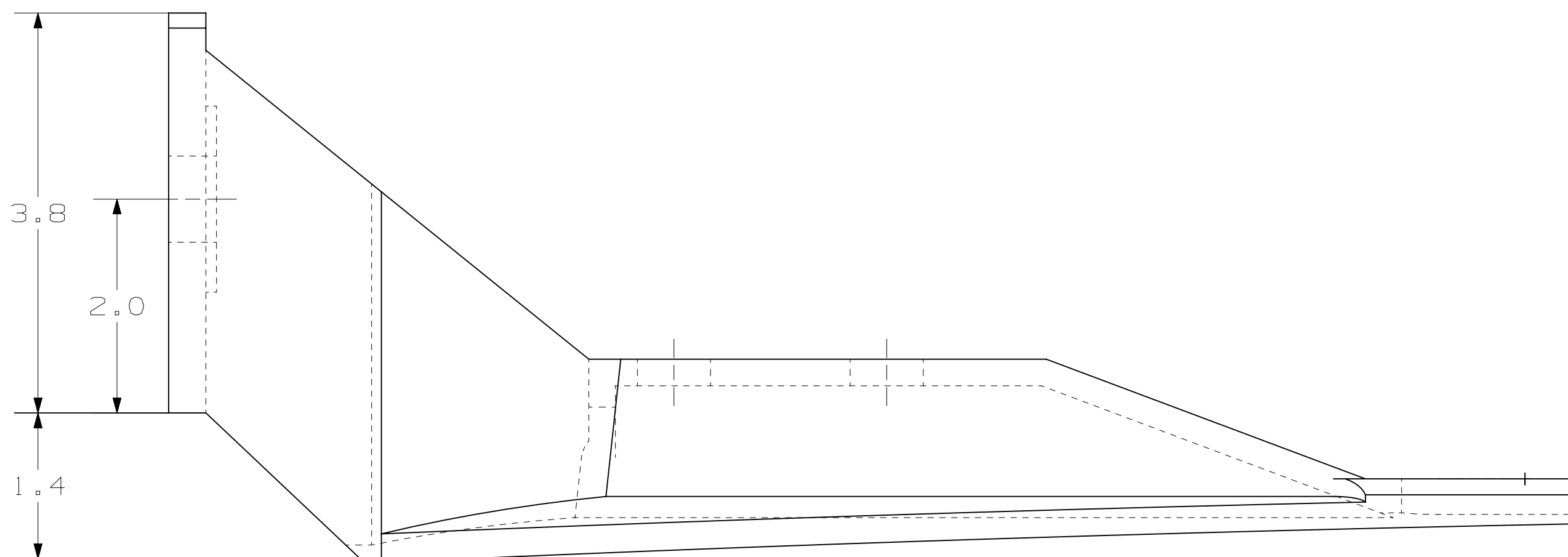


-NOTES-

1. MATERIAL: DUCTILE IRON GRADE 65-45-12 PER ASTM A536 (LATEST REVISION).
2. FINISH: HOT DIP GALVANIZE PER ASTM A153 (LATEST REVISION).
3. BRACKET CANTILEVER RATING: 30,000 IN*LBS.
4. PART IDENTIFIED WITH "CHANCE", "IB3", AND COUNTRY OF ORIGIN WHERE "XX" IS MANUFACTURER'S ID.



CATALOG NO. IB3



LATEST EC NO:		REV.	DATE	CHANGED BY	RESP ENGINEER
-----		C	04/02/14	WILSON	-----
DO NOT SCALE THIS DWG				THIRD ANGLE PROJECTION	
				ISO DUAL DIMENSIONS IN=INCH, MM=MILLIMETER	
DRN BY:	DATE	TITLE:			SIZE
WILSON	04/20/11	POLE TOP BRKT			C
		DWG NO:		SAIB3	

CONFIDENTIAL: THIS DRAWING AND ITS CONTENTS ARE CONFIDENTIAL AND THE EXCLUSIVE PROPERTY OF HUBBELL / A.B. CHANCE COMPANY. NO PUBLICATION, DISTRIBUTION OR COPIES MAY BE MADE WITHOUT WRITTEN CONSENT BY HUBBELL / A.B. CHANCE COMPANY. © 2001 HUBBELL/A.B. CHANCE. UNPUBLISHED - ALL RIGHTS RESERVED UNDER THE COPYRIGHT LAWS