



Cordsets & Field Attachables

Bulletin Numbers 871A, 879D, 879P, 888B, 888D, 888H, 888M, 888N, 888P, 888R, 889, 889B, 889D, 889M, 889N, 889P, 889R, 898P, 898R, 889S, 889V, 889W, 889Z

Topic	Page
Mini Style	2
Mini-Plus Style	12
DC Micro Style	16
AC Micro Style	32
EAC Micro Style	41
Pico Style	43
M23 Style	54
DIN Valve Syle	57
Insulation Displacement Connectors (IDC)	63
Cable Spools	64

Cordsets & Patchcords, Mini Style

16 AWG, STOOW PVC



4-Pin Straight Mini Cordset

Specifications

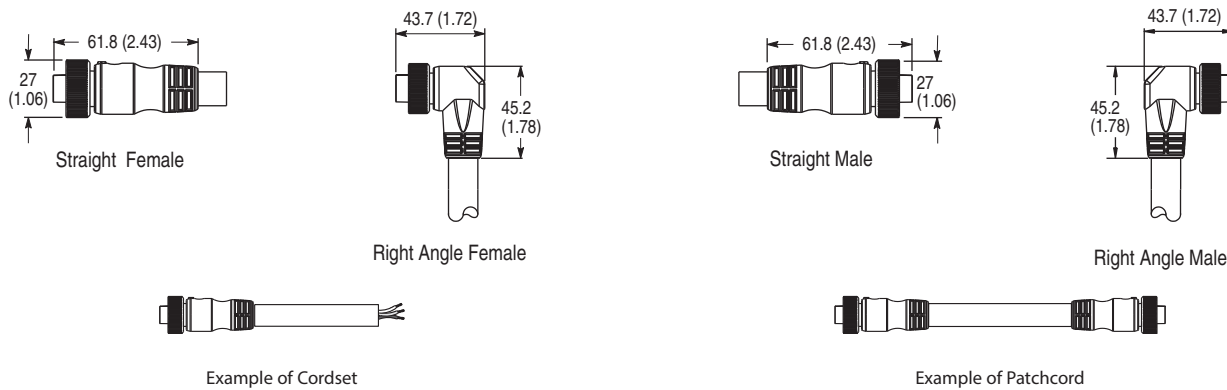
Certifications	UL Recognized and CSA Certified
Mechanical	
Coupling Nut Material	Epoxy-coated zinc
Housing Material	Molded oil-resistant TPE
Contact Material	Gold-plated palladium/nickel
Cable Type	Oil-resistant yellow PVC jacket, 16 AWG stranded copper, 600V; UL Recognized and CSA Certified, STOOW-A
Bend Radius	10x diameter
Cable Diameter [mm (in.)]	2/c = 10 (0.40) 3/c = 10 (0.40) 4/c = 11 (0.43) 5/c = 13 (0.51) 6/c = 14 (0.55)
Electrical	
Cable Rating	UL STOOW VW-1 105C 600V, CSA ST 105C 600V FT2, UV oil and water resistant
Assembly Rating	2-pin = 600V, 13 A 3-pin = 600V, 13 A 4-pin = 600V, 10 A 5-pin = 600V, 8 A 6-pin = 600V, 8 A
Environmental	
Enclosure Type Rating	NEMA 4, 6P, 12, 13; IP67; 1200 psi washdown, IP69K
Temperature Rating [C (F)]	-20...+105° (-4...+221°)

Mating Components & Accessories

Description	Cat. No.
Coupling Adaptors	889A-NADPT

Approximate Dimensions

Dimensions are in millimeters (inches). Illustrations are not drawn to scale.



Pinout and Color Code

Color Code	Face View Pinout									
	2-Pin		3-Pin		4-Pin		5-Pin		6-Pin	
	Female	Male	Female	Male	Female	Male	Female	Male	Female	Male
A (US)	1 White 2 Black	1 Green 2 Black 3 White	1 Black 2 White	3 Red 4 Green	1 White 2 Red 3 Green	4 Orange 5 Black	1 White 2 Red 3 Green 4 Orange 5 Black 6 Blue	—	—	—
B (Auto)	—	1 Green 2 Red/Black Tr 3 Red/White Tr	1 Red/Black Tr 2 Red/White Tr	3 Red 4 Green	1 Red/White Tr 2 Red 3 Green 4 Red/Yellow Tr 5 Red/Black Tr	—	—	—	—	—
C (IEC)	—	—	1 Black 2 Blue	3 Brown 4 White	1 Black 2 Blue 3 Orange	4 Brown 5 White	1 Blue 2 Orange 3 Red	4 White 5 Brown 6 Black	—	—



4-Pin Straight Mini Cordset

Specifications

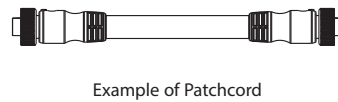
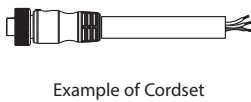
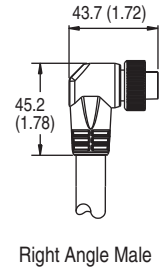
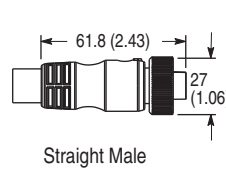
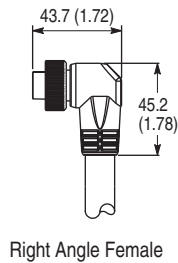
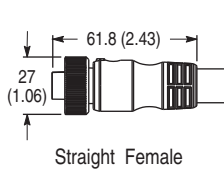
Certifications	UL Recognized and CSA Certified
Mechanical	
Coupling Nut Material	Epoxy-coated zinc
Housing Material	Molded oil-resistant TPE
Contact Material	Gold-plated palladium/nickel
Cable Type	Oil-resistant yellow PVC jacket, 18 AWG stranded copper, 300V; UL Recognized and CSA Certified
Bend Radius	10x diameter
Cable Diameter [mm (in.)]	2/c = 6 (0.24) 3/c = 6 (0.25) 4/c = 7 (0.27) 5/c = 8 (0.31) 6/c = 8 (0.32)
Electrical	
Cable Rating	UL AWM style 2661 VW-1 105C 300V, CSA AWM A/B I/II 80C 300V FT1, UV oil and water resistant
Assembly Rating	2-pin = 300V, 10 A 3-pin = 300V, 10 A 4-pin = 300V, 7 A 5-pin = 300V, 5.6 A 6-pin = 300V, 5.6 A
Environmental	
Enclosure Type Rating	NEMA 4, 6P, 12, 13; IP67; 1200 psi washdown, IP69K
Temperature Rating [C (F)]	-20...+105° (-4...+221°)

Mating Components & Accessories

Description	Cat. No.
Coupling Adaptors	889A-NADPT

Approximate Dimensions

Dimensions are in millimeters (inches). Illustrations are not drawn to scale.



Pinout and Color Code

Color Code	Face View Pinout											
	2-Pin		3-Pin			4-Pin		5-Pin		6-Pin		
	Female	Male	Female	Male	Female	Male	Female	Male	Female	Male		
A (US)	1 White 2 Black	—	1 Green 2 Black 3 White	—	1 Black 2 White 3 Red 4 Green	—	1 White 2 Red 3 Green 4 Orange 5 Black	—	1 White 2 Red 3 Green 4 Orange 5 Black 6 Blue	—		
B (Auto)	—	—	1 Green 2 Red/Black Tr 3 Red/White Tr	—	1 Red/Black Tr 2 Red/White Tr 3 Red 4 Green	—	1 Red/White Tr 2 Red 3 Green 4 Red/Yellow Tr 5 Red/Black Tr	—	—	—		
C (IEC)	—	—	—	—	1 Black 2 Blue 3 Brown 4 White	—	1 Black 2 Blue 3 Grey 4 Brown 5 White	—	—	—		

Cordsets & Patchcords, Mini Style

16 AWG, ToughLink™ and ToughWeld™



4-Pin Straight Mini Cordset

Specifications

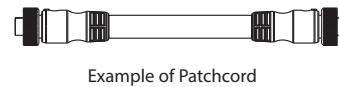
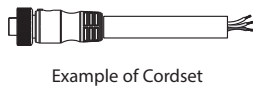
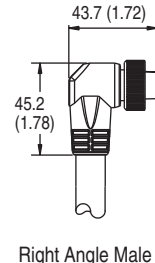
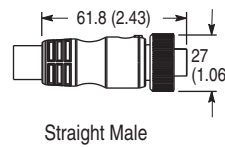
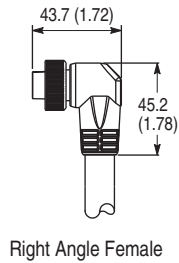
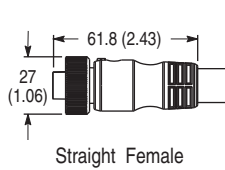
Certifications	UL Recognized and CSA Certified
Mechanical	
Coupling Nut Material	Epoxy-coated zinc
Housing Material	Molded oil-resistant TPE
Contact Material	Gold-plated palladium/nickel
Cable Type	ToughLink: Oil-resistant yellow TPE jacket, 16 AWG stranded copper, 600V; UL Recognized and CSA Certified, SEOOW ToughWeld: Oil-resistant yellow CPE thermoset jacket, 16 AWG stranded copper, 600V; UL Recognized and CSA Certified, SOOW
Bend Radius	10x diameter
Cable Diameter [mm (in.)]	3/c = 10 (0.41) 4/c = 11 (0.44) 5/c = 13 (0.52)
Electrical	
Cable Rating	ToughLink: UL SEOOW VW-1 105C -50C 600V water resistant, CSA STOO FT-1 600V; ToughWeld: UL SOOW 105C 600V water resistant, CSA -50C FT-1 600V
Assembly Rating	3-pin = 600V, 13 A 4-pin = 600V, 10 A 5-pin = 600V, 8 A
Environmental	
Enclosure Type Rating	NEMA 4, 6P, 12, 13; IP67; 1200 psi washdown, IP69K
Temperature Rating [C (F)]	-50...+105° (-58...+221°)

Mating Components & Accessories

Description	Cat. No.
Coupling Adaptors	889A-NADPT

Approximate Dimensions

Dimensions are in millimeters (inches). Illustrations are not drawn to scale.



Pinout and Color Code

Color Code	Face View Pinout					
	3-Pin		4-Pin		5-Pin	
	Female	Male	Female	Male	Female	Male
A (US)	1 Green 2 Black 3 White	1 Black 2 White	1 Black 2 White 3 Red 4 Green	1 Black 2 White 3 Red 4 Green	1 White 2 Red 3 Green	4 Orange 5 Black

Cordsets & Patchcords, Mini Style

18 AWG, TPE and ToughWeld™



4-Pin Straight Mini Cordset

Specifications

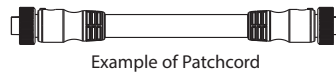
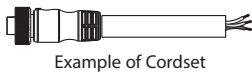
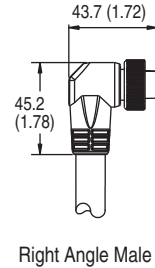
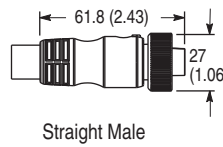
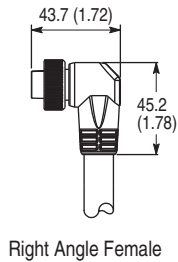
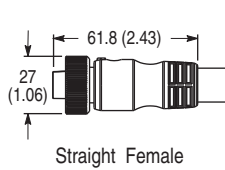
Certifications	UL Recognized and CSA Certified
Mechanical	
Coupling Nut Material	Epoxy-coated zinc
Housing Material	Molded oil-resistant TPE
Contact Material	Gold-plated palladium/nickel
Cable Type	Oil-resistant yellow TPE or CPE jacket, 18 AWG stranded copper, 300V; UL Recognized and CSA Certified
Bend Radius	10x diameter
Cable Diameter [mm (in.)]	TPE: 3/c = 6 (0.25), 4/c = 7 (0.27), 5/c = 8 (0.32) ToughWeld: 3/c = 8 (0.32), 4/c = 9 (0.36), 5/c = 10 (0.38)
Electrical	
Cable Rating	TPE: UL AWM style 20327 VW-1 105C 300V, CSA AWM A/B I/II 105C 300V FT1, UV oil and water resistant ToughWeld: UL SJOOW 105C 300V water resistant, CSA -50C FT-1 300V
Assembly Rating	3-pin = 300V, 10 A 4-pin = 300V, 7 A 5-pin = 300V, 5.6 A
Environmental	
Enclosure Type Rating	NEMA 4, 6P, 12, 13; IP67; 1200 psi washdown, IP69K
Temperature Rating [C (F)]	-50...+105° (-58...+221°)

Mating Components & Accessories

Description	Cat. No.
Coupling Adaptors	889A-NADPT

Approximate Dimensions

Dimensions are in millimeters (inches). Illustrations are not drawn to scale.



Pinout and Color Code

Color Code	Face View Pinout					
	3-Pin		4-Pin		5-Pin	
	Female	Male	Female	Male	Female	Male
A (US)	1 Green 2 Black 3 White	1 Black 2 White 3 Red 4 Green	1 White 2 Red 3 Green 4 Orange 5 Black	1 Red/White Tr 2 Red 3 Green	4 Red/Yellow Tr 5 Red/Black Tr	
B (Auto)	1 Green 2 Red/Black Tr 3 Red/White Tr	1 Red/Black Tr 2 Red/White Tr	3 Red 4 Green			

Cordsets & Patchcords, Mini Style

PLTC, 18 AWG, Grey PVC



4-Pin Straight Mini Cordset

Specifications

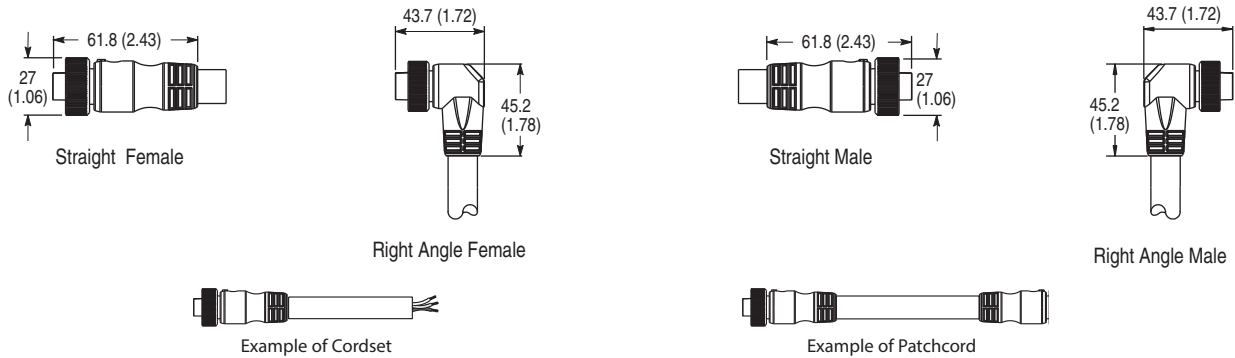
Certifications	UL Recognized and CSA Certified
Mechanical	
Coupling Nut Material	Epoxy-coated zinc
Housing Material	Molded oil resistant TPE
Contact Material	Gold over nickel-plated brass
Cable Type	Oil-resistant grey PVC jacket, 18 AWG conductors, 300V, UL Listed and CSA Certified
Bend Radius	10x diameter
Electrical	
Cable Rating	UL PLTC AWM Style 2661VW-1 105C 300V, CSA AWM A/B 1/II 80C 300V FT1, UV oil and water resistant
Assembly Rating	4-pin = 300V, 7 A 5-pin = 300V, 5.6 A 6-pin = 300V, 5.6 A
Environmental	
Enclosure Type Rating	NEMA 4, 6P, 12, 13; IP67; 1200 psi washdown, IP69K
Temperature Rating [C (F)]	-20...+105° (-4...+221°)

Mating Components & Accessories

Description	Cat. No.
Coupling Adaptors	889A-NADPT

Approximate Dimensions

Dimensions are in millimeters (inches). Illustrations are not drawn to scale.



Pinout and Color Code

Color Code	Face View Pinout					
	4-Pin		5-Pin		6-Pin	
	Female	Male	Female	Male	Female	Male
IEC A	1 Black 2 Blue	3 Brown 4 White	1 Black 2 Blue 3 Grey	4 Brown 5 White	1 White 2 Red 3 Green	4 Orange 5 Black 6 Blue
US B	1 Black 2 White	3 Red 4 Green	1 White 2 Red 3 Green	4 Orange 5 Black	1 White 2 Red 3 Green	4 Orange 5 Black 6 Blue

Cordsets & Patchcords, Mini Style

LED or Coil Cables, PVC



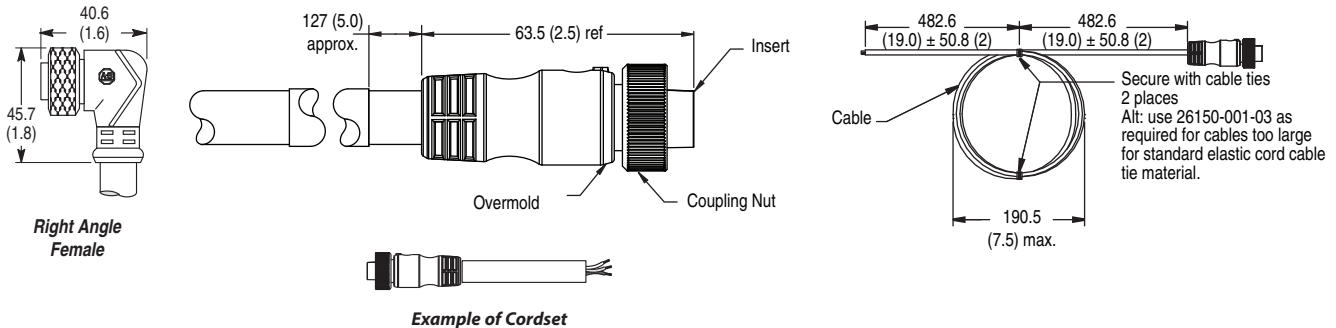
3-Pin Illuminated Mini Cordset

Specifications

Certifications	UL Recognized and CSA Certified
Mechanical	
Coupling Nut Material	Epoxy-coated zinc
Housing Material	Molded oil-resistant PUR
Contact Material	Gold-plated palladium/nickel
Cable Type	Oil-resistant yellow PVC jacket, 18 AWG stranded copper, illuminated, 300V; UL Recognized and CSA Certified
Bend Radius	10x diameter
Cable Diameter [mm (in.)]	3/c = 7.4 (0.29) 4/c = 7.1 (0.28)
Electrical	
Cable Rating	LED models: UL AWM style 2661 VW-1 105C 300V, CSA AWM A/B I/II 80C 300V FT1, UV oil and water resistant Coiled Cable: 300V, UL style 20197, CSA AWM 1/11 A/B
Assembly Rating	3-pin = 120V, 3 A for 18 AWG, 6 A for 16 AWG 4-pin = 120V, 3 A for 18 AWG, 6 A for 16 AWG
Environmental	
Enclosure Type Rating	NEMA 4, 6P, 12, 13; IP67; 1200 psi washdown, IP69K
Temperature Rating [C (F)]	-20...+105° (-4...+221°)

Approximate Dimensions

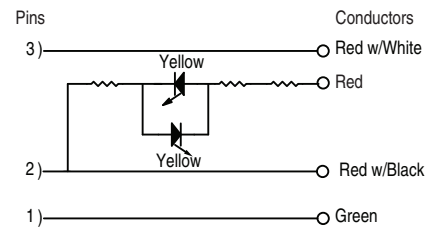
Dimensions are in millimeters (inches). Illustrations are not drawn to scale.



Pinout and Color Code

	Face View Pinout	
	3-Pin	4-Pin
Color Code	Female	Female
A	1 Green 2 Red/Black Tr 3 Red/White Tr	1 Red/Black Tr 2 Red/White Tr 3 Red 4 Green

Typical Wiring Diagrams



T-Ports, Mini Style

Tap-Style Wiring



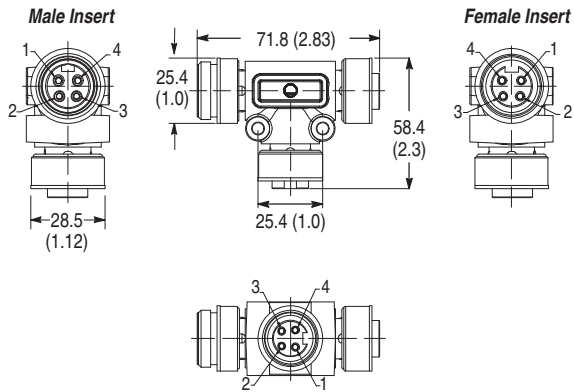
Tap-Style Wiring

Specifications

Certifications	UL Recognized and CSA Certified
Mechanical	
Coupling Nut Material	Black epoxy-coated zinc
Housing Material	TPE
Contact Material	Gold-plated palladium/nickel
Electrical	
Assembly Rating	300V, 8 A
Environmental	
Enclosure Type Rating	IP67, NEMA 6P, 1200 psi (8270 kPa) washdown
Operating Temperature [C (F)]	-25...+70° (-13...+158°)

Approximate Dimensions

Dimensions are in millimeters (inches). Illustrations are not drawn to scale.



Note: 4-pin version shown.

Pinout and Color Code

Face View Pinout					
3-Pin		4-Pin		5-Pin	
Female	Male	Female	Male	Female	Male

Receptacles, Mini Style

16 & 18 AWG, 1/2 in. NPT Mount



2-Pin Mini Female Receptacle



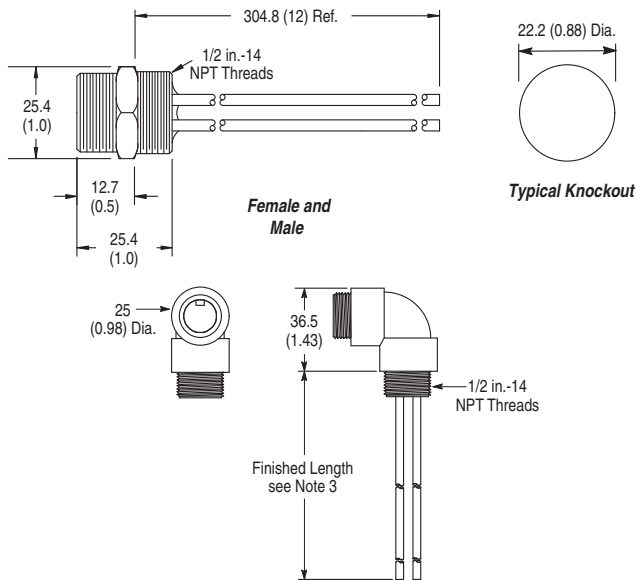
4-Pin Mini Male Receptacle

Specifications

Certifications	UL Recognized and CSA Certified
Mechanical	
Coupling Nut Material	Black epoxy-coated zinc
Contact Material	Gold-plated palladium/nickel
Insert Material	PVC
Conductors	16 & 18 AWG, PVC insulation
Electrical	
Assembly Rating	2-pin = 16 AWG: 600V, 13 A; 18 AWG: 300V, 8 A 3-pin = 16 AWG: 600V, 13 A; 18 AWG: 300V, 8 A 4-pin = 16 AWG: 600V, 10 A; 18 AWG: 300V, 8 A 5-pin = 16 AWG: 600V, 8 A; 18 AWG: 300V, 8 A 6-pin = 16 AWG: 600V, 8 A; 18 AWG: 300V, 8 A
Environmental	
Enclosure Type Rating	NEMA 6P; IP67; 1200 psi washdown
Operating Temperature [C (F)]	-20...+105° (-4...+221°)

Approximate Dimensions

Dimensions are in millimeters (inches). Illustrations are not drawn to scale.



Mating Components & Accessories

Description	Cat. No.
1/2 inch-14 NPT mounting nut★	889A-U1NUT-10
1/2 inch-14 NPT flat sealing washer★	889A-U1FSL-10

★ Sold in bags of 10.

Pinout and Color Code

Color Code	Face View Pinout									
	2-Pin		3-Pin		4-Pin		5-Pin		6-Pin	
	Female	Male	Female	Male	Female	Male	Female	Male	Female	Male
A (US)	1 White 2 Black	—	1 Green 2 Black 3 White	—	1 Black 2 White	3 Red 4 Green	1 White 2 Red 3 Green	4 Orange 5 Black	1 White 2 Red 3 Green	4 Orange 5 Black 6 Blue
B (Auto)	—	—	1 Green 2 Red/Black Tr 3 Red/White Tr	—	1 Red/Black Tr 2 Red/White Tr	3 Red 4 Green	1 Red/White Tr 2 Red 3 Green 4 Red/Yellow Tr 5 Red/Black Tr	—	—	—
C (IEC)	—	—	—	—	1 Black 2 Blue	3 Brown 4 White	1 Black 2 Blue 3 Grey	4 Brown 5 White	—	—

Terminal Chambers, Mini Style

Screw Type, Field Attachable Connector



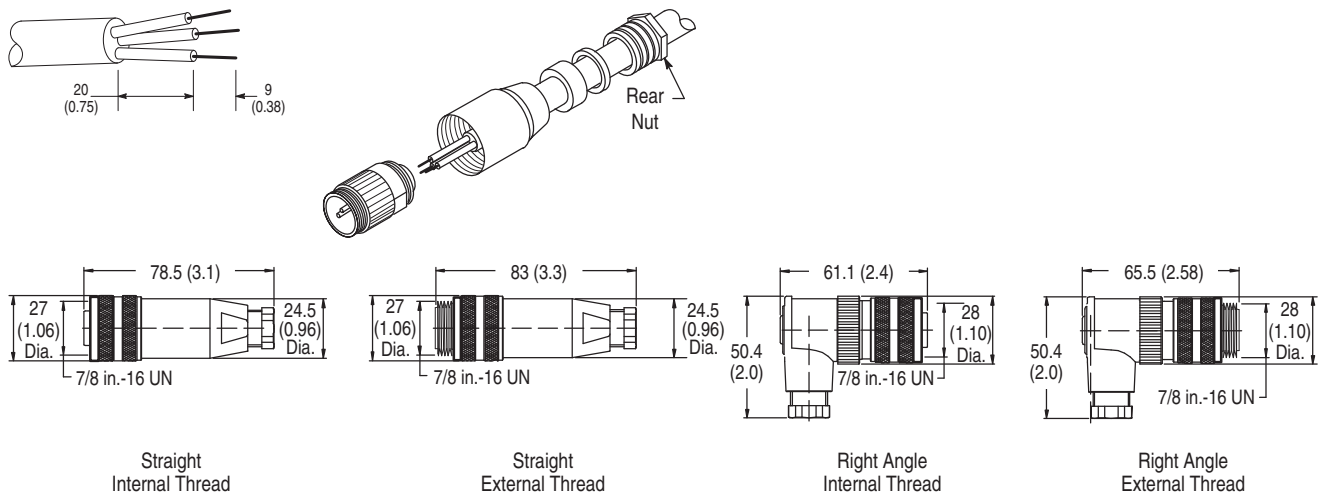
3-Pin Mini Female Terminal Chamber

Specifications

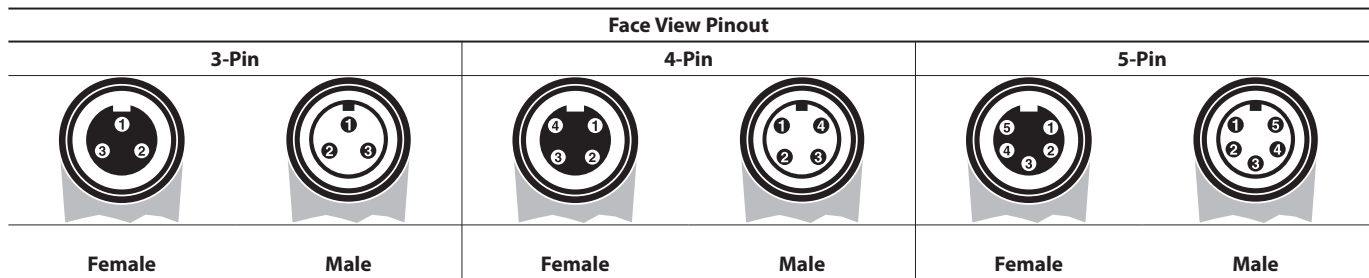
Mechanical	
Coupling Nut Material	Black anodized aluminum
Connector Shell Material	PBT
Contact Material	Gold-plated brass
Wire Size, Max.	16 AWG (1.5 mm ²)
Environmental	
Enclosure Type Rating	IP67
Operating Temperature [C (F)]	-40...+85° (-40...+185°)

Approximate Dimensions

Dimensions are in millimeters (inches). Illustrations are not drawn to scale.



Pinout



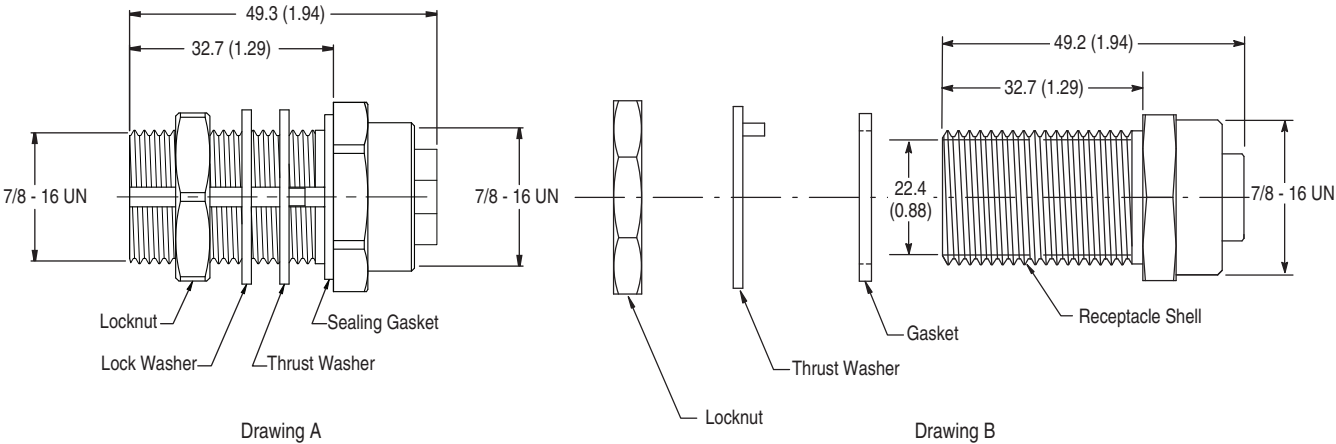


Specifications

Certifications	UL Recognized and CSA Certified
Mechanical	
Material	Nickel-plated brass/gold
Lock Nut	Nickel-plated brass
Contact Material	Gold-plated palladium/nickel
Gasket Material	Neoprene
Thrust Washer	Nylon
Connector Insert Material	PVC
Environmental	
Enclosure Type Rating	NEMA 4, 6P, 12, 13; IP67; 1200 psi washdown
Operating Temperature [C (F)]	-40...+105° (-40...+221°)
Assembly Rating	600V, 9.0 A

Approximate Dimensions

Dimensions are in millimeters (inches). Illustrations are not drawn to scale.



Pinout

Face View Pinout							
3-Pin		4-Pin		5-Pin		6-Pin	
Female	Male	Female	Male	Female	Male	Female	Male

Cordsets & Patchcords, Mini-Plus Style

16 AWG, ST00W-A, 7- and 8-Pin



8-Pin Mini-Plus Cordset



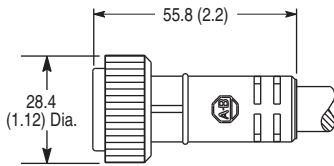
8-Pin Mini-Plus Straight to Straight Patchcord

Specifications

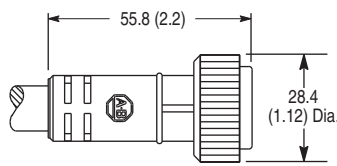
Certifications	UL Recognized and CSA Certified
Mechanical	
Coupling Nut Material	Brass nickel, 16 AWG Epoxy-coated zinc, 18 AWG
Housing Material	TPU yellow
Contact Material	Gold-plated machined brass
Cable Type	Oil-resistant yellow PVC jacket, 16 or 18 AWG stranded copper, 600V or 300V; UL Recognized and CSA Certified, ST00W
Bend Radius	10x diameter
Cable Diameter [mm (in.)]	7/c = 14 (0.55) 8/c = 15 (0.59)
Electrical	
Cable Rating	16 AWG: UL ST00W 90C 600V, CSA ST 105C FT2 18 AWG: UL AWM style 2517 or 2661 105C 300V, CSA AWM A/B I/II 105C 300V FT1
Assembly Rating	16 AWG: 600V, 7 A 18 AWG: 300V, 3 A
Environmental	
Enclosure Type Rating	NEMA 1, 3, 4, 6P, 12, 13; IP68; 1200 psi washdown
Temperature Rating [C (F)]	-40...+105° (-40...+221°)

Approximate Dimensions

Dimensions are in millimeters (inches). Illustrations are not drawn to scale.



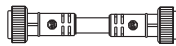
Straight Female



Straight Male



Example of Cordset



Example of Patchcord

Mating Components & Accessories

Description	Cat. No.
Coupling Adaptor	889A-N2ADPT

Pinout and Color Code

Color Code	Face View Pinout			
	7-Pin		8-Pin	
	Female	Male	Female	Male
A	1 White/Black Tr 2 Black 3 White 4 Red	5 Orange 6 Blue 7 Green	1 Orange 2 Blue 3 White/Black Tr 4 Black	5 White 6 Red 7 Green 8 Red/Black Tr
B	1 Black 2 White 3 Blue 4 Brown	5 Grey★ 6 Yellow★ 7 Green	1 Red 2 White 3 Blue 4 Brown	5 Grey 6 Yellow 7 Green 8 Pink

★ 20 AWG conductors

Cordsets & Patchcords, Mini-Plus Style

16 AWG, ST00W-A, 9-, 10-, and 12-Pin



10-Pin Mini-Plus Cordset

Specifications

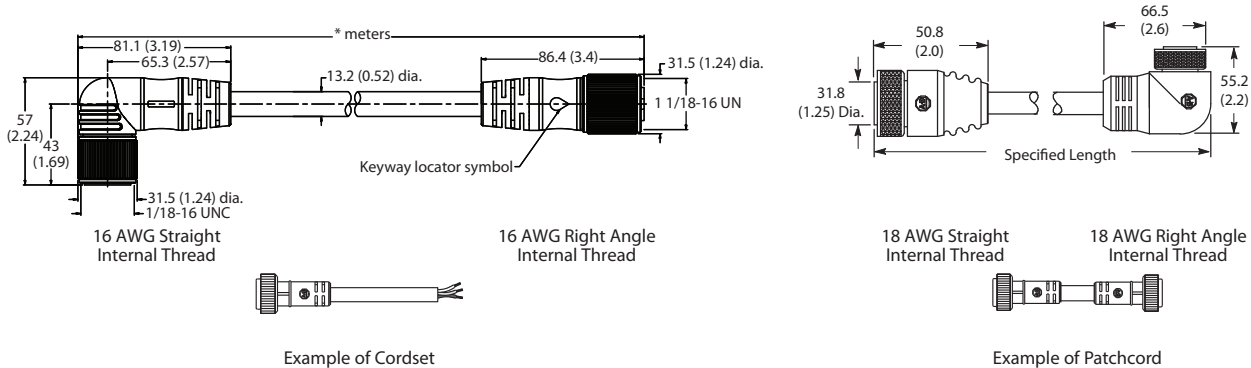
Certifications	UL Recognized and CSA Certified
Mechanical	
Coupling Nut Material	Brass nickel, 16 AWG Epoxy-coated zinc, 18 AWG
Housing Material	TPU yellow
Contact Material	Gold-plated machined brass
Cable Type	Oil-resistant yellow PVC jacket, 16 or 18 AWG stranded copper, 600V or 300V; UL Recognized and CSA Certified, ST00W
Bend Radius	10x diameter
Cable Diameter [mm (in.)]	16 AWG 9/c = 17 (0.67) 16 AWG 10/c = 17 (0.67) 16 AWG 12/c = 18 (0.71) 18/22 AWG 12/c = 9 (0.36)
Electrical	
Cable Rating	16 AWG: UL ST00W 90C 600V, CSA ST 105C FT2 18 AWG: UL AWM style 2517 or 2661 105C 300V, CSA AWM A/B I/II 105C 300V FT1
Assembly Rating	16 AWG: 600V, 7 A 18 AWG: 300V, 3 A
Environmental	
Enclosure Type Rating	NEMA 1, 3, 4, 6P, 12, 13; IP68; 1200 psi washdown
Temperature Rating [C (F)]	-40...+105° (-40...+221°)

Mating Components & Accessories

Description	Cat. No.
Coupling Adaptor	889A-N3ADPT

Approximate Dimensions

Dimensions are in millimeters (inches). Illustrations are not drawn to scale.



Pinout and Color Code

Color Code	Face View Pinout					
	9-Pin		10-Pin		12-Pin	
	Female	Male	Female	Male	Female	Male
A	1 Orange 2 Blue 3 Red/Black Tr 4 Green/Black Tr 5 White	6 Red 7 Green 8 White/Black Tr 9 Black	1 Orange 2 Blue 3 White/Black Tr 4 Red/Black Tr 5 Green/Black Tr	6 Orange/Black Tr 7 Red 8 Green 9 Black 10 White	1 Orange 2 Blue 3 White/Black Tr 4 Red/Black Tr 5 Green/Black Tr 6 Orange/Black Tr	7 Blue/Black Tr 8 Black/White Tr 9 Green 10 Red 11 White 12 Black
B	—	—	—	—	1 White 2 Green 3 Yellow 4 Grey 5 Rose 6 Red	7 Black 8 Violet 9 Green/Yellow★ 10 Orange 11 Blue★ 12 Brown★

★ 18 AWG conductors

Cordsets & Patchcords, Mini-Plus Style

16 AWG, PVC, 7- and 8-Pin



7-Pin Mini-Plus Female Receptacle

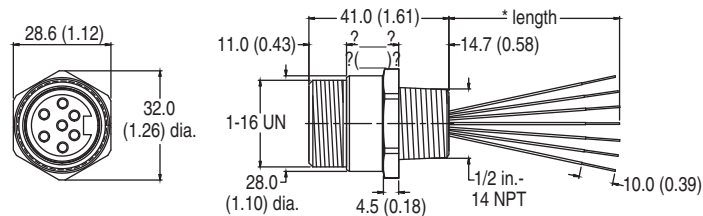
Mating Components & Accessories

Description	Cat. No.
1/2 inch-14 NPT mounting nut★	889A-U1NUT-10
1/2 inch-14 NPT flat sealing washer★	889A-U1FSL-10

★ Sold in bags of 10.

Approximate Dimensions

Dimensions are in millimeters (inches). Illustrations are not drawn to scale.



Specifications

Certifications	UL Recognized and CSA Certified
Mechanical	
Receptacle Shell Material	Machined anodized aluminum with clear sealant
Connector Insert Material	TPU/Yellow
Contact Material	Gold-plated machined brass
Insulation Material	Oil-resistant yellow PVC jacket, 16 AWG stranded copper, 600V; UL Recognized and CSA Certified, ST00W
Electrical	
Assembly Rating	16 AWG: 600V AC/DC, 8 A 18 AWG: 300V AC/DC, 4.9 A
Environmental	
Enclosure Type Rating	NEMA 1, 3, 4, 6P; IP68; 1200 psi washdown
Operating Temperature [C (F)]	-30...+80° (-22...+176°)

Pinout and Color Code

Color Code	Face View Pinout			
	7-Pin		8-Pin	
	Female	Male	Female	Male
A	1 White/Black Tr 2 Black 3 White 4 Red	5 Orange 6 Blue 7 Green	1 Orange 2 Blue 3 White/Black Tr 4 Black	5 White 6 Red 7 Green 8 Red/Black Tr

Cordsets & Patchcords, Mini-Plus Style

16 AWG, PVC, 9-, 10-, and 12-Pin



12-Pin Mini-Plus Male Receptacle

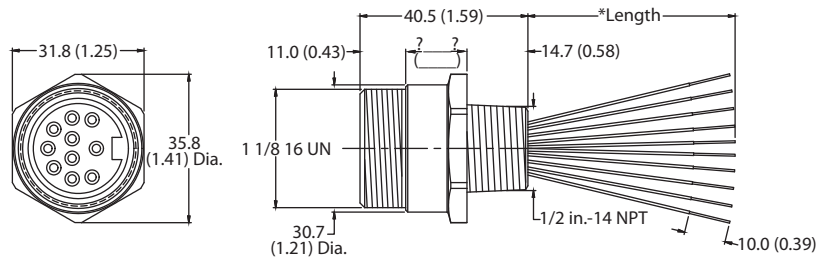
Mating Components & Accessories

Description	Cat. No.
1/2 inch-14 NPT mounting nut★	889A-U1NUT-10
1/2 inch-14 NPT flat sealing washer★	889A-U1FSL-10

★ Sold in bags of 10.

Approximate Dimensions

Dimensions are in millimeters (inches). Illustrations are not drawn to scale.



Pinout and Color Code

Color Code	Face View Pinout					
	9-Pin		10-Pin		12-Pin	
	Female	Male	Female	Male	Female	Male
A	1 Orange 2 Blue 3 Red/Black Tr 4 Green/Black Tr 5 White	6 Red 7 Green 8 White/Black Tr 9 Black	1 Orange 2 Blue 3 White/Black Tr 4 Red/Black Tr 5 Green/Black Tr	6 Orange/Black Tr 7 Red 8 Green 9 Black 10 White	1 Orange 2 Blue 3 White/Black Tr 4 Red/Black Tr 5 Green/Black Tr 6 Orange/Black Tr	7 Blue/Black Tr 8 Black/White Tr 9 Green 10 Red 11 White 12 Black

Cordsets & Patchcords, DC Micro Style

18 & 22 AWG, Yellow, Black, or Blue PVC



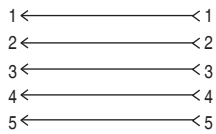
4-Pin DC Micro Cordset

Specifications

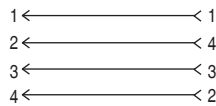
Certifications	UL Recognized and CSA Certified
Mechanical	
Coupling Nut Material	Epoxy-coated zinc
Material	Molded oil-resistant PUR
Contact Material	Gold over nickel-plated brass
Cable Type	Oil-resistant PVC jacket, 18 or 22 AWG conductors, 300V, UL Recognized and CSA Certified
Bend Radius	10 x diameter
Cable Diameter [mm (in.)]	2/c = 5 (0.21) 3/c = 5 (0.21) 4/c = 5 (0.21) 5/c = 6.5 (0.25) 4/c (18 AWG) = 6.5 (0.25)
Electrical	
Cable Rating	UL AWM style 2661 VW-1 105C 300V, CSA AWM A/B I/II 80C 300V FT1, UV oil and water resistant
Assembly Rating	250V, 4 A
Environmental	
Enclosure Type Rating	NEMA 6P, 1200 psi (8270 kPa) washdown, IP69K
Temperature Rating [C (F)]	-20...+105 ° (-4...+221 °)

Typical Wiring Diagrams

Standard Models

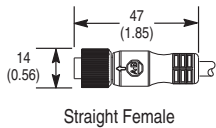


889D-*4ACD*-V* Models

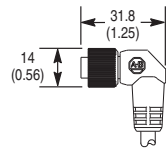


Approximate Dimensions

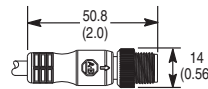
Dimensions are in millimeters (inches). Illustrations are not drawn to scale.



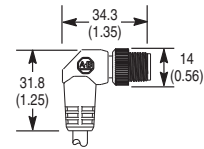
Straight Female



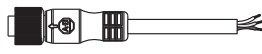
Right Angle Female



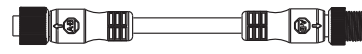
Straight Male



Right Angle Male



Example of Cordset



Example of Patchcord

Pinout and Color Code

Color Code	Face View Pinout							
	2-Pin		3-Pin		4-Pin		5-Pin	
A	1 NA 2 NA 3 Brown	4 Blue 5 NA	1 Brown 2 NA 3 Blue	4 Black 5 NA	1 Brown 2 White 3 Blue	4 Black 5 NA	1 Brown 2 White 3 Blue	4 Black 5 Grey
B	1 Brown 2 NA 3 NA	4 Blue 5 NA	—		—		—	

Cordsets & Patchcords, DC Micro Style

22 AWG, Yellow PVC Shielded



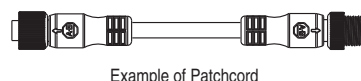
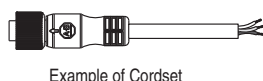
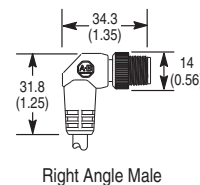
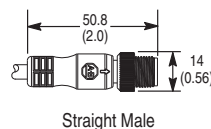
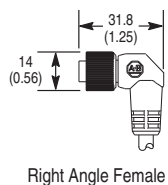
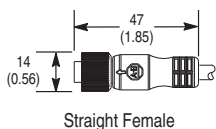
4-Pin DC Micro Cordset

Specifications

Certifications	UL Recognized and CSA Certified
Mechanical	
Coupling Nut Material	Epoxy-coated zinc
Material	Molded oil-resistant PUR
Contact Material	Gold over nickel-plated brass
Cable Type	Yellow oil-resistant PVC jacket, 22 AWG conductors, 300V, UL Recognized and CSA Certified
Bend Radius	10x diameter
Cable Diameter [mm (in.)]	4/c = 5 (0.21) 5/c = 6.5 (0.25)
Electrical	
Cable Rating	UL AWM style 2661 VW-1 105C 300V, CSA AWM A/B I/II 80C 300V FT1, UV oil and water resistant
Assembly Rating	250V, 4 A
Environmental	
Enclosure Type Rating	NEMA 6P, 1200 psi (8270 kPa) washdown, IP69K
Temperature Rating [C (F)]	-20...+105 ° (-4...+221 °)

Approximate Dimensions

Dimensions are in millimeters (inches). Illustrations are not drawn to scale.



Pinout and Color Code

Color Code	Face View Pinout			
	4-Pin		5-Pin	
	Female	Male	Female	Male
A	1 Brown 2 White 3 Blue	4 Black 5 NA	1 Brown 2 White 3 Blue	4 Black 5 Grey
B	1 Brown 2 White 3 Blue	4 Black 5 Drain wire	—	

Cordsets & Patchcords, DC Micro Style

18 & 22 AWG, PUR, TPE, or TPR



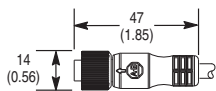
4-Pin DC Micro Cordset

Specifications

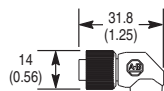
Certifications	UL Recognized and CSA Certified
Mechanical	
Coupling Nut Material	Epoxy-coated zinc
Material	Molded oil-resistant PUR
Contact Material	Gold over nickel-plated brass
Cable Type	Oil-resistant PVC jacket, 18 & 22 AWG or 24 AWG conductors, 300V; UL Recognized and CSA Certified
Bend Radius	10x diameter
Cable Diameter [mm (in.)]	4/c (PUR): 5 (0.21) 4/c (18 AWG TPE): 7 (0.28) 4/c (22 AWG TPE): 4.9 (0.19) 5/c: 6.5 (0.25) 7/c: 7.4 (0.29) 8/c: 7.4 (0.29)
Electrical	
Cable Rating	4 & 5/c (PUR): UL AWM style 20866 VW-1 80C 300V, CSA AWM A/B I/II 80C 300V FT1, UV oil and water resistant 8/c (PUR): UL AWM style 20866 90C 300V, CSA II A 90C 300V TPE: UL AWM style 20327 VW-1 105C 300V, CSA AWM A/B I/II 105C 300V FT1, UV oil and water resistant
Environmental	
Enclosure Type Rating	IP67, NEMA 6P, 1200 psi (8270 kPa) washdown, IP69K
Temperature Rating [C (F)]	PUR models: -20...+80 ° (-4...+176 °) TPE models: -50...+105 ° (-58...+221 °) TPR models: -25...+125 ° (-13...+256 °)

Approximate Dimensions

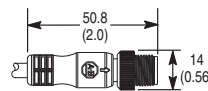
Dimensions are in millimeters (inches). Illustrations are not drawn to scale.



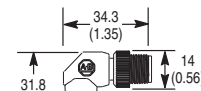
Straight Female



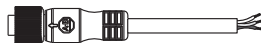
Right Angle Female



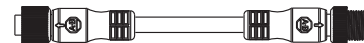
Straight Male



Right Angle Male



Example of Cordset



Example of Patchcord

Pinout and Color Code

Color Code	Face View Pinout							
	3-Pin	4-Pin		5-Pin		8-Pin		
	Female	Female	Male	Female	Male	Female	Male	
A	1 Brown 2 NA 3 Blue 4 Black 5 NA	1 Brown 2 White 3 Blue	4 Black 5 NA	1 Brown 2 White 3 Blue	4 Black 5 Grey	1 Red 2 Blue 3 Green 4 Yellow	5 Black 6 White 7 N.C. 8 Grey	
B	—	—	—	—	—	1 White 2 Brown 3 Green 4 Yellow	5 Grey 6 Pink 7 Blue 8 Red	

Cordsets & Patchcords, DC Micro Style

18 & 22 AWG, ToughLink™ or ToughWeld™



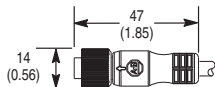
4-Pin DC Micro Cordset

Specifications

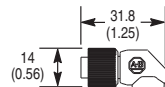
Certifications	UL Recognized and CSA Certified
Mechanical	
Coupling Nut Material	Epoxy-coated zinc
Material	Molded oil-resistant santoprene body
Contact Material	Gold over nickel-plated brass
Cable Type	Allen-Bradley ToughLink TPE or ToughWeld CPE yellow jacket, 18 or 22 AWG conductors, 300V; UL Recognized and CSA Certified
Bend Radius	10x diameter
Cable Diameter [mm (in.)]	ToughLink: 8 (0.32) ToughWeld: 9 (0.35)
Electrical	
Cable Rating	ToughLink: UL AWM style 20328 600V VW-1 105C to -50C water resistant, CSA AWM I/II A/B 105C 600V FT2 ToughWeld: UL -50C SJOOW 90C dry and 60C water resistant, CSA -50C SJOOW 90C FT1
Assembly Rating	250V, 3 A
Environmental	
Enclosure Type Rating	IP67, NEMA 6P, 1200 psi (8270 kPa) washdown, IP69K
Temperature Rating [C (F)]	-50...+105 ° (-58...+221 °)

Approximate Dimensions

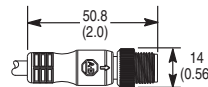
Dimensions are in millimeters (inches). Illustrations are not drawn to scale.



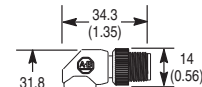
Straight Female



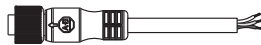
Right Angle Female



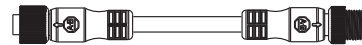
Straight Male



Right Angle Male



Example of Cordset



Example of Patchcord

Pinout and Color Code

Color Code	Face View Pinout	
	4-Pin	
	A	<p>1 Brown 2 White</p>

Cordsets & Patchcords, DC Micro Style

PLTC, 18 and 22 AWG, Grey PVC



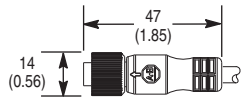
4-Pin DC Micro Cordset

Specifications

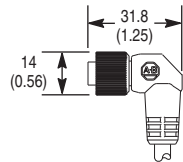
Certifications	UL Recognized and CSA Certified
Mechanical	
Coupling Nut Material	Epoxy-coated zinc
Housing Material	Molded oil-resistant PVC
Contact Material	Gold over nickel-plated brass
Cable Type	Oil-resistant grey PVC jacket, 18 or 22 AWG conductors, 300V UL Listed and CSA Certified
Bend Radius	10x diameter
Cable Diameter [mm (in.)]	4/c = 5.5 (0.22)
	5/c = 6.1 (0.24)
	4/c (18 AWG) = 6.6 (0.25)
Electrical	
Cable Rating	UL PLTC AWM Style 2661VW-1 105C 300V, CSA AWM A/B 1/11 80C 300V FT1, UV oil and water resistant
Assembly Rating	250V, 4 A
Environmental	
Enclosure Type Rating	IP67 & IP69K
Temperature Rating [C (F)]	-20...+105 ° (-4...+221 °)

Approximate Dimensions

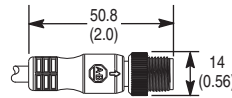
Dimensions are in millimeters (inches). Illustrations are not drawn to scale.



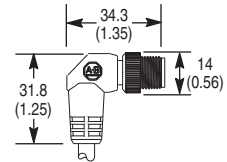
Straight Female



Right Angle Female



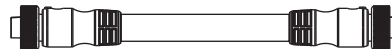
Straight Male



Right Angle Male



Example of Cordset



Example of Cordset

Pinout and Color Code

Color Code	Face View Pinout					
	2-Pin	3-Pin	4-Pin		5-Pin	
	Female	Male	Female	Male	Male	Male
A	1 NA 2 NA 3 Brown 4 Blue 5 NA	1 Brown 2 NA 3 Blue 4 Black 5 NA	1 Brown 2 White 3 Blue	4 Black 5 NA	1 Brown 2 White 3 Blue	4 Black 5 Grey

Cordsets & Patchcords, DC Micro Style

20 & 22 AWG, LED or Coiled

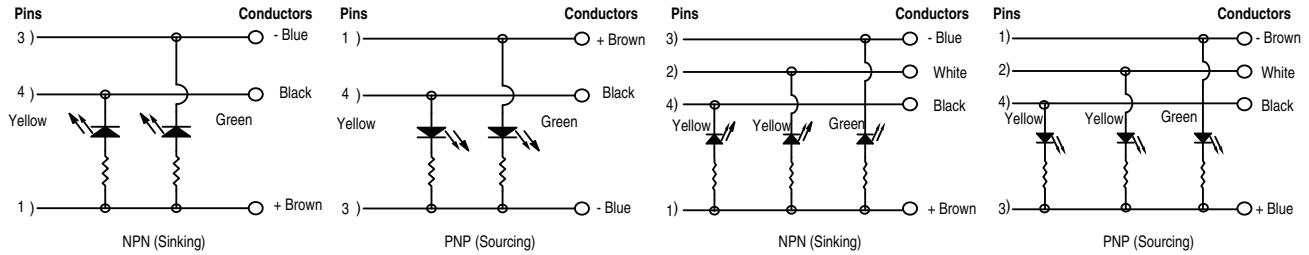


4-Pin DC Micro Cordset

Specifications

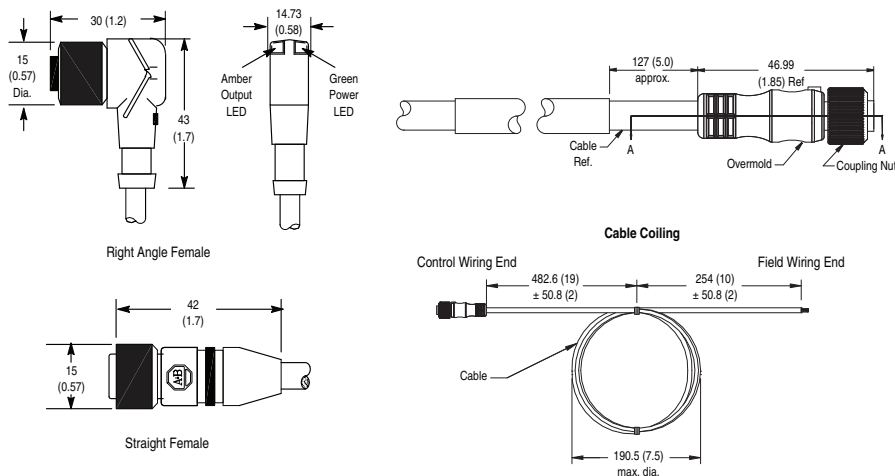
Certifications	UL Recognized and CSA Certified
Mechanical	
Coupling Nut Material	Epoxy-coated zinc
Material	Molded oil-resistant PVC
Contact Material	Gold over nickel-plated brass
Cable Type	Oil-resistant yellow PVC jacket, 20 or 22 AWG stranded copper, 300V, UL Recognized and CSA Certified
Bend Radius	10x diameter
Cable Diameter [mm (in.)]	LED: 5 (0.2) Coiled: 7.1 (0.28)
Electrical	
Cable Rating	LED models: UL AWM style 2661 VW-1 105C 300V, CSA AWM A/B I/II 80C 300V FT1, UV oil and water resistant
Assembly Rating	30V, 4 A
Environmental	
Enclosure Type Rating	IP67, NEMA 6P
Temperature Rating [C (F)]	-20...+105 ° (-4...+221 °)

Wiring Diagrams



Approximate Dimensions

Dimensions are in millimeters (inches). Illustrations are not drawn to scale.



Pinout and Color Code

Face View Pinout		
4-Pin		
Color Code		
A	1 Brown 2 Not Used	3 Blue 4 Black
B	1 Brown 2 White	3 Blue 4 Black

Cordsets & Patchcords, DC Micro Style

24 AWG, Pico to Micro, PVC



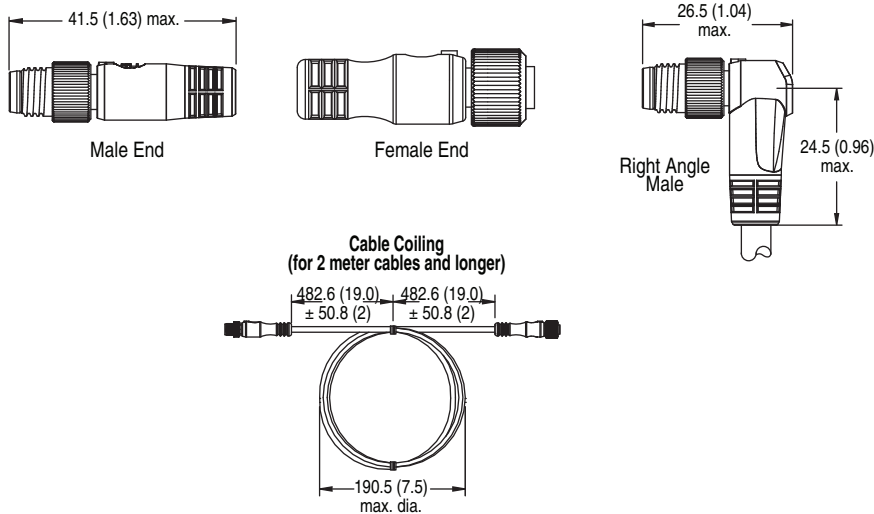
DC Micro to Pico Patchcord

Specifications

Certifications	UL Recognized and CSA Certified
Mechanical	
Coupling Nut Material	DC Micro: Black epoxy-coated zinc; Pico: Nickel-plated brass
Material	DC Micro: Molded oil-resistant PUR; Pico: Molded oil resistant TPE
Contact Material	Gold over nickel-plated brass
Cable Type	Oil-resistant yellow PVC jacket, 24 AWG conductors, 300V, UL Recognized and CSA Certified
Cable Diameter [mm (in.)]	3/c = 4.6 (0.18) 4/c = 4.6 (0.18)
Electrical	
Cable Rating	UL CM AWM style 2661 VW-1 105C 300V, CSA AWM A/B I/II 105C 300V FT1
Assembly Rating	60V AC/75V DC, 4 A
Environmental	
Enclosure Type Rating	Screw-type: IP67; Snap-on type: IP65
Temperature Rating [C (F)]	PVC and TPE models: -20...+105 ° (-4...+221 °) PUR models: -20...+80 ° (-4...+176 °)

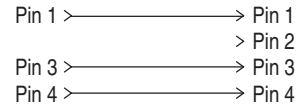
Approximate Dimensions

Dimensions are in millimeters (inches). Illustrations are not drawn to scale.

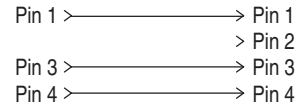


Typical Wiring Diagrams

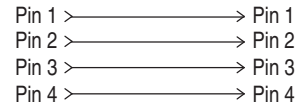
3-Pin Pico



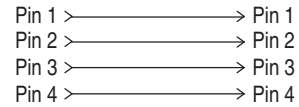
4-Pin DC Micro



4-Pin Pico Female



4-Pin DC Micro Male



Pinout

Pinout	Face View Pinout					
	A		B		C	
	Female	Male	Female	Male	Female	Male
	3-Pin Pico Female to 4-Pin DC Micro Male		4-Pin Pico Female to 4-Pin DC Micro Male		4-Pin DC Micro Female to 3-Pin Pico Male	

Cordsets & Patchcords, DC Micro Style

22 AWG, Yellow or Black PVC



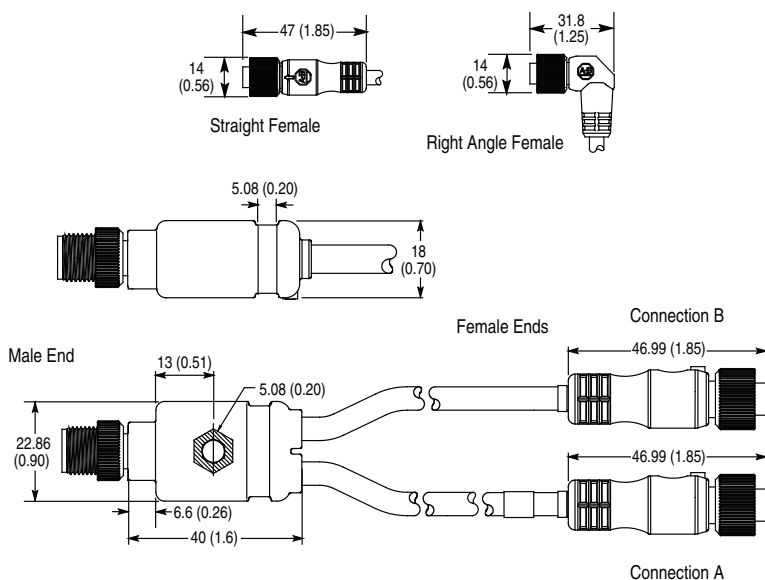
DC Micro V-Cable

Specifications

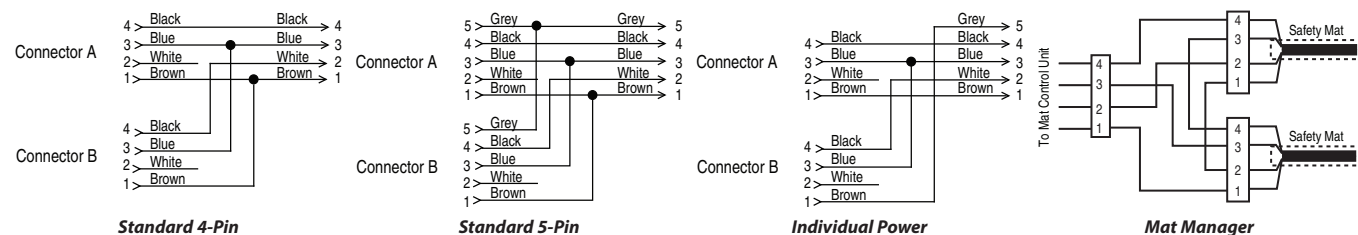
Certifications	UL Recognized and CSA Certified
Mechanical	
Coupling Nut Material	Epoxy-coated zinc
Connector Insert Material	Molded oil-resistant PUR
Contact Material	Gold over nickel-plated brass
Cable Type	Oil-resistant PVC jacket, 22 AWG conductors, 300V
Cable Diameter [mm (in.)]	5 (0.21) PVC unshielded
Electrical	
Cable Rating	UL AWM style 2661 VW-1 105C 300V, CSA AWM A/B I/II 80C 300V FT1, UV oil and water resistant
Assembly Rating	30V, 4 A
Environmental	
Enclosure Type Rating	IP67, NEMA 6P, 1200 psi (8270 kPa) washdown, IP69K
Temperature Rating [C (F)]	-20...+105° (-4...+221°)

Approximate Dimensions

Dimensions are in millimeters (inches). Illustrations are not drawn to scale.

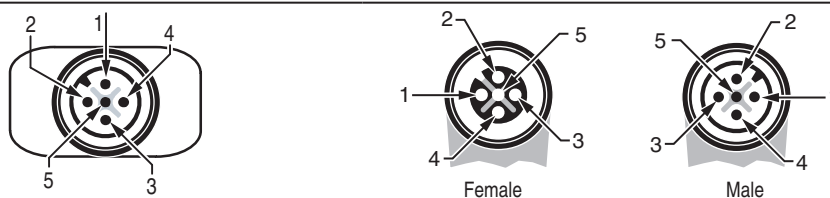


Wiring Diagrams



Pinout

Face View Pinout



V-cables, DC Micro Style LEDs



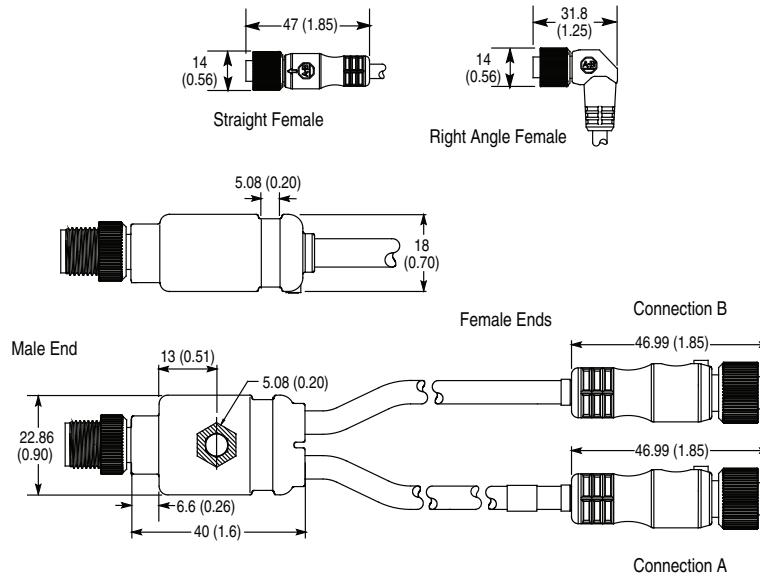
DC Micro V-Cable

Specifications

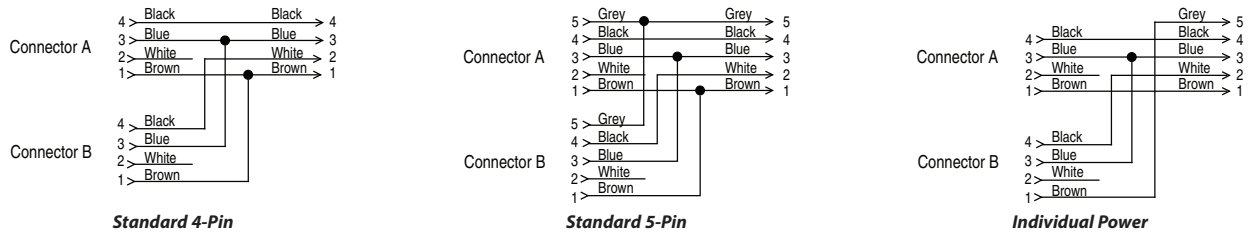
Certifications	UL Recognized and CSA Certified
Mechanical	
Coupling Nut Material	Epoxy-coated zinc
Connector Insert Material	Molded oil-resistant PUR
Contact Material	Gold over nickel-plated brass
Cable Type	Oil-resistant PVC jacket, 22 AWG conductors, 300V
Cable Diameter [mm (in.)]	5 (0.21) PVC unshielded
Electrical	
Cable Rating	UL AWM style 2661 VW-1 105C 300V, CSA AWM A/B I/II 80C 300V FT1, UV oil and water resistant
Assembly Rating	30V, 4 A
Environmental	
Enclosure Type Rating	IP67, NEMA 6P, 1200 psi (8270 kPa) washdown, IP69K
Temperature Rating [C (F)]	-20...+105° (-4...+221°)

Approximate Dimensions

Dimensions are in millimeters (inches). Illustrations are not drawn to scale.

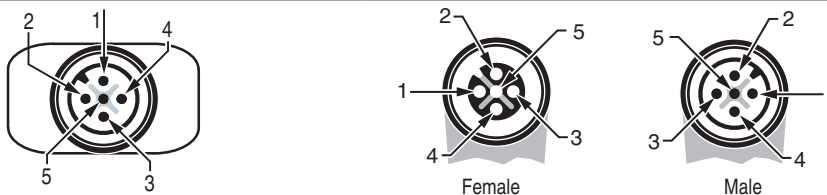


Wiring Diagrams



Pinout

Face View Pinout





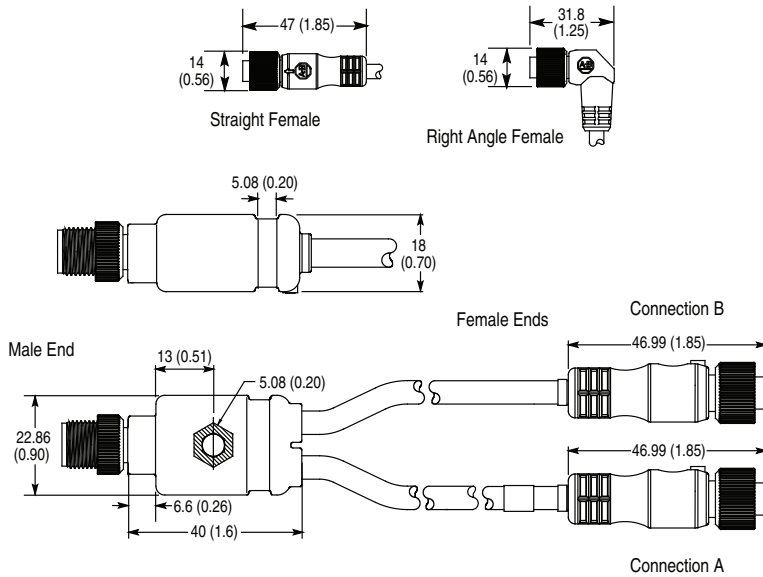
DC Micro V-Cable

Specifications

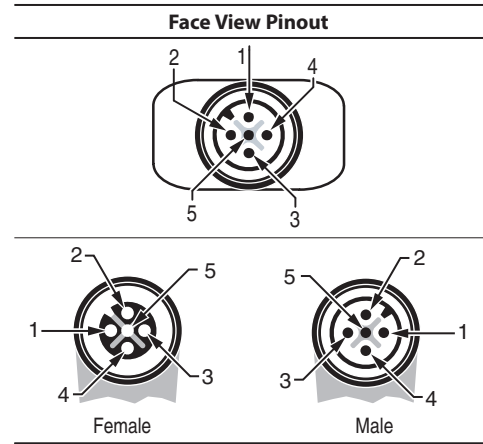
Certifications	UL Recognized and CSA Certified
Mechanical	
Coupling Nut Material	Epoxy-coated zinc
Connector Insert Material	Molded oil-resistant PVC
Contact Material	Gold over nickel-plated brass
Cable Type	Oil-resistant yellow PVC or TPE jacket, 18 AWG conductors, 300V
Cable Diameter [mm (in.)]	PVC: 6.5 (0.25) TPE: 7 (0.28)
Electrical	
Cable Rating	PVC: UL AWM style 2661 VW-1 105C 300V, CSA AWM A/B I/II 80C 300V FT1, UV oil and water resistant TPE: UL AWM style 20327 VW-1 105C 300V, CSA AWM A/B I/II 105C 300V FT1, UV oil and water resistant
Assembly Rating	250V, 4 A
Environmental	
Enclosure Type Rating	IP67, NEMA 6P, 1200 psi (8270 kPa) washdown, IP69K
Temperature Rating [C (F)]	-20...+105° (-4...+221°)

Approximate Dimensions

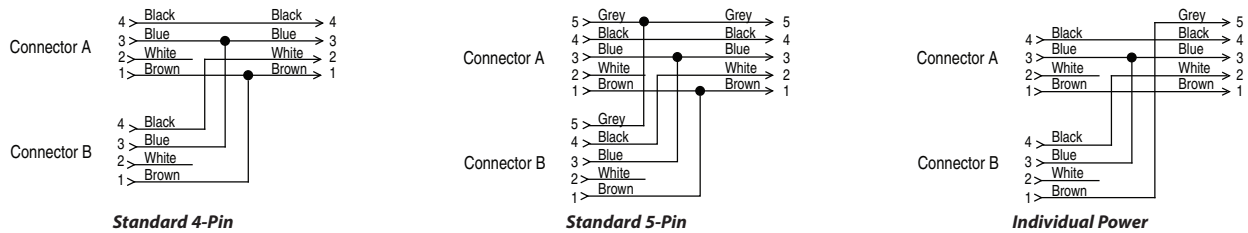
Dimensions are in millimeters (inches). Illustrations are not drawn to scale.



Pinout



Wiring Diagrams



Y-cables, DC Micro Style

22 AWG, PVC & TPE



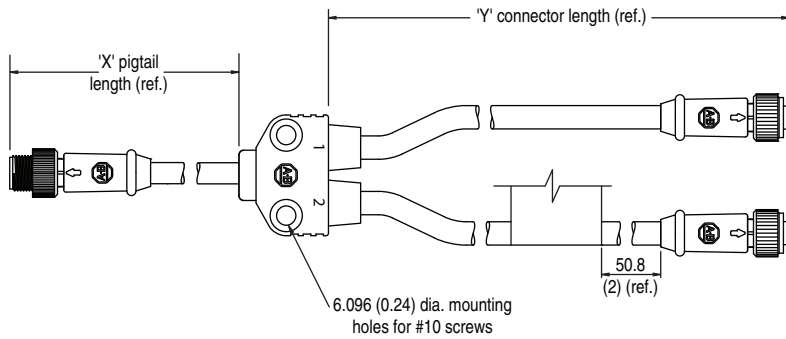
DC Micro Y-Cable

Specifications

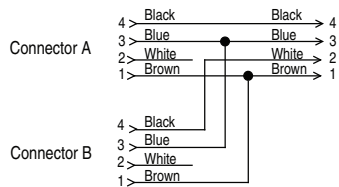
Certifications	UL Recognized and CSA Certified
Mechanical	
Coupling Nut Material	Epoxy-coated zinc
Connector Insert Material	Molded oil-resistant PVC
Contact Material	Gold over nickel-plated brass
Cable Type	Oil-resistant yellow PVC or TPE jacket, 18 AWG conductors, 300V
Cable Diameter [mm (in.)]	PVC: 6.5 (0.25) TPE: 7 (0.28)
Electrical	
Cable Rating	PVC: UL AWM style 2661 VW-1 105C 300V, CSA AWM A/B I/II 80C 300V FT1, UV oil and water resistant TPE: UL AWM style 20327 VW-1 105C 300V, CSA AWM A/B I/II 105C 300V FT1, UV oil and water resistant
Assembly Rating	250V, 4 A
Environmental	
Enclosure Type Rating	IP67, NEMA 6P, 1200 psi (8270 kPa) washdown, IP69K
Temperature Rating [C (F)]	-20...+105° (-4...+221°)

Approximate Dimensions

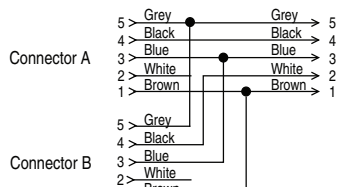
Dimensions are in millimeters (inches). Illustrations are not drawn to scale.



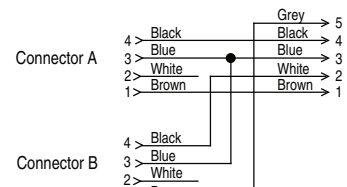
Wiring Diagrams



Standard 4-Pin



Standard 5-Pin



Individual Power

Splitters, DC Micro Style

Standard Individual Power and Tap-Style Wiring



Splitter, DC Micro

Specifications

Certifications	UL Recognized and CSA Certified
Mechanical	
Coupling Nut Material	Black epoxy-coated zinc
Material	Black PUR
Connector Insert Material	PUR
Contact Material	Gold over nickel-plated brass
O-Ring Material	Viton®
Electrical	
Assembly Rating	250V, 4 A
Environmental	
Enclosure Type Rating	IP67, NEMA 6P, 1200 psi (8270 kPa) washdown
Operating Temperature [C (F)]	-20...+105 ° (-4...+221 °)

Pinout and Color Code

Face View Pinout		
4-Pin		
	Female	Male
Color Code	1 Brown 2 White	3 Blue 4 Black
A		

Approximate Dimensions

Dimensions are in millimeters (inches). Illustrations are not drawn to scale.

Figure A

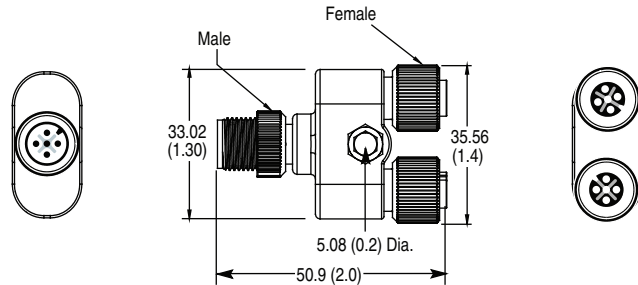


Figure B

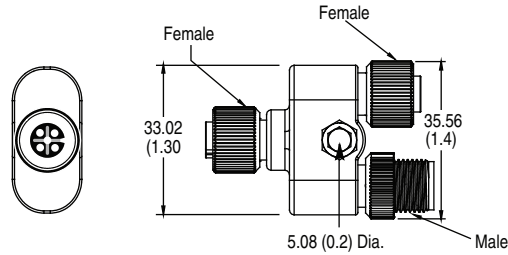
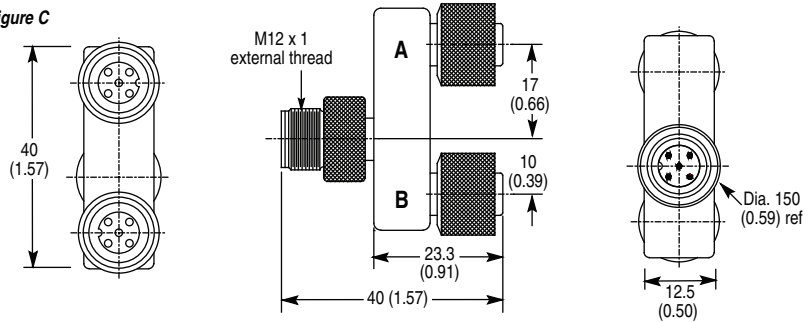
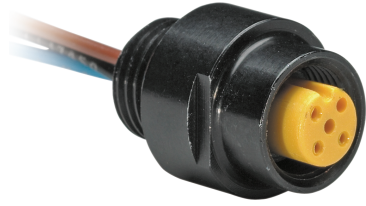


Figure C



Receptacles, DC Micro Style

18 & 22 AWG, 1/2 NPT, 1/4 NPT, M14, Rear-mount, or PG9 Mounting Threads



DC Micro Female Receptacle

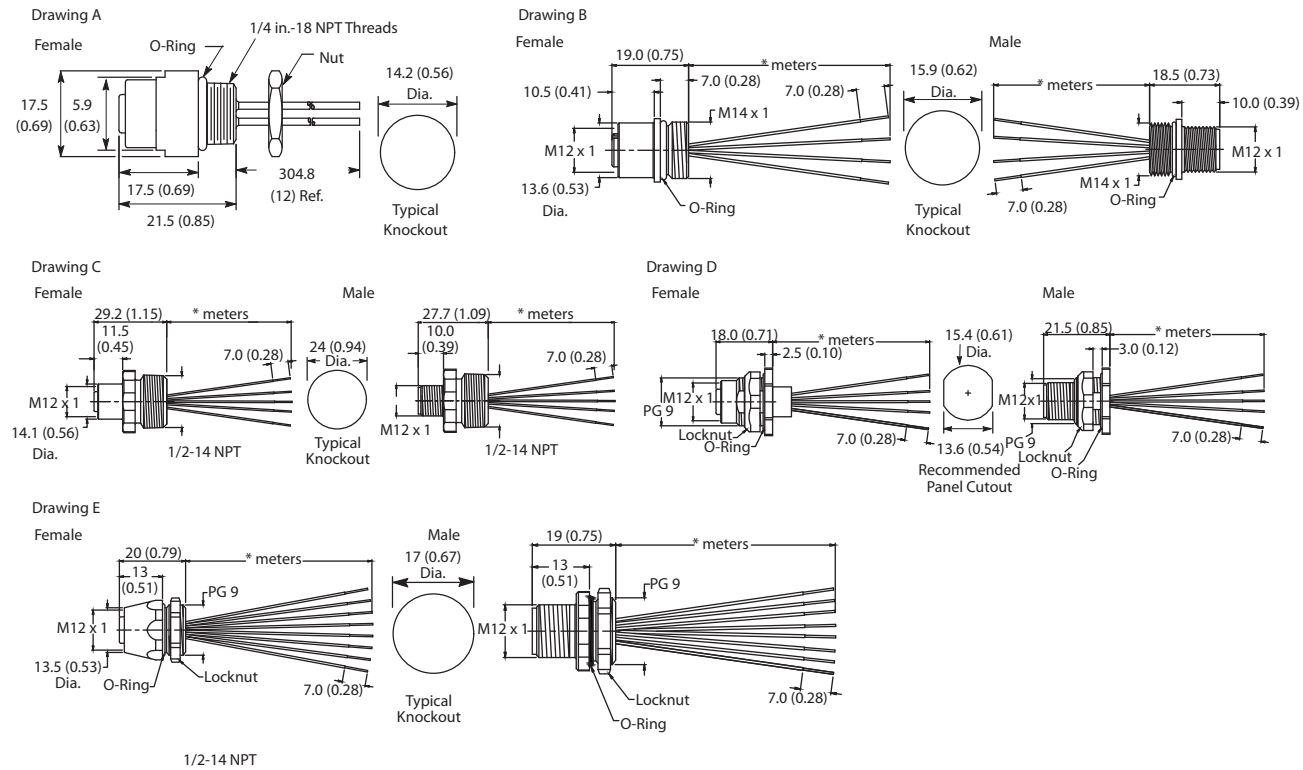
Mating Components & Accessories

Description	Cat. No.
1/2 inch-14 NPT mounting nut ★	889A-U1NUT-10
1/2 inch-14 NPT flat sealing washer ★	889A-U1FSL-10

★ Sold in bags of 10.

Approximate Dimensions

Dimensions are in millimeters (inches). Illustrations are not drawn to scale.



Pinout and Color Code

Color Code	Face View Pinout							
	3-Pin		4-Pin		5-Pin		8-Pin	
	Female		Male		Female		Male	
A	1 Brown	3 Blue	1 Brown	3 Blue	1 Brown	4 Black	1 White	5 Grey
	2 N/C	4 Black	2 White	4 Black	3 Blue	5 Grey	2 Brown	6 Pink
							3 Green	7 Blue
							4 Yellow	8 Red



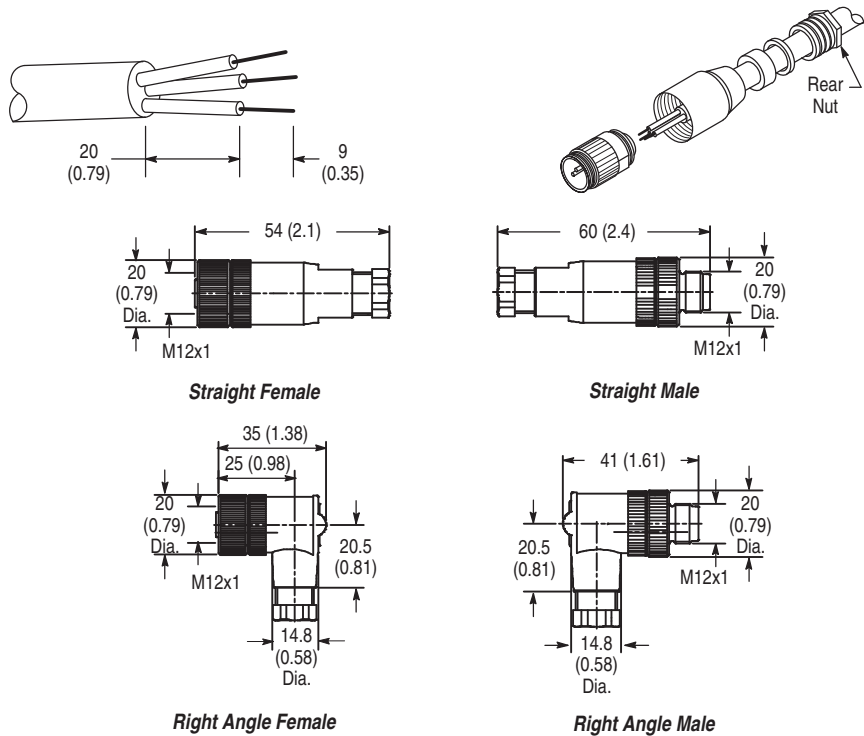
DC Micro Female

Specifications

Mechanical	
Coupling Nut Material	Nickel-plated brass
Connector Shell Material	PBT, except embedded thermistor models: Nylon
Contact Material	Gold-plated palladium nickel
Cable Diameter	18 AWG (0.75 mm ²) max.
Electrical	
Assembly Rating	4- or 5-pin: 250V, 4 A 8-pin: 60V, 2 A
Environmental	
Enclosure Type Rating	IP67
Operating Temperature [C (F)]	-40...88° (-40...185°)

Approximate Dimensions

Dimensions are in millimeters (inches). Illustrations are not drawn to scale.



Pinout

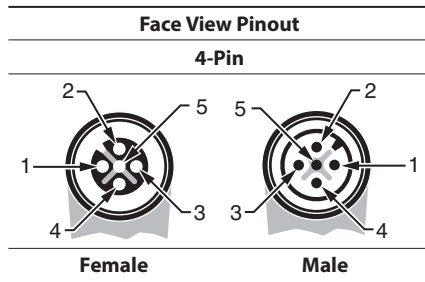
Face View Pinout			
4-Pin	5-Pin	8-Pin	
Female	Male	Female	Male

Field Attachable, DC Micro Style Insulation Displacement Connector



DC Micro Male

Pinout



Specifications

Mechanical	
Coupling Nut Material	Zinc die-cast
Connector Shell Material	Zinc die-cast or polyamide
Contact Material	Gold-plated palladium nickel
IDC Installations	10 max.
Cable Diameter [mm (in.)]	26...22 AWG, 20 AWG: 1.0...1.6 (0.039...0.063) 24...22 AWG, 22...18 AWG: 1.6...2.0 (0.063...0.079)
Electrical	
Assembly Rating	32V, 4 A 50V, 6 A
Environmental	
Enclosure Type Rating	IP67
Operating Temperature [C (F)]	-25...85° (-13...185°)
Installation Temperature [C (F)]	-5...50° (23...185°)

Approximate Dimensions

Dimensions are in millimeters (inches). Illustrations are not drawn to scale.

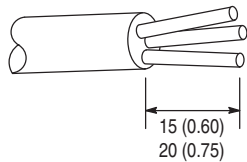


Figure A

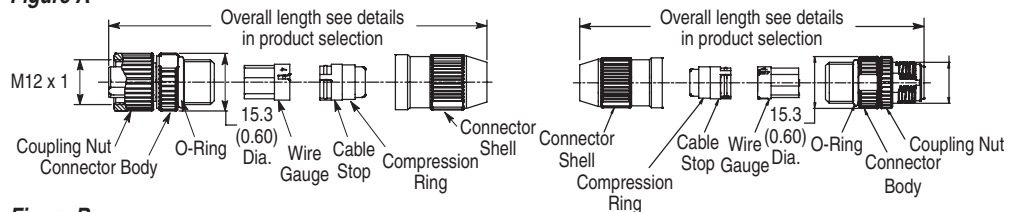


Figure B

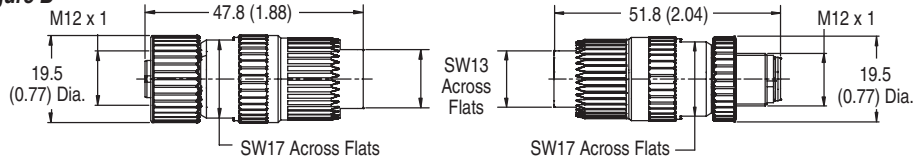


Figure C

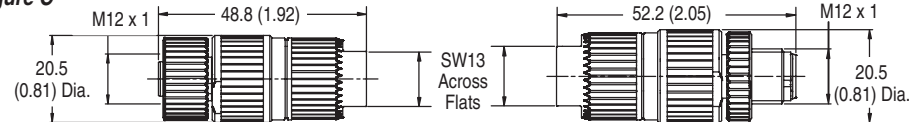
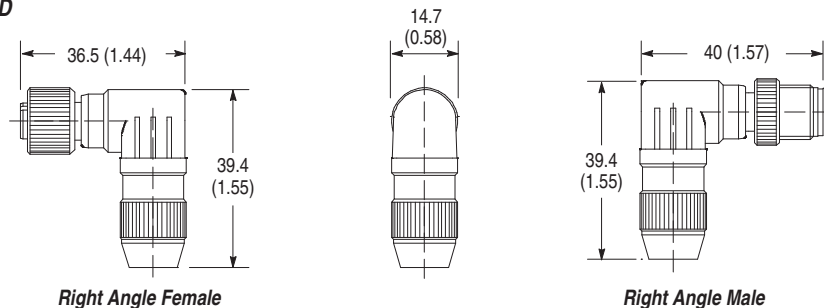


Figure D





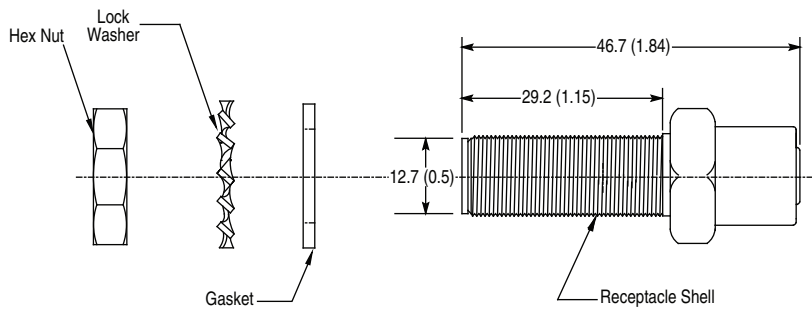
DC Micro Bulkhead Pass-Thru

Specifications

Certifications	UL Recognized and CSA Certified
Mechanical	
Shell & Locknut Material	Nickel-plated brass
Connector Insert Material	Nylon
Gasket Material	Neoprene
Thrust Washer	Steel alloy
Contact Material	Gold-plated palladium nickel
Typical Knockout	12.7 mm (0.50 in.)
Environmental	
Enclosure Type Rating	IP67
Operating Temperature [C (F)]	-20...+80 ° (-4...+176 °)

Approximate Dimensions

Dimensions are in millimeters (inches). Illustrations are not drawn to scale.



Cordsets & Patchcords, AC Micro Style

18 or 22 AWG, PVC



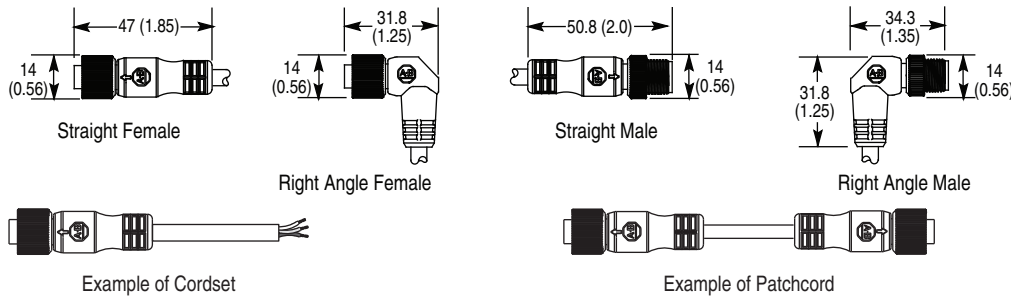
3-Pin AC Micro Cordset

Specifications

Certifications	UL Recognized and CSA Certified
Mechanical	
Coupling Nut Material	Epoxy-coated zinc
Connector Material	Molded oil-resistant polyurethane
Contact Material	Gold over nickel-plated brass
Cable Type	Oil-resistant yellow PVC jacket, 18 or 22 AWG conductors, 300V
Bend Radius	10x diameter
Cable Diameter [mm (in.)]	3/c (22 AWG) = 6.7 (0.26) 3/c (18 AWG) = 6.7 (0.26) 4/c (18 AWG) = 6.7 (0.26) 4/c (22 AWG) = 6.7 (0.26) 5/c (18 AWG) = 7.5 (0.30) 6/c (22 AWG) = 6.7 (0.26)
Braiding	Shield aluminum mylar stranding 26 x #36 (AWG) (Braided cable models only)
Electrical	
Cable Rating	UL AWM style 2661 VW-1 105C 300V, CSA AWM A/B I/II 80C 300V FT1, UV oil and water resistant
Assembly Rating	250V, 4 A
Environmental	
Enclosure Type Rating	IP67, IP69K
Temperature Rating [C (F)]	-20...+105° (-4...221°)

Approximate Dimensions

Dimensions are in millimeters (inches). Illustrations are not drawn to scale.



Pinout and Color Code

Color Code	Face View Pinout							
	3-Pin		4-Pin		5-Pin		6-Pin	
	Female	Male	Female	Male	Female	Male	Female	Male
A	1 Green (GND) 2 Red/Black Tr. 3 Red/White Tr.	1 Red/Black Tr. 2 Red/White Tr.	3 Red 4 Green (GND)	1 Red/White Tr. 2 Red 3 Green	4 Red/Yellow Tr. 5 Red/Black Tr.	1 Red/White Tr. 2 Red 3 Green	4 Red/Yellow Tr. 5 Red/Black Tr. 6 Red/Blue Tr.	



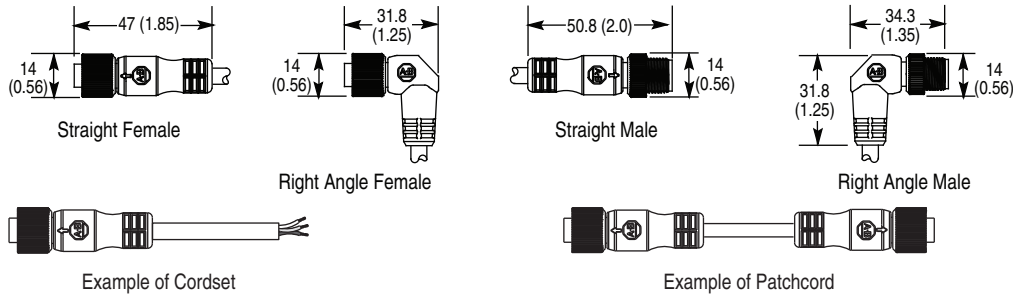
3-Pin AC Micro Cordset

Specifications

Certifications	UL Recognized and CSA Certified
Mechanical	
Coupling Nut Material	Epoxy-coated zinc
Connector Material	Molded oil-resistant polyurethane
Contact Material	Gold over nickel-plated brass
Cable Type	Oil-resistant yellow TPE jacket, 18 AWG stranded copper, cable voltage = 300V
Bend Radius	10x diameter
Cable Diameter [mm (in.)]	9 (0.35)
Electrical	
Cable Rating	UL -50C SJOOW 90C dry and 60C water resistant, CSA -50C SJOOW 90C FT1
Assembly Rating	250V, 3 A
Environmental	
Enclosure Type Rating	IP67, IP69K
Temperature Rating [C (F)]	-50...+105° (-58...+221°)

Approximate Dimensions

Dimensions are in millimeters (inches). Illustrations are not drawn to scale.



Pinout and Color Code

Color Code	Face View Pinout	
	3-Pin	
	Female	Male
A	1 Green 2 Red/Black Tr. 3 Red/White Tr.	1 Green 2 Red/Black Tr. 3 Red/White Tr.

Cordsets & Patchcords, AC Micro Style

18 AWG, Yellow PUR & TPE (flex rated)



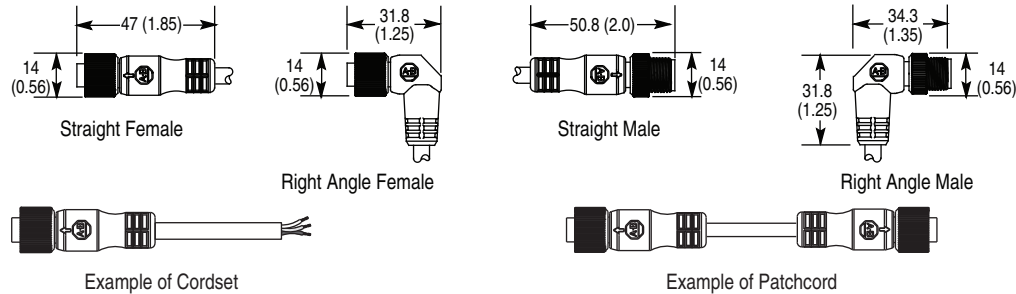
3-Pin AC Micro Cordset

Specifications

Certifications	UL Recognized and CSA Certified
Mechanical	
Material	Molding oil-resistant PVC
Contact Material	Gold over nickel-lated brass
Cable Type	Unshielded, oil, water, and UV resistant
Cable Diameter [mm (in.)]	3/c TPE 6.0 (0.24)
	3/c PUR 6.6 (0.26)
	4/c TPE 6.6 (0.26)
	4/c PUR 6.6 (0.26)
	5/c TPE 7.7 (0.30)
5/c PUR 7.7 (0.30)	
Electrical	
Cable Rating	UL AWM, UV, oil and water resistant, 18 AWG
Assembly Rating	250V, 4 A
Environmental	
Enclosure Type Rating	IP67, IP69K

Approximate Dimensions

Dimensions are in millimeters (inches). Illustrations are not drawn to scale.



Pinout and Color Code

Color Code	Face View Pinout							
	3-Pin		4-Pin		5-Pin		6-Pin	
	Female	Male	Female	Male	Female	Male	Female	Male
A	1 Green (GND) 2 Red/Black Tr. 3 Red/White Tr.	1 Green (GND) 2 Red/White Tr. 3 Red/Black Tr.	1 Red/Black Tr. 2 Red/White Tr.	3 Red 4 Green (GND)	1 Red/White Tr. 2 Red 3 Green	4 Red/Yellow Tr. 5 Red/Black Tr.	1 Red/White Tr. 2 Red 3 Green	4 Red/Yellow Tr. 5 Red/Black Tr. 6 Red/Blue Tr.

Cordsets & Patchcords, AC Micro Style

PLTC, 18 & 22 AWG, Grey PVC



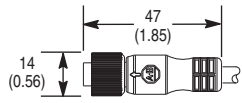
4-Pin AC Micro Cordset

Specifications

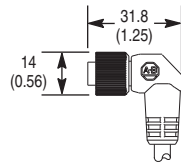
Certifications	UL Recognized and CSA Certified
Mechanical	
Coupling Nut Material	Epoxy-coated zinc
Housing Material	Molded oil-resistant PVC
Contact Material	Gold over nickel-plated brass
Cable Type	Oil-resistant grey PVC jacket, 18 or 22 AWG conductors, 300V UL Listed and CSA Certified
Bend Radius	10x diameter
Electrical	
Cable Rating	UL PLTC AWM Style 2661VW-1 105C 300V, CSA AWM A/B 1/11 80C 300V FT1, UV oil and water resistant
Assembly Rating	250V, 4 A
Environmental	
Enclosure Type Rating	IP67 & IP69K
Temperature Rating [C (F)]	-20...+105 ° (-4...+221 °)

Approximate Dimensions

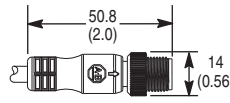
Dimensions are in millimeters (inches). Illustrations are not drawn to scale.



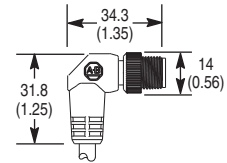
Straight Female



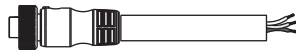
Right Angle Female



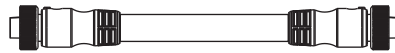
Straight Male



Right Angle Male



Example of Cordset



Example of Cordset

Pinout and Color Code

Color Code	Face View Pinout							
	3-Pin		4-Pin		5-Pin		6-Pin	
	Female	Male	Female	Male	Female	Male	Female	Male
A	1 Green 2 Red/Black Tr 3 Red/White Tr	1 Green 2 Red/Black Tr 3 Red/White Tr	1 Red/Black Tr 2 Red/White Tr	3 Red 4 Green (GND)	1 Red/White Tr 2 Red 3 Green (GND)	4 Red/Yellow Tr 5 Red/Black Tr	1 Red/White Tr 2 Red 3 Green	4 Red/Yellow Tr 5 Red/Black Tr 6 Red/Blue Tr

Cordsets & Patchcords, AC Micro Style

20 AWG, Coil Cable, PVC



3-Pin AC Micro Cordset

Pinout and Color Code

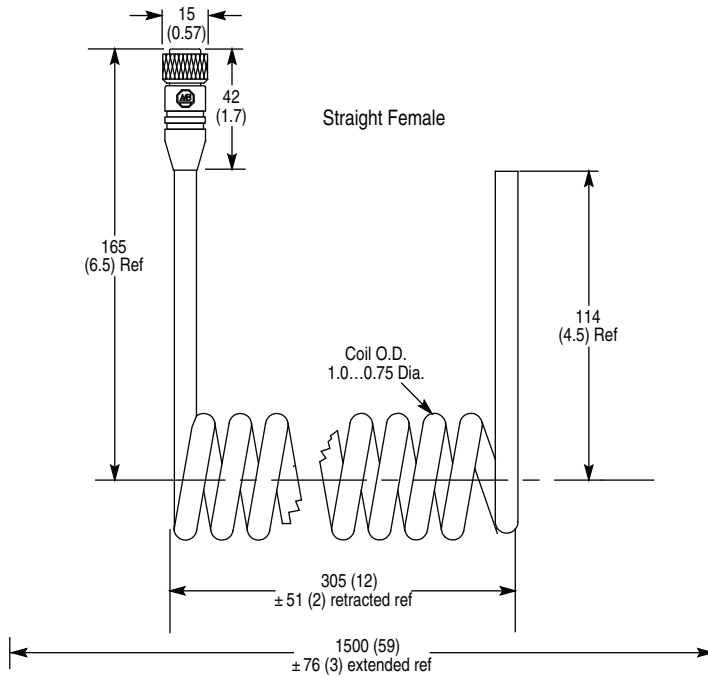
Color Code	Face View Pinout	
	4-Pin	
	Female	Male
A	1 Black 2 Blue	3 Brown 4 White
B	1 Red/Black Tr. 2 Red/White Tr.	3 Red 4 Green (GND)

Specifications

Certifications	UL Recognized and CSA Certified
Mechanical	
Coupling Nut Material	Epoxy-coated zinc
Connector Material	Molded oil-resistant PVC
Contact Material	Gold over nickel-plated brass
Cable Type	Oil-resistant yellow PVC jacket, 20 AWG stranded copper, 300V, UL Recognized and CSA Certified
Cable Diameter [mm (in.)]	7.1 (0.28)
Electrical	
Cable Rating	300V, UL style 20197, CSA AWM 1/11 A/B
Assembly Rating	250V, 4 A
Environmental	
Enclosure Type Rating	IP67
Temperature Rating [C (F)]	-20...+105° (-4...+221°)

Approximate Dimensions

Dimensions are in millimeters (inches). Illustrations are not drawn to scale.



Patchcords, AC Micro to Mini and AC Micro to DC Micro Style

18 & 22 AWG, Yellow PVC



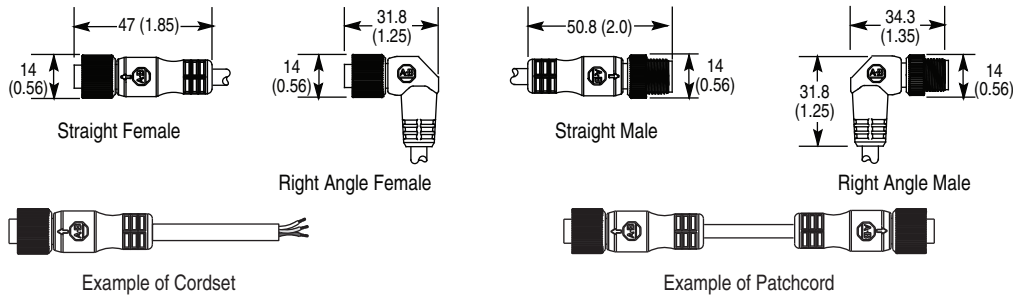
3-Pin AC Micro

Specifications

Certifications	UL Recognized and CSA Certified
Electrical	
Coupling Nut Material	Epoxy-coated zinc
Connector Material	Molded oil-resistant PVC
Contact Material	Gold over nickel-plated brass
Cable Rating	Unshielded, oil, water, and UV resistant, AWM, 18 AWG
Assembly Rating	250V, 4 A
Environmental	
Enclosure Type Rating	IP67
Temperature Rating [C (F)]	-20...+105° (-4...221°)

Approximate Dimensions

Dimensions are in millimeters (inches). Illustrations are not drawn to scale.



Pinout and Color Code

No. of Pins	Face View Pinout		
	3-Pin	3-Pin	4-Pin
Face View Pinout			
Color Code	A	B	C
	1 Green 2 Red/Black Tr. 3 Red/White Tr.	1 Green 2 Black 3 White	1 Brown 2 NA 3 Blue 4 Black

Splitters, AC Micro Style

MDSA Module Wiring



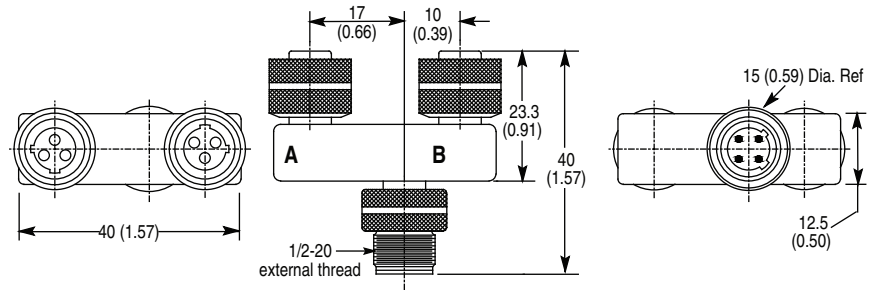
Splitter, AC Micro

Specifications

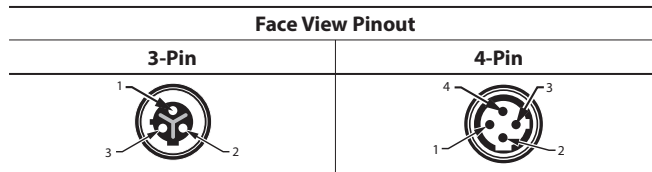
Certifications	UL Recognized and CSA Certified
Mechanical	
Material	Black PUR
Connector Insert Material	PUR
Receptacle Shell Material	Nickel-plated brass
Contact Material	Brass, gold over nickel plating
O-Ring Material	Viton*
Electrical	
Assembly Rating	300V, 3 A
Environmental	
Enclosure Type Rating	IP67; NEMA 6P
Operating Temperature [C (F)]	-30...+105° (-22...+221°)

Approximate Dimensions

Dimensions are in millimeters (inches). Illustrations are not drawn to scale.



Pinout



Receptacles, AC Micro Style

18 & 22 AWG, 1/2 and 1/4 NPT Mounting Threads



AC Micro Male Receptacle

Specifications

Certifications	UL Recognized and CSA Certified
Mechanical	
Receptacle Shell Material	Brass with nickel
Connector Insert Material	Nylon
Contact Material	Gold-plated brass
Wire Insulation	Oil-resistant PVC, 22 AWG stranded copper, 300V, UL Recognized and CSA Certified
Electrical	
Assembly Rating	250V, 4 A
Environmental	
Enclosure Type Rating	NEMA 1, 3, 4, 6P and IEC IP67, IP68, IP69K
Operating Temperature [C (F)]	-40...+105° (-22...+221°)

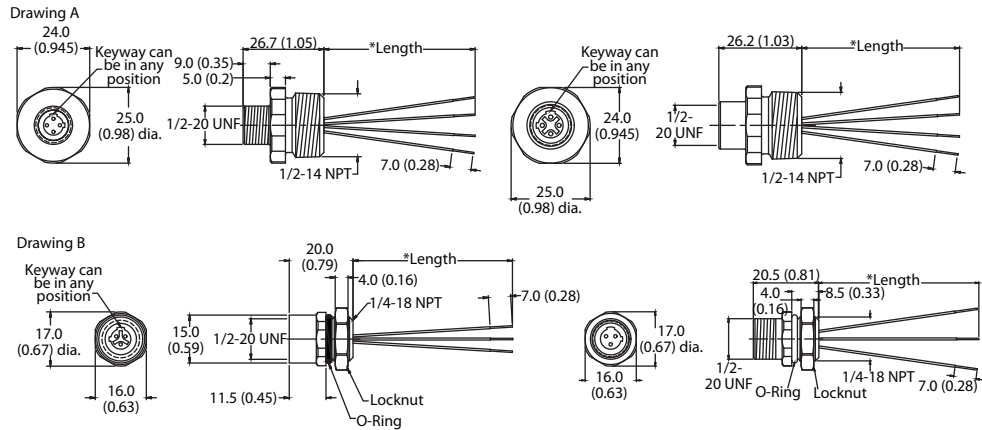
Mating Components & Accessories

Description	Cat. No.
1/2 inch-14 NPT mounting nut★	889A-U1NUT-10
1/2 inch-14 NPT flat sealing washer★	889A-U1FSL-10

★ Sold in bags of 10.

Approximate Dimensions

Dimensions are in millimeters (inches). Illustrations are not drawn to scale.



Pinout and Color Code

Color Code	Face View Pinout							
	3-Pin		4-Pin		5-Pin		6-Pin	
	Female	Male	Female	Male	Female	Male	Female	Male
A	1 Green 2 Red/Black Tr 3 Red/White Tr	1 Green 2 Red/Black Tr 3 Red/White Tr	1 Red/Black Tr 2 Red/White Tr	3 Red 4 Green (GND)	1 Red/White Tr 2 Red 3 Green (GND)	4 Red/Yellow Tr 5 Red/Black Tr	1 Red/White Tr 2 Red 3 Green	4 Red/Yellow Tr 5 Red/Black Tr 6 Red/Blue Tr

Terminal Chambers, AC Micro Style

Screw-type Field Attachable Connectors



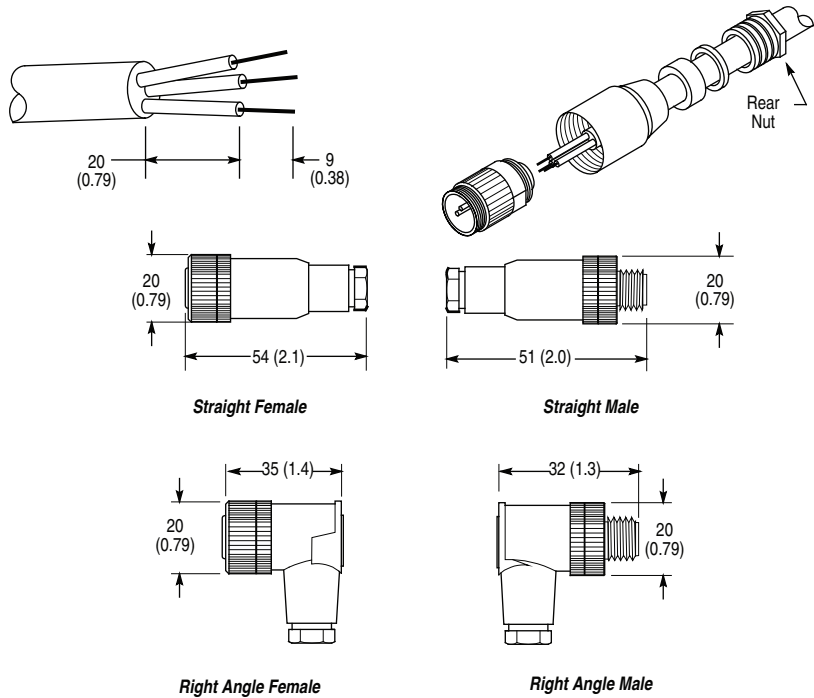
AC Micro Male Receptacle

Specifications

Mechanical	
Coupling Nut Material	Nickel-plated brass
Connector Insert Material	Nylon
Contact Material	Gold-plated palladium/nickel
Wire Size	18 mm (0.75 in. ²) max.
Environmental	
Enclosure Type Rating	IP67 (IEC 529); NEMA 6P
Operating Temperature [C (F)]	-40...+90° (-40...+194°)

Approximate Dimensions

Dimensions are in millimeters (inches). Illustrations are not drawn to scale.



Pinout and Color Code

Color Code	Face View Pinout	
	3-Pin	
	Female	Male
A	1 Green 2 Red/Black Tr 3 Red/White Tr	



4-Pin EAC Micro Cordset

Pinout and Color Code

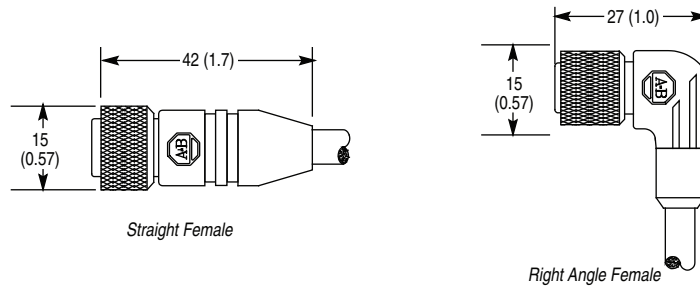
Color Code	Face View Pinout
	4-Pin Female
A	1 Brown 2 Blue 3 Not Used 4 Green/Yellow
B	1 Brown 2 Blue 3 Black 4 Green/Yellow

Specifications

Certifications	UL Recognized and CSA Certified
Mechanical	
Coupling Nut Material	Epoxy-coated zinc
Connector Material	Molded oil-resistant polyurethane body
Contact Material	Gold over nickel-plated brass
Cable Type	Yellow oil-resistant PVC jacket, 22 AWG conductors, 300V, UL Recognized and CSA Certified
Cable Diameter [mm (in.)]	5 (0.21)
Electrical	
Cable Rating	300V
Assembly Rating	300V, 3 A
Environmental	
Enclosure Type Rating	IP67
Temperature Rating [C (F)]	-40...+90° (-40...+194°)

Approximate Dimensions

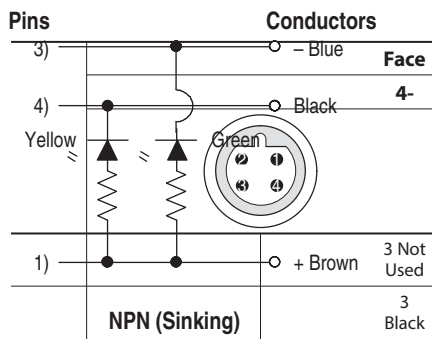
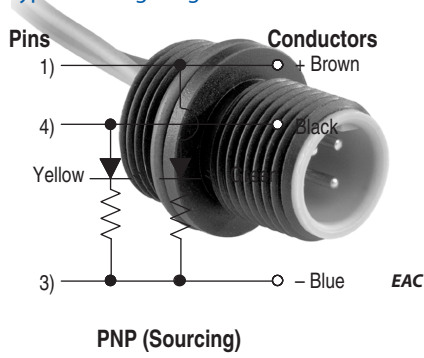
Dimensions are in millimeters (inches). Illustrations are not drawn to scale.



Receptacles, EAC Micro Style

22 AWG, M14 Mounting Threads

Typical Wiring Diagrams

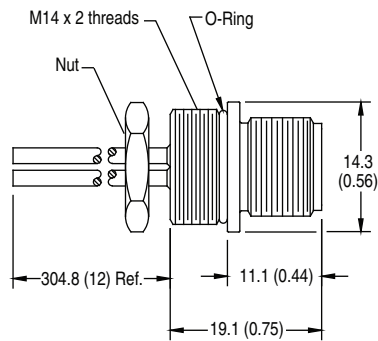


Specifications

Certifications	UL Recognized and CSA Certified
Mechanical	
Receptacle Shell Material	Black anodized machined aluminum
Connector Insert Material	Nylon
Contact Material	Machined brass with gold over nickel plating
Electrical	
Assembly Rating	300V, 3 A
Environmental	
Enclosure Type Rating	IP67
Operating Temperature [C (F)]	-20...+105° (-4...+221°)

Approximate Dimensions

Dimensions are in millimeters (inches). Illustrations are not drawn to scale.



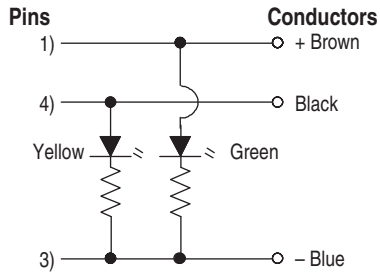
Cordsets & Patchcords, Pico Style

24 AWG, Yellow PVC or PUR, Screw-on, LED and NonLED

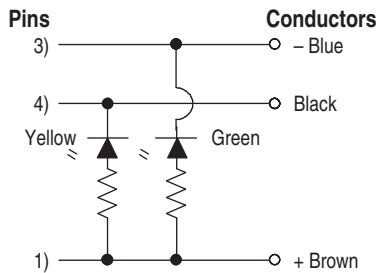


Pico Screw-On Style

Typical Wiring Diagrams



PNP (Sourcing)



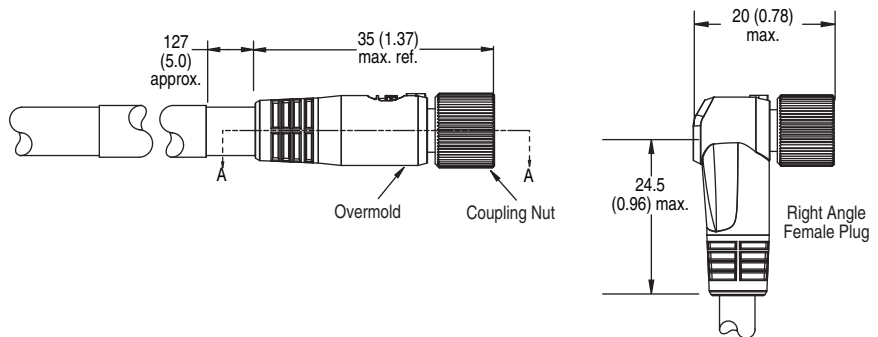
NPN (Sinking)

Specifications

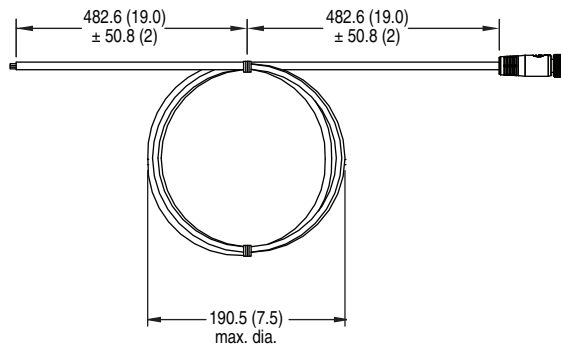
Certifications	UL Recognized and CSA Certified
Mechanical	
Coupling Nut Material	Nickel-plated brass
Connector Material	Molded oil-resistant PUR
Contact Material	Gold over nickel-plated brass
Cable Type	Oil-resistant yellow PVC or PUR jacket, 24 AWG conductors, 300V, UL Recognized, CSA Certified
Cable Diameter [mm (in.)]	3/c = 4.6 (0.18) 4/c = 4.6 (0.18)
Electrical	
Cable Rating	PVC: UL CM AWM style 2661 VW-1 105C 300V, CSA AWM A/B I/II 105C 300V FT1; PUR: UL AWM style 20233 or 20549 80C 300V
Assembly Rating	NonLED: 60V AC/75V DC, 4 A; LED: 10...30V DC, 4 A
Environmental	
Enclosure Type Rating	Screw-type: IP67; Snap-on type: IP65
Temperature Rating [C (F)]	PVC and TPE models: -20...+105° (-4...+221°) PUR models: -20...+80° (-4...+176°)

Approximate Dimensions

Dimensions are in millimeters (inches). Illustrations are not drawn to scale.



Cable Coiling
(for 2 meter cables and longer)



Pinout and Color Code

Color Code	Face View Pinout			
	3-Pin		4-Pin	
	Female	Male	Female	Male
A	1 Brown 2 Blue	4 Black	1 Brown 2 White	3 Blue 4 Black

Cordsets & Patchcords, Pico Style

24 AWG, Yellow & Black PVC, TPE, PUR Screw-on

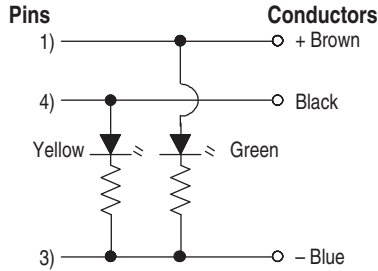


Pico Screw-On Style

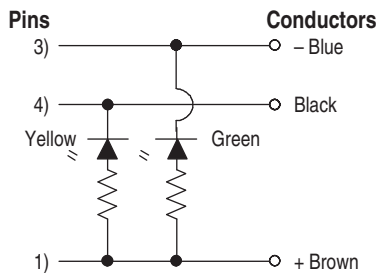
Specifications

Certifications	UL Recognized and CSA Certified
Mechanical	
Coupling Nut Material	Nickel-plated brass
Connector Material	Molded oil-resistant PUR
Contact Material	Gold over nickel-plated brass
Cable Type	Oil-resistant yellow PVC or PUR jacket, 24 AWG conductors, 300V, UL Recognized, CSA Certified
Cable Diameter [mm (in.)]	3/c = 4.6 (0.18) 4/c = 4.6 (0.18)
Electrical	
Cable Rating	PVC: CM UL AWM style 2661 VW-1 105C 300V, CSA AWM A/B I/II 105C 300V FT1; PUR: UL AWM style 20233 or 20549 80C 300V
Assembly Rating	NonLED: 60V AC/75V DC, 4 A; LED: 10...30V DC, 4 A
Environmental	
Enclosure Type Rating	Screw-type: IP67; Snap-on type: IP65
Temperature Rating [C (F)]	PVC and TPE models: -20...+105° (-4...+221°) PUR models: -20...+80° (-4...+176°)

Typical Wiring Diagrams



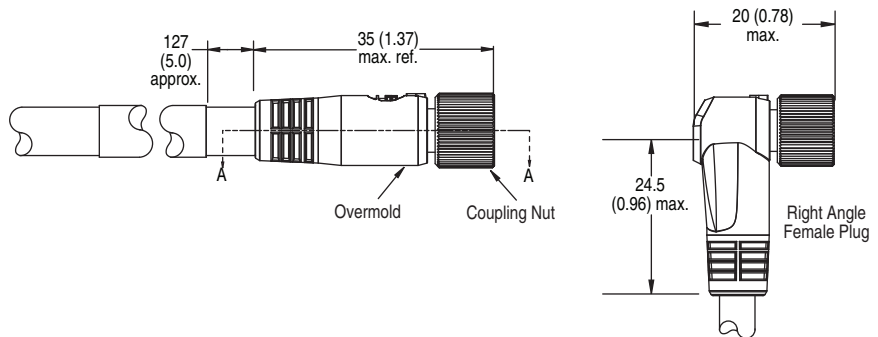
PNP (Sourcing)



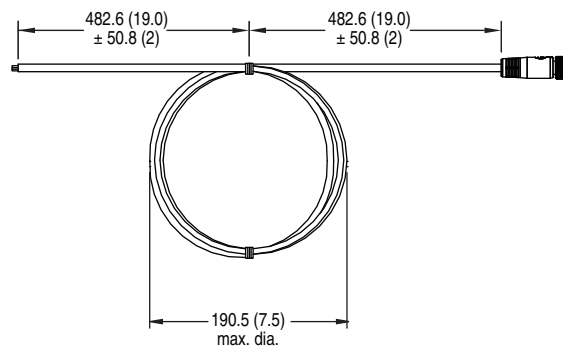
NPN (Sinking)

Approximate Dimensions

Dimensions are in millimeters (inches). Illustrations are not drawn to scale.



Cable Coiling
(for 2 meter cables and longer)



Pinout and Color Code

Color Code	Face View Pinout	
	3-Pin	4-Pin
A	1 Brown 2 NA 3 Blue 4 Black	—
B	—	1 Brown 2 White 3 Blue 4 Black

Cordsets & Patchcords, Pico Style

24 AWG, Yellow & Black PUR, PVC, TPE Snap-on

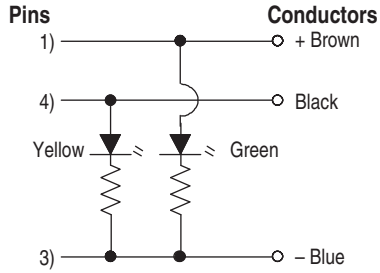


Pico Snap-On Style

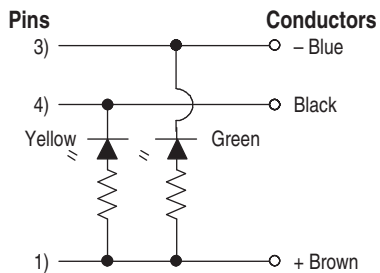
Specifications

Certifications	UL Recognized and CSA Certified
Mechanical	
Coupling Nut Material	Nickel-plated brass
Connector Material	Molded oil-resistant PUR
Contact Material	Gold over nickel-plated brass
Cable Type	Oil-resistant yellow PVC or PUR jacket, 24 AWG conductors, 300V, UL Recognized, CSA Certified
Cable Diameter [mm (in.)]	3/c = 4.6 (0.18) 4/c = 4.6 (0.18)
Electrical	
Cable Rating	PVC: UL CM AWM style 2661 VW-1 105C 300V, CSA AWM A/B I/II 105C 300V FT1; PUR: UL AWM style 20233 or 20549 80C 300V
Assembly Rating	NonLED: 60V AC/75V DC, 4 A; LED: 10...30V DC, 4 A
Environmental	
Enclosure Type Rating	Screw-type: IP67; Snap-on type: IP65
Temperature Rating [C (F)]	PVC and TPE models: -20...+105° (-4...+221°) PUR models: -20...+80° (-4...+176°)

Typical Wiring Diagrams



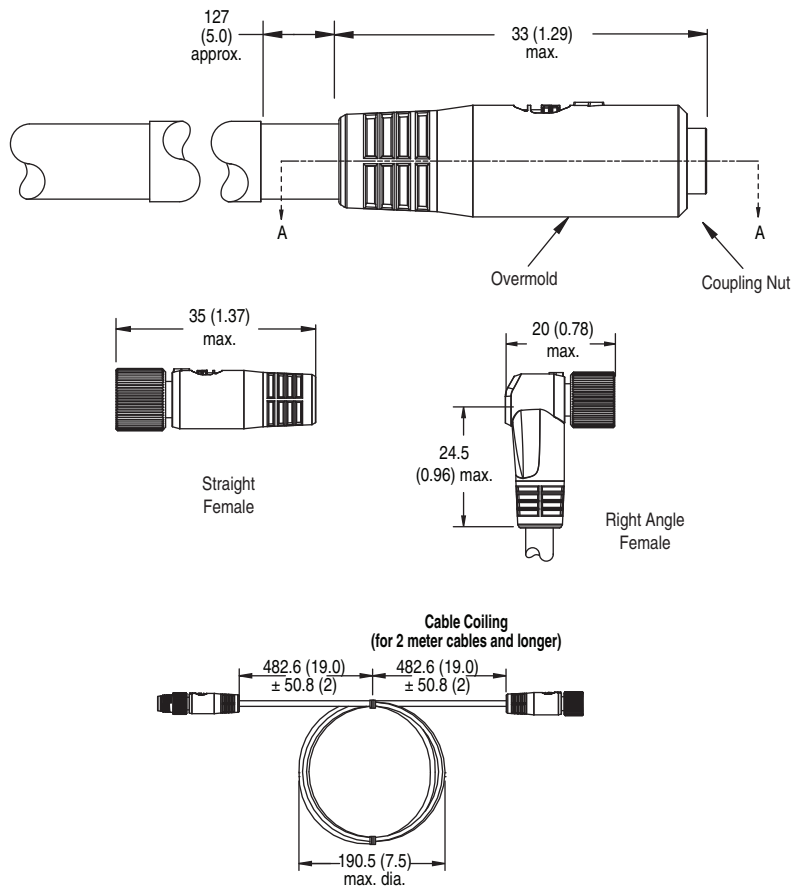
PNP (Sourcing)



NPN (Sinking)

Approximate Dimensions

Dimensions are in millimeters (inches). Illustrations are not drawn to scale.



Pinout and Color Code

Color Code	Face View Pinout			
	3-Pin		4-Pin	
	Female	Male	Female	Male
A	1 Brown 2 Blue	4 Black	1 Brown 2 White	3 Blue 4 Black

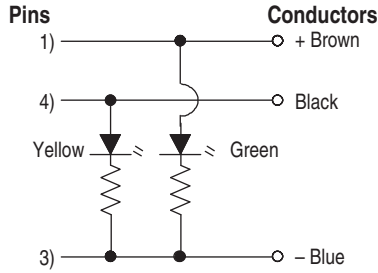
Cordsets & Patchcords, Pico Style

24 AWG, Pico LED and Pico to Micro LED, PUR, PVC, TPE

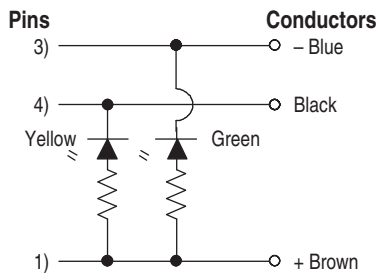


Pico Screw-On Style

Typical Wiring Diagrams



PNP (Sourcing)



NPN (Sinking)

Specifications

Certifications	UL Recognized and CSA Certified
Mechanical	
Coupling Nut Material	Nickel-plated brass
Connector Material	Molded, oil-resistant, PUR
Contact Material	Gold-plated brass
Cable Type	Oil-, water-, and UV-resistant, 24 AWG conductors, 300V, 4 A, AWM
Cable Diameter [mm (in.)]	3/c = 4.6 (0.18) 4/c = 4.6 (0.18)
Electrical	
Cable Rating	PVC: UL CM AWM style 2661 VW-1 105°C 300V, CSA AWM A/B I/II 105°C 300V FT1 PUR: UL AWM style 20233, 21198 or 10493 80°C 300V FT2 TPE: UL AWM style 20327 VW-1 105°C 300V FT1
Assembly Rating	NonLED: 60V AC/75V DC, 4 A LED: 10...30V DC, 4 A
Environmental	
Enclosure Type Rating	Screw-type: IP67 Snap-on type: IP65
Temperature Rating [C (F)]	PVC and TPE models: -20...+105° (-4...+221°) PUR models: -20...+80° (-4...+176°)

Pinout and Color Code

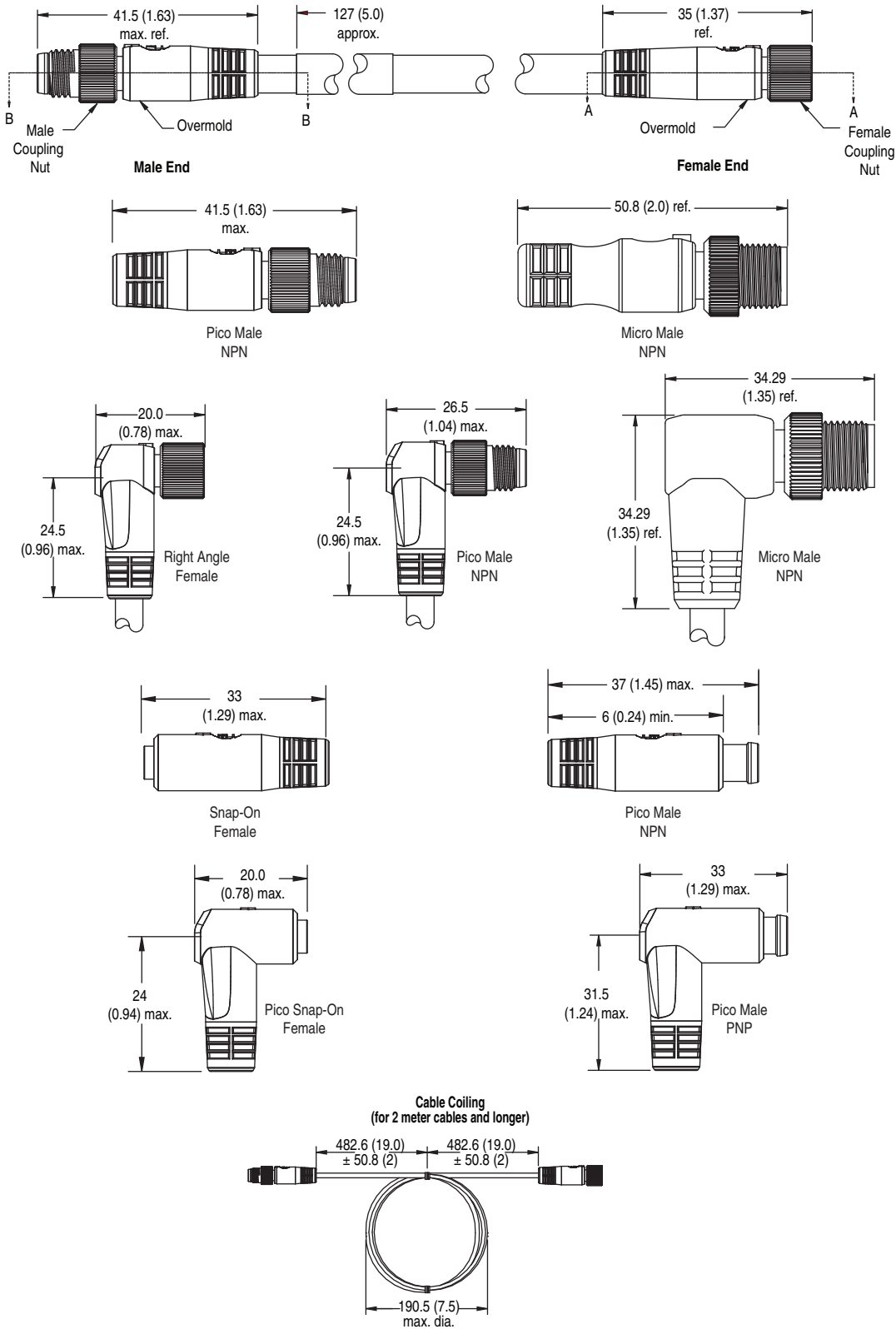
Color Code	Face View Pinout			
	3-Pin		4-Pin	
	Female	Male	Female	Male
A	1 Brown 2 Blue	4 Black	1 Brown 2 White	3 Blue 4 Black

Cordsets & Patchcords, Pico Style

24 AWG, Pico LED and Pico to Micro LED, PUR, PVC, TPE

Approximate Dimensions

Dimensions are in millimeters (inches). Illustrations are not drawn to scale.



Patchcords, Pico Style

24 AWG, Pico to DC Micro, PVC



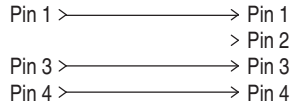
DC Micro to Pico Patchcord

Specifications

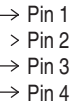
Certifications	UL Recognized and CSA Certified
Mechanical	
Coupling Nut Material	DC Micro: Black epoxy-coated zinc; Pico: Nickel-plated brass
Connector Material	DC Micro: Molded oil-resistant PUR; Pico: Molded oil-resistant TPE
Contact Material	Gold over nickel-plated brass
Cable Type	Oil-resistant yellow PVC jacket, 24 AWG conductors, 300V, UL Recognized and CSA Certified
Cable Diameter [mm (in.)]	3/c = 4.6 (0.18) 4/c = 4.6 (0.18)
Electrical	
Cable Rating	UL CM AWM style 2661 VW-1 105C 300V, CSA AWM A/B I/II 105C 300V FT1
Assembly Rating	60V AC/75V DC, 4 A
Environmental	
Enclosure Type Rating	Screw-type: IP67; Snap-on type: IP65
Temperature Rating [C (F)]	PVC and TPE models: -20...+105 ° (-4...+221 °) PUR models: -20...+80 ° (-4...+176 °)

Typical Wiring Diagrams

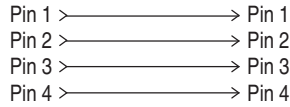
3-Pin Pico



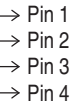
4-Pin DC Micro



4-Pin Pico Female

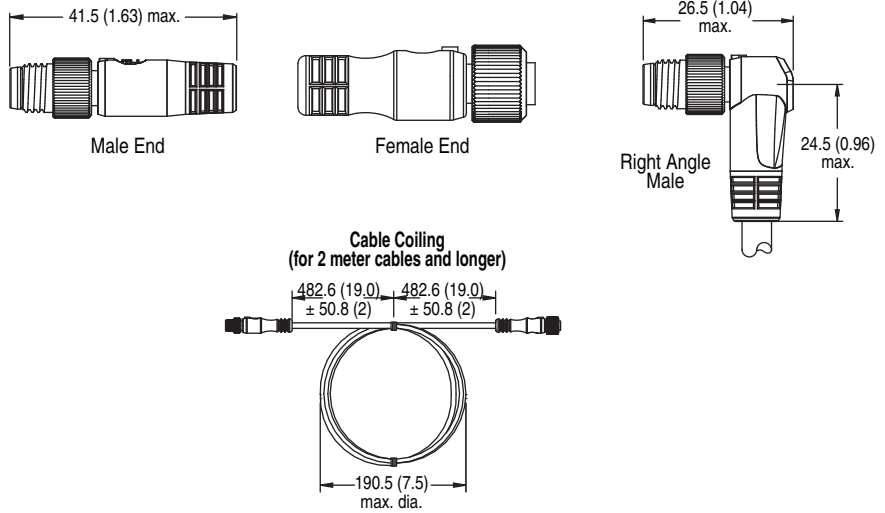


4-Pin DC Micro Male



Approximate Dimensions

Dimensions are in millimeters (inches). Illustrations are not drawn to scale.



Pinout

Pinout	Face View Pinout					
	A		B		C	
	Female	Male	Female	Male	Female	Male
	3-Pin Pico Female to 4-Pin DC Micro Male		4-Pin Pico Female to 4-Pin DC Micro Male		4-Pin DC Micro Female to 3-Pin Pico Male	

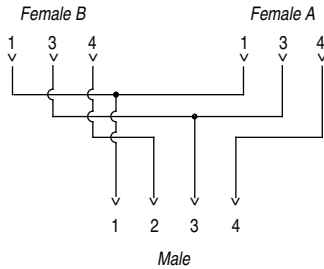
V-cables, Pico Style

24 AWG, Pico to DC Micro, PVC or PUR, LED and NonLED



Pico V-Cables

Typical Wiring Diagrams

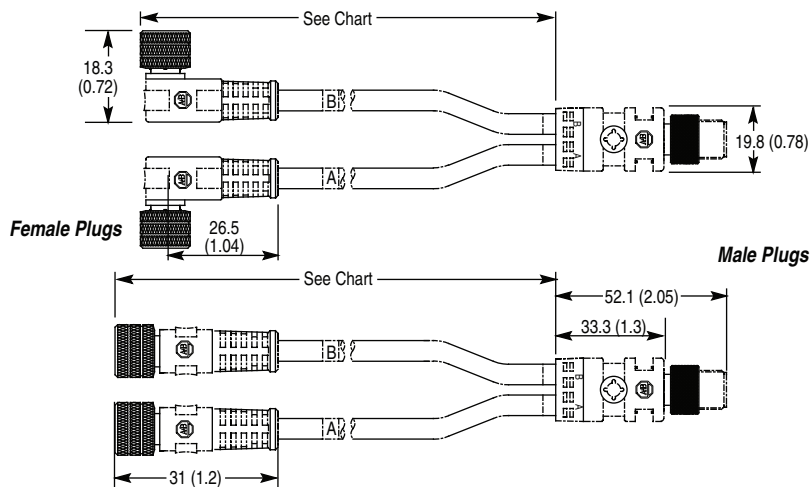


Specifications

Certifications	UL Recognized and CSA Certified
Mechanical	
Coupling Nut Material	Nickel-plated brass (Pico); Epoxy-coated zinc (DC Micro)
Connector Material	Molded TPE
Contact Material	Gold over nickel-plated brass
Cable Type	Oil-resistant yellow PVC jacket, 24 AWG conductors, 300V, UL Recognized, CSA Certified
Bend Radius	10 x diameter
Cable Diameter [mm (in.)]	3/c = 4.3 (0.17) 4/c = 4.6 (0.18)
Electrical	
Cable Rating	UL CM AWM style 2661 VW-1 105C 300V, CSA AWM A/B I/II 105C 300V FT1
Assembly Rating	NonLED: 60V AC/75V DC, 4 A; LED: 10...30V DC, 4 A
Environmental	
Enclosure Type Rating	IP67
Temperature Rating [C (F)]	PVC models: -20...+105° (-4...+221°) PUR models: -20...+80° (-4...+176°)

Approximate Dimensions

Dimensions are in millimeters (inches). Illustrations are not drawn to scale.



Pinout

Pinout	Face View Pinout					
	A			B		
	Female	Female	Male	Female	Female	Male
	3-Pin Pico Female to 4-Pin DC Micro Male			4-Pin Pico Female to 4-Pin DC Micro Male		

Splitters, Pico Style

Pico to Pico, DC Micro to Pico



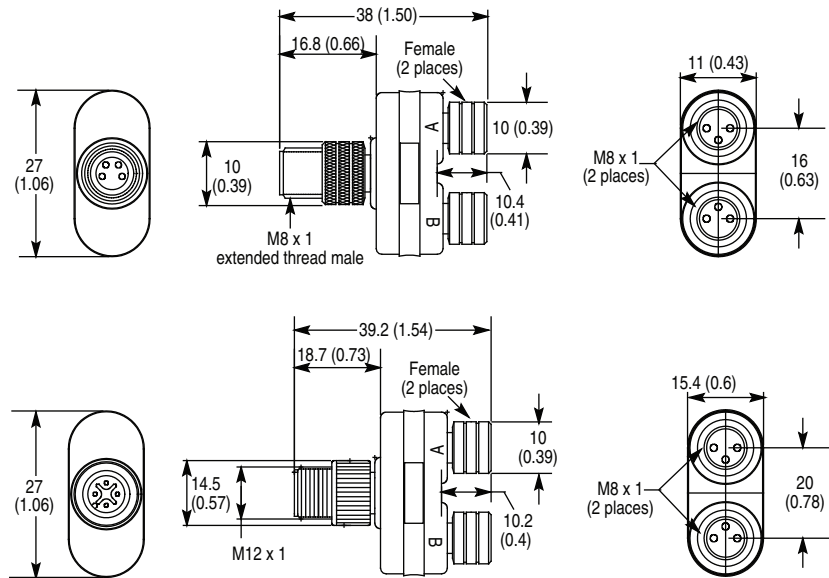
Splitter

Specifications

Certifications	UL Recognized and CSA Certified
Mechanical	
Material	Black PUR
Connector Insert Material	PUR
Receptacle Shell Material	Nickel-plated brass
Contact Material	Gold-plated palladium/nickel
O-Ring Material	Viton®
Electrical	
Assembly Rating	60V AC/75V DC, 4 A
Environmental	
Enclosure Type Rating	IP67; NEMA 6P
Operating Temperature [C (F)]	-0...+85° (-32...+185°)

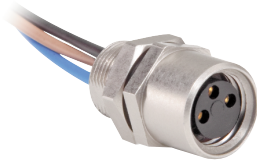
Approximate Dimensions

Dimensions are in millimeters (inches). Illustrations are not drawn to scale.



Pinout

Pinout	Face View Pinout					
	A			B		
	Female	Female	Male	Female	Female	Male
	3-Pin Pico Female to 4-Pin Pico Male			3-Pin Pico Female to 4-Pin DC Micro Male		



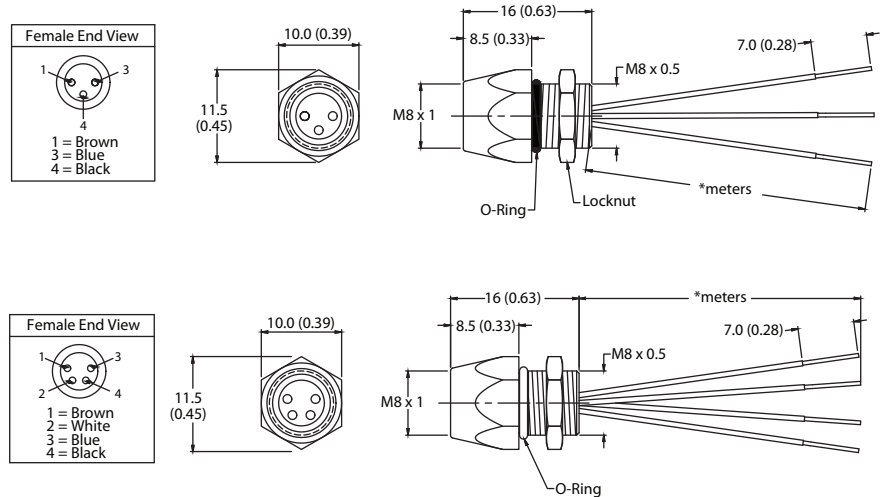
Pico Receptacles

Specifications

Certifications	UL Recognized and CSA Certified
Mechanical	
Receptacle Shell Material	Nickel-plated brass
Connector Insert Material	Nylon
Contact Material	Gold over nickel-plated brass
Electrical	
Assembly Rating	125V AC/DC, 4.0 A
Environmental	
Enclosure Type Rating	NEMA 1, 3, 4, 6P and IEC IP67, IP68, IP69K
Operating Temperature [C (F)]	-40...+105° (-22...+221°)
O-Ring Material	Nitrile rubber or Viton*

Approximate Dimensions

Dimensions are in millimeters (inches). Illustrations are not drawn to scale.



Pinout and Color Code

Color Code	Face View Pinout			
	3-Pin		4-Pin	
	Female	Male	Female	Male
A	1 Brown 3 Blue	4 Black	1 Brown 2 White	3 Blue 4 Black

Terminal Chambers, Pico Style

Screw Terminal Field Attachable Connectors



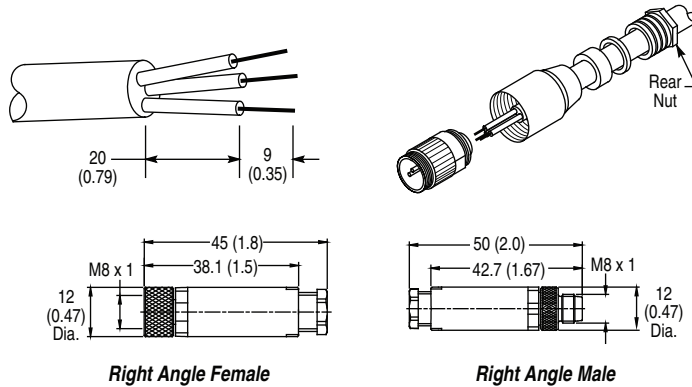
3-Pin Pico Female

Specifications

Certifications	UL Recognized and CSA Certified
Mechanical	
Coupling Nut Material	Nickel-plated brass
Connector Shell Material	PBT
Contact Material	Gold-plated palladium nickel
Cable Type	20 AWG (0.5 mm ²) max.
Electrical	
Assembly Rating	3- or 4-pin: 60V, 4 A
Environmental	
Enclosure Type Rating	IP67
Operating Temperature [C (F)]	-40...+88° (-40...+185°)

Approximate Dimensions

Dimensions are in millimeters (inches). Illustrations are not drawn to scale.



Pinout and Color Code

Color Code	Face View Pinout			
	3-Pin		4-Pin	
	Female	Male	Female	Male
A	1 Brown 3 Blue	4 Black	1 Brown 2 White	3 Blue 4 Black

Field Attachable, Pico Style Insulated Displacement Connector



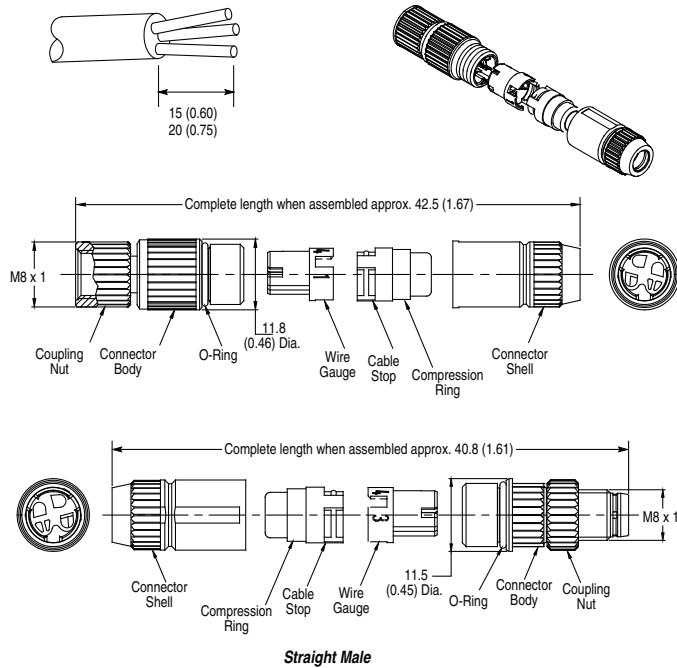
Pico Style Male

Specifications

Mechanical	
Coupling Nut Material	Nickel-plated brass
Connector Shell Material	Nickel-plated brass
Connector Material	Hytrel Htr 8068
Field Contact Material	Gold-plated palladium nickel
IDC Installations, Max.	10
Cable Diameter	1.0...1.6 mm (0.04...0.063 in.)
Wire Size	22...26 AWG (min. individual strand size = 38 AWG)
Environmental	
Enclosure Type Rating	IP67; NEMA 6P
Operating Temperature [C (F)]	-25...+85° (-13...+185°)
Installation Temperature [C (F)]	-5...+50 (23...+122°)

Approximate Dimensions

Dimensions are in millimeters (inches). Illustrations are not drawn to scale.



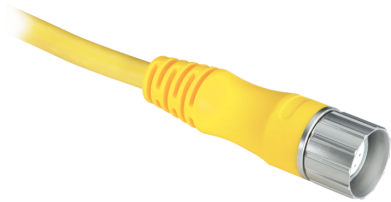
Straight Male

Pinout and Color Code

Color Code	Face View Pinout			
	3-Pin		4-Pin	
	Female	Male	Female	Male
A	1 Brown 3 Blue	4 Black	1 Brown 2 White	3 Blue 4 Black

Cordsets & Patchcords, M23 Style

18 or 18/22 AWG, Black or Yellow PVC



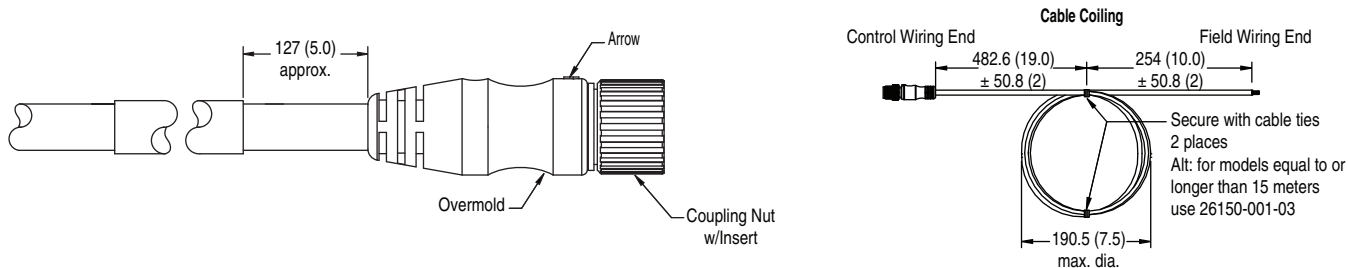
12-Pin M23 Cordset

Specifications

Certifications	UL Recognized and CSA Certified
Mechanical	
Coupling Nut Material	Nickel-plated brass
Connector Material	Molded oil-resistant PUR
Contact Material	Gold over nickel-plated brass
Cable Type	9- & 12-conductor cables: oil-resistant PVC, yellow, PLTC, 300V, UL/CSA, 18 AWG 11-conductor cable: oil-resistant PUR, black, ITC/PLTC, 300V, UL/CSA (3) 18 AWG, (8) 22 AWG 19-conductor cable: oil-resistant PUR, black, ITC/PLTC, 300V, UL/CSA (3) 18 AWG, (16) 22 AWG
Bend Radius	10x diameter
Electrical	
Cable Rating	300V
Assembly Rating	9- & 12-pin: 6 A 11- & 19-conductor: 18 AWG-8 A, 22 AWG-2 A
Environmental	
Enclosure Type Rating	IP67, IP68
Temperature Rating [C (F)]	-20...+105° (-4...+221°)

Approximate Dimensions

Dimensions are in millimeters (inches). Illustrations are not drawn to scale.



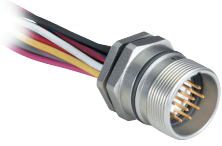
Pinout and Color Code

Color Code	Face View Pinout					
	12-Pin			19-Pin		
	Female		Male	Female		Male
A	9-Conductor					
	1 Brown 2 NA 3 Blue 4 White	5 NA 6 Green 7 Yellow 8 Grey	9 Pink 10 Red 11 NA 12 Green/Yellow	1 Violet 2 Red 3 Grey 4 Red/Blue 5 Green★ 6 Blue★	7 Grey/Pink 8 White/Green 9 White/Yellow 10 White/Grey 11 Black 12 Green/Yellow	13 Yellow/Brown 14 Brown/Green 15 White 16 Yellow 17 Pink 18 Grey/Brown 19 Brown★
B	11-Conductor (pins 9/10 jumpered)					
	1 White 2 Green 3 Yellow 4 Grey	5 Pink 6 Red 7 Black 8 Violet	9 Blue★ 10 Blue 11 Brown★ 12 Green/Yellow★	—		
C	12-Conductor					
	1 Brown 2 Blue 3 Grey 4 Pink	5 Red 6 Yellow 7 White 8 Red/Blue	9 Black 10 Violet 11 Grey/Pink 12 Green	—		

★ 18 AWG

Receptacles, M23 Style

18 or 18/22 AWG, M20 Mounting Threads



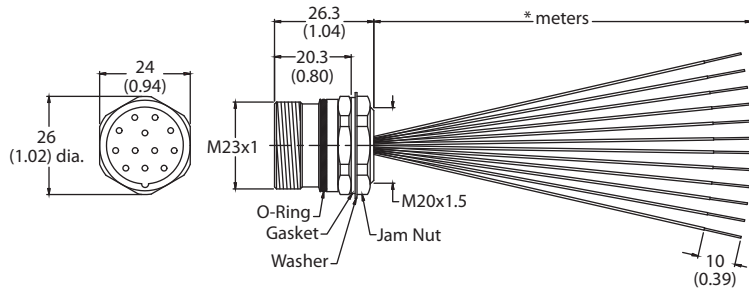
12-Pin Male M23 Receptacle

Specifications

Mechanical	
Receptacle Shell Material	Nickel-plated brass
Connector Insert Material	Nylon or PBT/Grey
Contact Material	Machined brass with gold over nickel plating
Cable Type	Oil-resistant PVC, 18 AWG stranded copper, 300V, UL Recognized and CSA Certified
Electrical	
Assembly Rating	9-, 11-, 12-pin: 300V, 6 A 19-pin: 63V, 12 A
Environmental	
Enclosure Type Rating	IP67, NEMA 6P, 1200 psi (8270 kPa) washdown
Operating Temperature [C (F)]	-20...+105° (-4...+221°)

Approximate Dimensions

Dimensions are in millimeters (inches). Illustrations are not drawn to scale.



Pinout and Color Code

Color Code	Face View Pinout					
	9-, 11-, or 12-Pin			19-Pin		
	Female		Male	Female		Male
A	9-Pin			1 Violet	7 Grey/Pink	13 Yellow/Brown
	2 NA	5 NA	9 Pink	2 Red	8 White/Green	14 Brown/Green
	3 Blue	6 Green	10 Red	3 Grey	9 White/Yellow	15 White
B	11-Pin (pins 9/10 jumpered)			4 Red/Blue	10 White/Grey	16 Yellow
	1 White	5 Pink	9 N/C	5 Green	11 Black	17 Pink
	2 Green	6 Red	10 Blue	6 Blue	12 Green/Yellow	18 Grey/Brown
C	12-Pin			13 Yellow/Brown	14 Brown/Green	15 White
	1 Brown	5 Red	9 Black	16 Yellow	17 Pink	18 Grey/Brown
	2 Blue	6 Yellow	10 Violet	19 Brown		

Field Attachable, M23 Style Solder Type



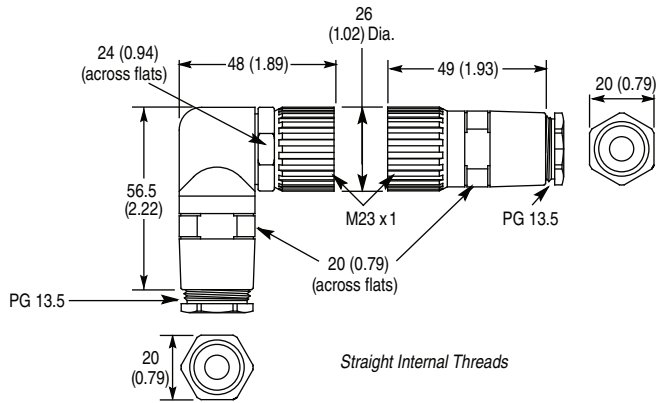
Field-Attachable M23 Connector

Specifications

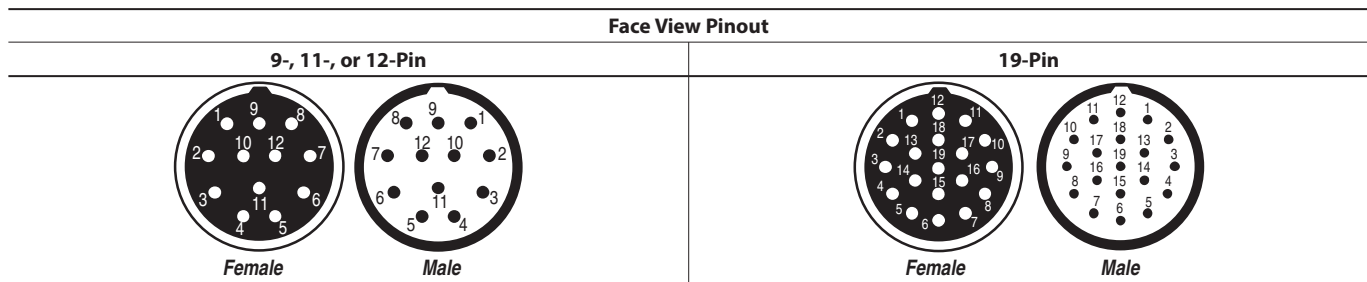
Mechanical	
Coupling Nut Material	Nickel-plated brass
Connector Shell Material	Nickel-plated brass
Contact Material	Gold-plated palladium/nickel
Cable Diameter [mm (in.)]	10...14 (0.39...0.55)
Electrical	
Assembly Rating	63V, 12 A power, 3 A all others
Environmental	
Enclosure Type Rating	IP65
Operating Temperature [C (F)]	-20...+105° (-4...221°)

Approximate Dimensions

Dimensions are in millimeters (inches). Illustrations are not drawn to scale.



Pinout



Cordsets & Patchcords, DIN Valve Style

DIN Valve A (18 mm)



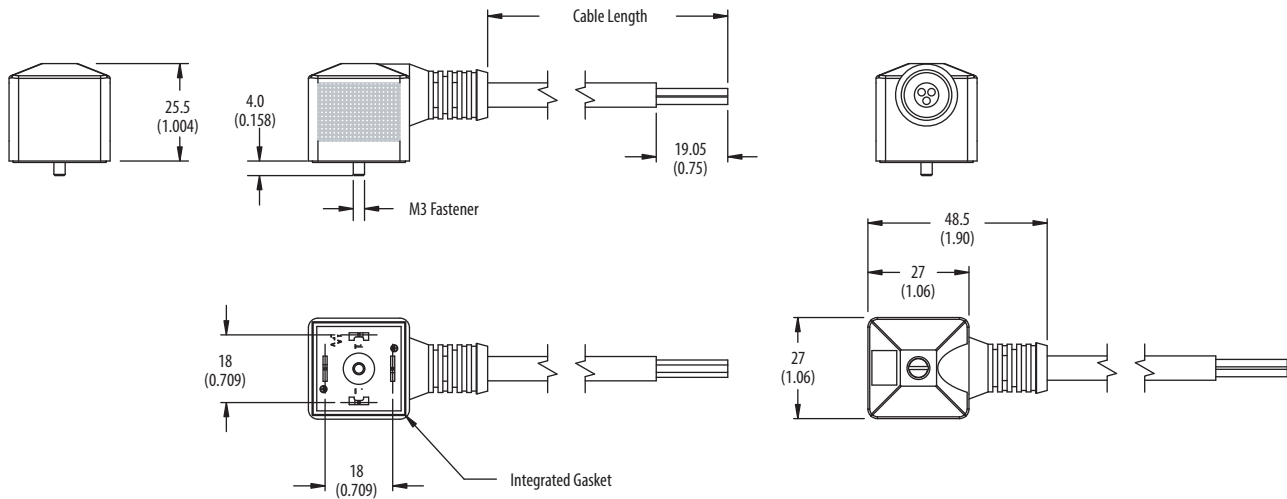
Valve A Cordset

Specifications

Certifications	UL Recognized and CSA Certified
Mechanical	
Housing Material	Molded oil-resistant PUR (NonLED version: black, LED version: clear)
Gasket Material	Nitrile
Contact Material	Tin-plated copper
Mounting Screw	18-8 Stainless Steel
Cable Type	Oil-resistant black PVC jacket, 18 AWG conductor, 300V, UL Recognized and CSA Certified
Home Run Connection	10x diameter, min.
Cable Diameter [mm (in.)]	18 AWG, 3-conductor: 5.5 (0.216), 4-conductor: 6 (0.235)
Electrical	
Cable Rating	UL AWM style 2661 VW-1 105C 300V, CSA AWM A/B I/II 80C 300V FT1, UV oil and water resistant
Assembly Rating	Straight wired: 0...250V AC/DC, 10 A LED & Varistor surge suppression: 24V or 115V AC/DC, 10 A
Environmental	
Enclosure Type Rating	IP67, NEMA 6
Temperature Rating [C (F)]	-25...+80° (-13...+176°)

Approximate Dimensions

Dimensions are in millimeters (inches). Illustrations are not drawn to scale.



Pinout

Face View Pinout			
2-Pin	3-Pin		5-Pin
Dual Ground	Ground Toward Cable Exit	Ground Away from Cable Exit	
			 Female
	1 Brown 2 Blue 3 Black GND Yellow & Green		 Male
			1 Brown 2 White 3 Blue 4 Black 5 Grey

Cordsets & Patchcords, DIN Valve Style

DIN Valve B (11 mm)



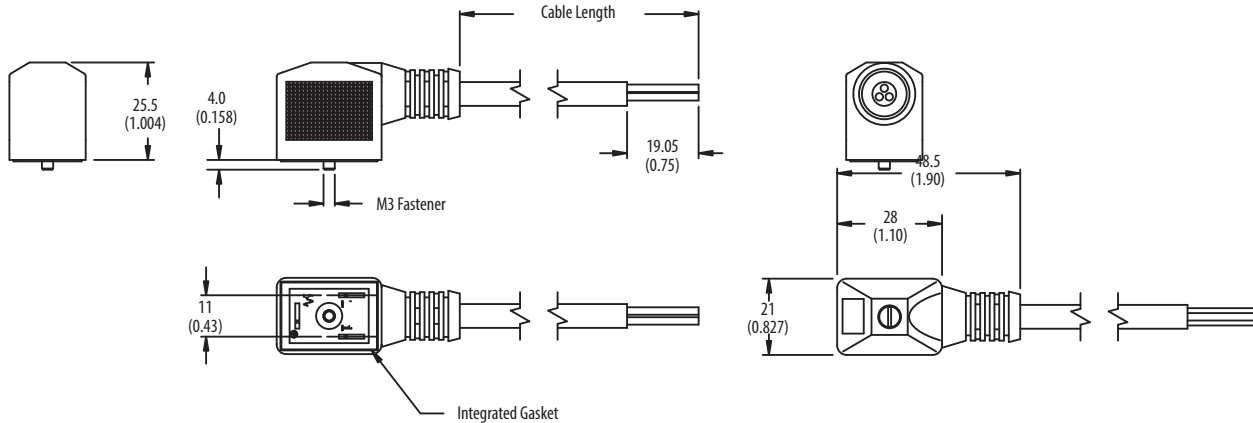
Valve B Cordset

Specifications

Certifications	UL Recognized and CSA Certified
Mechanical	
Housing Material	Molded oil-resistant PUR (NonLED version: black, LED version: clear)
Gasket Material	Nitrile
Contact Material	Tin-plated copper
Mounting Screw	18-8 Stainless Steel
Cable Type	Oil-resistant PVC jacket, 18 AWG conductor, 300V, UL Recognized and CSA Certified
Home Run Connection	10x diameter, min.
Cable Diameter [mm (in.)]	18 AWG, 3-conductor: 5.5 (0.216), 4-conductor: 6 (0.235)
Electrical	
Cable Rating	UL AWM style 2661 VW-1 105C 300V, CSA AWM A/B I/II 80C 300V FT1, UV oil and water resistant
Assembly Rating	Straight Wired: 0...250V AC/DC, 10 A LED & Varistor surge suppression: 24V or 115V AC/DC, 10 A
Environmental	
Enclosure Type Rating	IP67, NEMA 6
Temperature Rating [C (F)]	-25...+80° (-13...+176°)

Approximate Dimensions

Dimensions are in millimeters (inches). Illustrations are not drawn to scale.



Pinout

Face View Pinout		
2-Pin		5-Pin
Ground Toward Cable Exit	Ground Away from Cable Exit	
		 Female
1 Brown 2 Blue GND Yellow & Green		 Male
		1 Brown 2 White 3 Blue 4 Black 5 Grey

Cordsets & Patchcords, DIN Valve Style

DIN Valve C (9.4 mm)



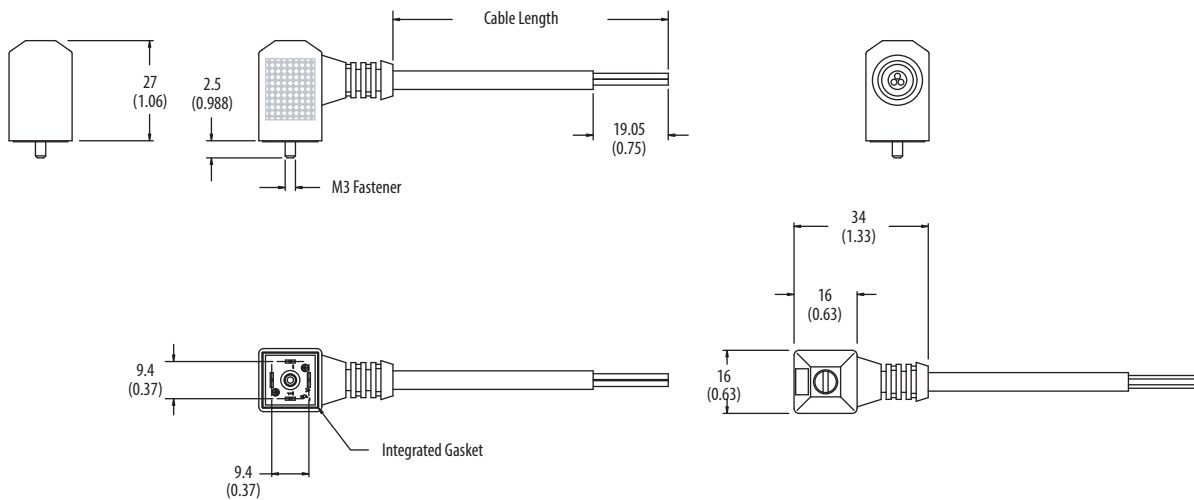
Valve C Cordset

Specifications

Certifications	UL Recognized and CSA Certified
Mechanical	
Housing Material	Molded oil-resistant PUR (NonLED version: black, LED version: clear)
Gasket Material	Nitrile
Contact Material	Tin-plated copper
Mounting Screw	18-8 Stainless Steel
Cable Type	Oil-resistant PVC jacket, 20 AWG conductor, 300V, UL Recognized and CSA Certified
Bend Radius	10x diameter, min.
Cable Diameter [mm (in.)]	20 AWG, 4-conductor: 5.2 (0.205)
Electrical	
Cable Rating	UL AWM style 2661 VW-1 105C 300V, CSA AWM A/B I/II 80C 300V FT1, UV oil and water resistant
Assembly Rating	Straight Wired: 0...250V AC/DC, 6 A LED & Varistor Surge Suppression: 24V or 115V AC/DC, 6 A
Environmental	
Enclosure Type Rating	IP67, NEMA 6
Temperature Rating [C (F)]	-25...+80° (-13...+176°)

Approximate Dimensions

Dimensions are in millimeters (inches). Illustrations are not drawn to scale.



Pinout

Face View Pinout	
2-Pin Dual Ground	5-Pin
1 Brown 2 Blue GND Yellow & Green	1 Brown 2 White 3 Blue 4 Black 5 Grey

Field Attachable, DIN Valve Style

DIN Valve A (18 mm)



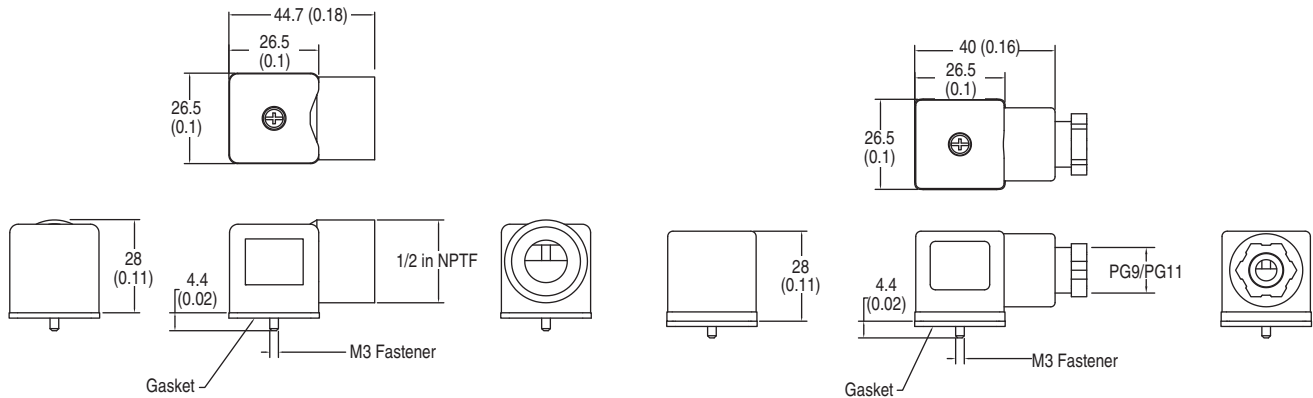
Valve A

Specifications

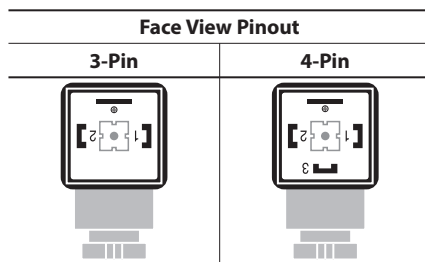
Mechanical	
Connector Shell Material	Polyamid Nylon 6
Gasket Material	Nitrile
Mounting Screw	Zinc-plated steel
No. of Main Contacts	2 + ground, 3 + ground
Cable Type	Connector accepts 14 AWG max.
Electrical	
Assembly Rating	Straight Wire: 0...250V, 10 A LED & Varistor surge suppression: 24V, 115V or 230V, 10 A
Environmental	
Enclosure Type Rating	IP65; NEMA 4
Operating Temperature [C (F)]	-25...+90° (-13...+194°)

Approximate Dimensions

Dimensions are in millimeters (inches). Illustrations are not drawn to scale.



Pinout



Note: The faceplate may be oriented in 90° increments.

Field Attachable, DIN Valve Style DIN Valve B (11 mm) and BEU (10 mm)



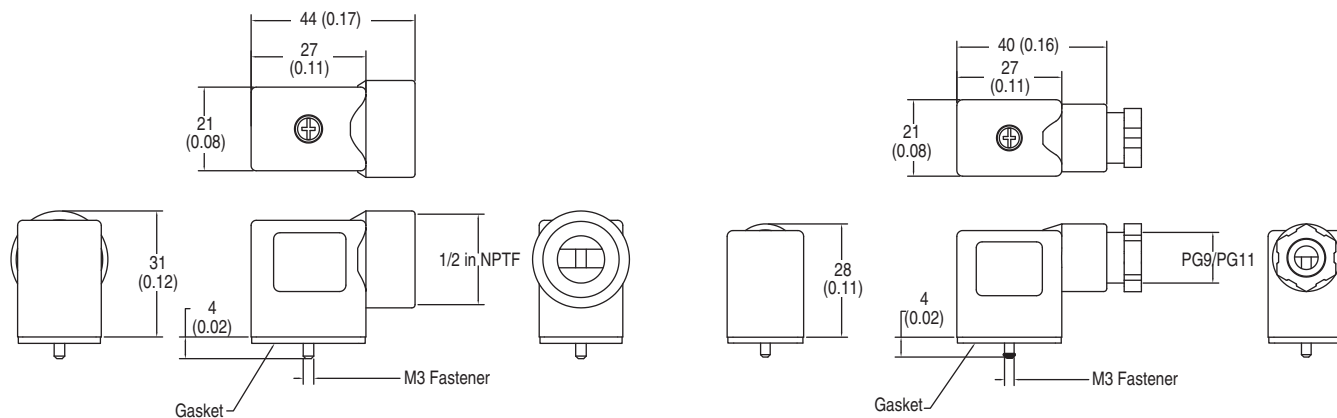
Valve B & BEU

Specifications

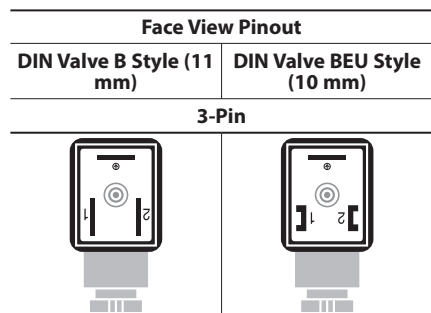
Mechanical	
Connector Shell Material	Polyamid Nylon 6
Gasket Material	Nitrile
Mounting Screw	Zinc-plated steel
No. of Main Contacts	2 + ground
Cable Type	Connector accepts 14 AWG max.
Electrical	
Assembly Rating	Straight Wire: 0...250V, 10 A LED & Varistor surge suppression: 24V, 115V or 230V, 10 A
Environmental	
Enclosure Type Rating	IP65; NEMA 4
Operating Temperature [C (F)]	-25...+90° (-13...+194°)

Approximate Dimensions

Dimensions are in millimeters (inches). Illustrations are not drawn to scale.



Pinout



Note: The faceplate may be oriented in 180° increments.

Field Attachable, DIN Valve Style

DIN Valve C (9.4 mm) and CEU (8 mm)



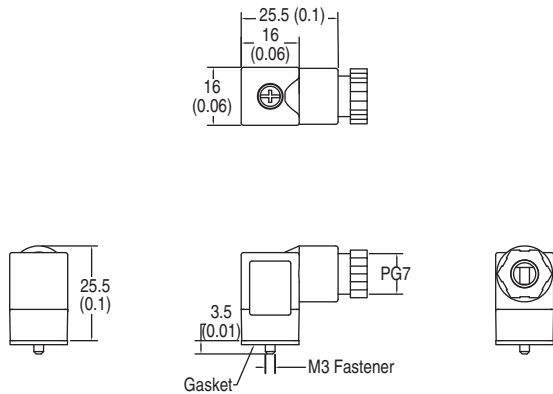
Valve C & CEU

Specifications

Mechanical	
Connector Shell Material	Polyamid Nylon 6
Gasket Material	Nitrile
Mounting Screw	Zinc-plated steel
No. of Main Contacts	2 + ground, 3 + ground
Cable Type	Connector accepts 20 AWG max.
Electrical	
Assembly Rating	Straight Wire: 250V AC/300V DC, 6 A LED & Varistor surge suppression: 24V, 115V or 230V, 6 A
Environmental	
Enclosure Type Rating	IP65; NEMA 4
Operating Temperature [C (F)]	-25...+90° (-13...+194°)

Approximate Dimensions

Dimensions are in millimeters (inches). Illustrations are not drawn to scale.



Pinout

Face View Pinout			
DIN Valve C Style (9.4 mm)		DIN Valve CEU Style (8 mm)	
3-Pin	4-Pin	3-Pin	4-Pin

Note: The faceplate may be oriented in 90° increments.



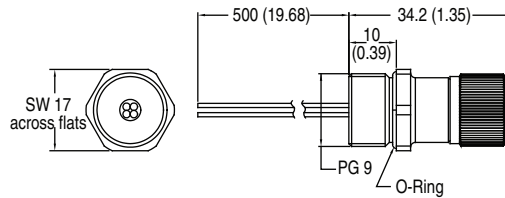
4-Pin IDC Receptacle

Specifications

Mechanical	
Receptacle Shell Material	Nickel-plated brass
Coupling Nut Material	Nickel-plated brass
Connector Shell Material	Nickel-plated brass
Connector Insert Material	Black PUR
Contact Material	Gold over nickel-plated brass
IDC Installations, max.	10
Conductor OD [mm (in.)]	24...22 AWG, 1.6...2.0 (0.063...0.079)
Cable Diameter	1.2...1.6 (0.047...0.063)
Wire Insulation	Oil-resistant PVC, 22 AWG stranded copper, 300V, UL Recognized
Environmental	
Enclosure Type Rating	IP67, 1200 psi (8270 kPa) washdown
Operating Temperature [C (F)]	-20...+85° (-4...+185°)

Approximate Dimensions

Dimensions are in millimeters (inches). Illustrations are not drawn to scale.



Cable Spools



22 & 18 AWG, PVC

Specifications

Cable Type	Oil-resistant PVC jacket, PVC insulated conductors, 300V
Cable Rating	UL AWM style 2661 VW-1 105C 300V, CSA AWM A/B I/II 80C 300V FT1, UV oil and water resistant
Operating Temperature [C (F)]	-20...+105° (-4...+221°)



PUR 22 AWG & TPE 18 AWG

Specifications

Cable Type	Oil-resistant jacket, PVC insulated conductors, 300V
Cable Rating	PUR: UL AWM style 20866 VW-1 80C 300V, CSA AWM A/B I/II 80C 300V FT1, UV oil and water resistant; TPE: UL AWM style 20327 VW-1 105C 300V, CSA AWM A/B I/II 105C 300V FT1, UV oil and water resistant
Operating Temperature [C (F)]	PUR: -20...+80° (-4...+176°); TPE: -20...+105° (-4...+221°)

Allen-Bradley and Rockwell Automation are trademarks of Rockwell Automation, Inc. Trademarks not belonging to Rockwell Automation are property of their respective companies.

www.rockwellautomation.com

Power, Control and Information Solutions Headquarters

Americas: Rockwell Automation, 1201 South Second Street, Milwaukee, WI 53204-2496 USA, Tel: (1) 414.382.2000, Fax: (1) 414.382.4444
Europe/Middle East/Africa: Rockwell Automation NV, Pegasus Park, De Kleetlaan 12a, 1831 Diegem, Belgium, Tel: (32) 2 663 0600, Fax: (32) 2 663 0640
Asia Pacific: Rockwell Automation, Level 14, Core F, Cyberport 3, 100 Cyberport Road, Hong Kong, Tel: (852) 2887 4788, Fax: (852) 2508 1846