

# 61110-BE6



**UPC Code:** 07847720836

**Country of Origin:** United States - *\*Eligible for ARRA funded projects*



*\*May include one or more globally sourced components.*



## Connectors

### Brand Features

The eXtreme Cat 6 connector is designed to be used with all QuickPort compatible products. The connector includes patented Retention Force Technology which promotes consistent performance over the life of the system. It features unique pair separation towers allowing for quicker and easier terminations. The connector is built on a 180-degree configuration with the punch field in the back, allowing for rear termination.

### Item Description

eXtreme Cat 6 QuickPort Connector Quickpack, 25-pack, Black

### Technical Information

#### Environmental Specifications

**Flammability:** Rated UL94V-0

#### Material Specifications

**Contact Surface Material:** 50 microinches thick Gold-Plated

**Contact Sub-Surface Material:** 100 microinches thick Nickel-Plated

**Contact Base Material:** Phosphor Bronze

**Body Material:** High-Impact Fire-Retardant Plastic

**Body Color:** Black

#### Standards and Certifications

**TIA/EIA:** TIA-568-B

**UL:** cULus Listed

**CSA:** Certified

**NEC:** Article 800 Compliant

**FCC:** Part 68 Compliant

#### Mechanical Specifications

**Position / Conductor:** 8P8C

**Style Name:** eXtreme

**Termination Type:** 110 Punchdown

**Connector Feature:** Channel/Component Rated

**Cable Type:** 8-Conductor UTP Copper Cat 5, 5e and 6

**Product ID:** Permanently laser-engraved

**Wiring Standard:** T568A T568B

#### Performance Specifications

**Module Type:** Category 6

#### Product Features

**Module Style:** Connector

**Module Type:** Category 6

**Position / Conductor:** 8P8C

**Cable Type:** 8-Conductor UTP Copper Cat 5, 5e and 6

**Connector Feature:** Channel/Component Rated

**Termination Type:** 110 Punchdown

**Contact Surface Material:** 50 microinches thick Gold-Plated

**Contact Sub-Surface Material:** 100 microinches thick Nickel-Plated

**Contact Base Material:** Phosphor Bronze

**Category Rating:** eXtreme CAT 6+

**Body Color:** Black

**Standards and Certifications:** TIA/EIA

cULus Listed

**Warranty:** 1 Year Limited

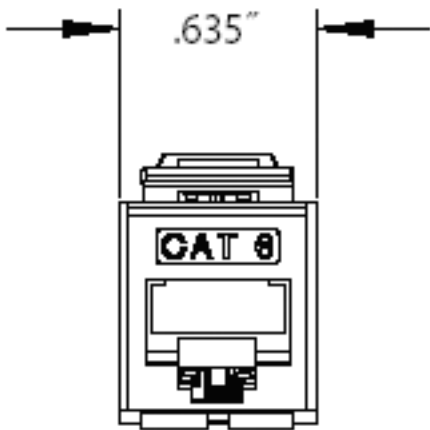
**Packaging:** QuickPack 25/bag

**Color:** Black

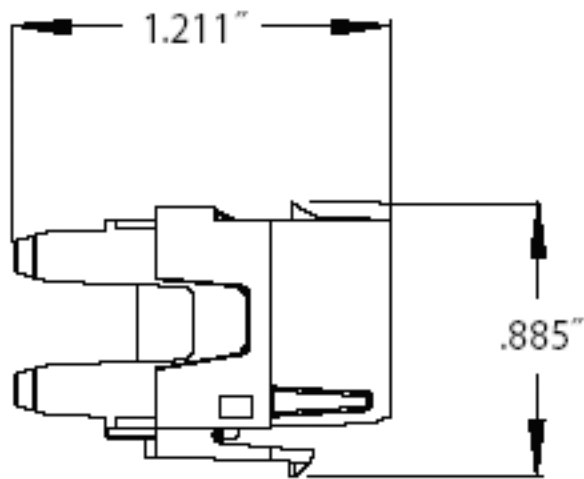
**Ordering Notes:** Bulk Package of 25

**Features and Benefits**

- Component Rated
- Terminates 26-22 AWG solid conductors
- Capable of multiple reterminations
- Gas-tight IDC connectors prevent corrosion
- Dual-layer T568B/T568A wiring label simplifies punchdown
- Patented Retention Force Technology protects tines from damage from 4- or 6-pin plugs
- Pair Separation Tower design facilitates separation of conductors



Front View



Side View

**SPECIFICATION SUBMITTAL**

JOB NAME: <input type="text"/>	CATALOG NUMBERS: <input type="text"/>	
JOB NUMBER: <input type="text"/>	<input type="text"/>	<input type="text"/>

**Leviton Manufacturing Co., Inc.**

201 North Service Road, Melville, NY 11747

Telephone: 1-800-323-8920 · FAX: 1-800-832-9538 · Tech Line (8:30AM-7:30PM E.S.T. Monday-Friday): 1-800-824-3005

**Leviton Manufacturing of Canada, Ltd.**

165 Hymus Boulevard, Pointe Claire, Quebec H9R 1E9 · Telephone: 1-800-469-7890 ·

FAX: 1-800-824-3005 · [www.leviton.com/canada](http://www.leviton.com/canada)

**Leviton S. de R.L. de C.V.**

Lago Tana 43, Mexico DF, Mexico CP 11290 · Tel.: (+52)55-5082-1040 · FAX: (+52)5386-1797 · [www.leviton.com.mx](http://www.leviton.com.mx)

**Visit our Website at: [www.leviton.com](http://www.leviton.com)**

© 2012-2016 Leviton Manufacturing Co., Inc. All rights reserved. Subject to change without notice.



**Leviton has a global presence.**

If you would like to know where your local Leviton office is located please go to: [www.leviton.com/international/contacts/](http://www.leviton.com/international/contacts/)

*\*Buy American Compliant Logo -- The American Recovery And Reinvestment Act of 2009 ("ARRA") provides federal grants and loans for projects throughout the country. Section 1605 of the Act, named the "Buy American" provision, requires that certain materials and manufactured products used in projects funded by the Act be manufactured in the United States. The appearance of the Recovery Act Logo in relation to a Leviton product is only intended to reflect that such product may be used in an ARRA funded project. It does not mean that such product or Leviton is sponsored or endorsed by, or that Leviton receives funds from, the federal government or the Recovery Accountability and Transparency Board. Nothing in Leviton's use of the logo is intended to suggest anything regarding the requirements for funding under ARRA.*