

# Accessories


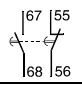
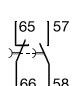

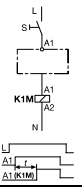
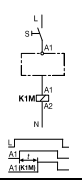

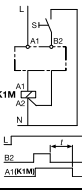
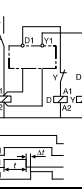

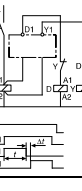


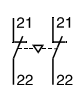

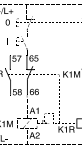
## Auxiliary Contact Blocks

	Description <sup>(1)</sup>	Connection Diagrams	Symbol		For Use With	Cat. No.			
			N.O.	N.C.		Standard Auxiliary Contact <sup>(2)</sup>	Bifurcated Auxiliary Contact		
 <p><b>Auxiliary Contact Blocks for Front Mounting</b></p> <ul style="list-style-type: none"> <li>• 2- and 4-pole</li> <li>• Quick and easy mounting without tools</li> <li>• Electronic-compatible contacts down to 17V, 5mA</li> <li>• Mechanically linked performance between N.O. and N.C. poles and to the main contactor poles (except for L types)</li> <li>• Models with equal function with several terminal numbering choices</li> <li>• 1L = Late break N.C. / early make N.O.</li> <li>• Bifurcated version for switching down to 5V, 3 mA also available</li> </ul>		0	2	100-C all	100-FA02	100-FAB02			
						C30⊗00...C97⊗00	100-FB02	100-FBB02	
		1	1	100-C all	100-FA11	100-FAB11	C30⊗00...C97⊗00	100-FB11	100-FBB11
						C09⊗10...C23⊗10	100-FC11	100-FCB11	
		2	0	100-C all	100-FA20	100-FAB20	C30⊗00...C97⊗00	100-FB20	100-FBB20
		1L	1L	100-C all	100-FAL11	—	C30⊗00...C97⊗00	100-FBL11	—
		0	4	100-C all	100-FA04	100-FAB04			
		1	3	100-C all	100-FA13	100-FAB13			
		2	2	100-C all	100-FA22	100-FAB22			
				C30⊗00...C97⊗00	100-FB22	100-FBB22			
				C09⊗10...C23⊗10	100-FC22	100-FCB22			
				100-C all	100-FA31	100-FAB31			
		3	1	C09⊗10...C23⊗10	100-FC31	100-FCB31			
		4	0	100-C all	100-FA40	100-FAB40			
1+1L	1+1L	100-C all	100-FAL22	—					
 <p><b>Auxiliary Contact Blocks for Side Mounting without Sequence Terminal Designations</b></p> <ul style="list-style-type: none"> <li>• 1- and 2-pole</li> <li>• Two-way numbering for right or left mounting on the contactor</li> <li>• Quick and easy mounting without tools</li> <li>• Electronic-compatible contacts down to 17V, 10 mA</li> <li>• Mirror contact performance to the main contactor poles</li> <li>• 1L = Late break N.C. / early make N.O.</li> </ul>		0	1	100-C all	100-SA01	—			
		1	0	100-C all	100-SA10	—			
		0	2	100-C all	100-SA02	—			
		1	1	100-C all	100-SA11	—			
		2	0	100-C all	100-SA20	—			
		1L	1L	100-C all	100-SAL11	—			
 <p><b>Auxiliary Contact Blocks for Side Mounting with Sequence Terminal Designations</b></p> <ul style="list-style-type: none"> <li>• 1- and 2-pole</li> <li>• Two-way numbering for right or left mounting on the contactor</li> <li>• Quick and easy mounting without tools</li> <li>• Electronic-compatible contacts down to 17V, 10 mA</li> <li>• Mirror contact performance to the main contactor poles</li> <li>• 1L = Late break N.C. / early make N.O.</li> </ul>		0	1	100-C	100-SB01	—			
		1	0	100-C <sup>(3)</sup>	100-SB10	—			
		0	2	100-C <sup>(3)</sup>	100-SB02	—			
		1	1	100-C <sup>(3)</sup>	100-SB11	—			
		2	0	100-C <sup>(3)</sup>	100-SB20	—			
		1L	1L	100-C <sup>(3)</sup>	100-SBL11	—			

(1) Max. number of auxiliary contacts that may be mounted:  
AC and 24V DC electronic coil contactors—max. 4 N.O. contacts on the front of the contactor, 2 N.O. contacts on the side, 4 N.C. front or side, 6 total. DC Coil contactors—max. 4 N.O. contacts on the front of the contactor or max. 2 N.O. contacts on the side, 4 N.C. front or side, 4 total.  
(2) For screwless terminals (front mount only), insert "CR" after the "100-" in the catalog number. Example: Cat. No. 100-FA02 becomes Cat. No. 100-CRFA02.  
(3) Double numbering—Left-side mounting only is recommended for Cat. No. 100-C09...100-C23 due to double numbering.

# Control Modules

## Timers

	Description		Connection Diagrams	For Use With	Cat. No.
	Pneumatic Timing Modules <ul style="list-style-type: none"> <li>Pneumatic timing element contacts switch after the delay time. The contacts on the main control relay continue to operate without delay</li> </ul>	On-Delay, 0.3...30 s		100-C or 700-CF with AC or 24V DC electronic coils <sup>(1)</sup>	100-FPTA30
		2...180 s			100-FPTA180
		Off-Delay 0.3...30 s		100-C all, 700-CF all	100-FPTB30
		2...180 s			100-FPTB180
	Electronic Timing Modules — On-Delay <ul style="list-style-type: none"> <li>Delay of the contactor or control relay solenoid. The contactor or control relay is energized at the end of the delay time.</li> </ul>	0.1...3 s		100-C or 700-CF with 110...240V, 50/60Hz or 110...250V DC coils	100-ETA3
		1...30 s			100-ETA30
		10...180 s			100-ETA180
		0.1...3 s		100-C or 700-CF with 24...48VDC coils	100-ETAZJ3
		1...30 s			100-ETAZJ30
		10...180 s			100-ETAZJ180
	Electronic Timing Modules — Off-Delay <ul style="list-style-type: none"> <li>Delay of the contactor or control relay solenoid. After interruption of the control signal, the contactor or control relay is de-energized at the end of the delay time.</li> </ul>	0.3...3 s		100-C09...C37 or 700-CF with 24V 50/60Hz	100-ETBKJ3
		1...30 s			100-ETBKJ30
		10...180 s			100-ETBKJ180
		0.3...3 s		100-C or 700-CF with 110...240V 50/60Hz coils	100-ETB3
		1...30 s			100-ETB30
		10...180 s			100-ETB180
	Electronic Timing Modules <ul style="list-style-type: none"> <li>Delay of the contactor solenoid. Contactor K 3(Y) is de-energized (off) and K 2 (D) is energized (on) after the end of the set Y end time. (Switching delay at 50 ms.)</li> <li>Continuous adjustment range</li> <li>High repeat</li> </ul>	Transition Time Y Contactor 1...30 s		100-C with 110...240V 50/60Hz coils	100-ETY30
	Mechanical Interlocks <ul style="list-style-type: none"> <li>For interlocking of two contactors.</li> <li>Common interlock for most Bul. 100-C contactor sizes</li> <li>Interlocking or different sizes possible</li> <li>Mechanical and electrical interlocking possible in one module by means of integrated auxiliary contacts</li> <li>9 mm dovetail connector included</li> </ul>	Mechanical only, without auxiliary contacts		100-C (except 100-C40, -C90)	100-MCA00
		Mechanical/electrical interlock with 2 N.C. auxiliary contacts		100-C (except 100-C40, -C90)	100-MCA02
	Mechanical Latch <ul style="list-style-type: none"> <li>Following contactor latching, the contactor coil is immediately de-energized (off) by the N.C. auxiliary contact (65-66).</li> <li>Electrical or manual release</li> <li>1 N.O. + 1 N.C. auxiliary contacts</li> <li>Suitable for all Bul. 100-C contactor sizes, 9...97 A</li> </ul>	Maximum command duration 0.03...10 s		100-C with AC or 24V DC electronic coils (except 100-C90)	100-FL11⊗


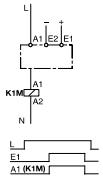

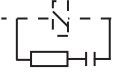
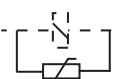
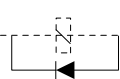
(1) Cannot be used with side-mounted auxiliary contacts on 700-CF DC relays.

**Coil Voltage Code:** The Cat. No. as listed is incomplete. Select a coil voltage code from the table below to complete the Cat. No. Example: 120V, 60 Hz: Cat. No. 100-FL11⊗ becomes Cat. No.100-FL11D

AC Voltages [V] <sup>(1)</sup>	24	48	100	110	120	230...240	240	277	380...400	400...415	440	480
50 Hz	K	Y	KP	D	—	VA	KA	—	N	G	B	—
60 Hz	J	—	—	—	D	—	KA	T	—	—	N	B


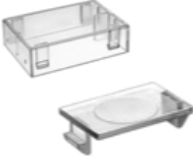


(1) For special voltages, consult your local Rockwell Automation sales office or Allen-Bradley distributor.

## Control Modules (For 100-C09...C97 contactors), Continued

	Description	Voltage Range	Connection Diagrams	For Use With	Cat. No.	
	DC Interface (Electronic) <ul style="list-style-type: none"> <li>Interface between the DC control signal (PLC) and the AC operating mechanism of the contactor.</li> <li>Requires no additional surge suppression on the relay coils.</li> </ul>	Input: 12V DC Output: 110...240V AC		100-C with AC coils 110...240V AC	100-JE12	
		Input: 18...30V DC Output: 110...240V AC			100-JE	
		Input: 48V DC Output: 110...240V AC			100-JE48	
	Surge Suppressors <ul style="list-style-type: none"> <li>For limitation of coil switching transients.</li> <li>Plug-in, coil mounted.</li> <li>Suitable for 100-C contactor sizes, 9...97 A.</li> <li>RC, varistor, and diode versions.</li> </ul>	RC Module AC operating mechanism		100-C with Coils	24...48V AC, 50/60 Hz	100-FSC48 <sup>(1)</sup>
		Varistor Module AC/DC operating mechanism			110...280V AC, 50/60 Hz	100-FSC280 <sup>(1)</sup>
					380...480V AC, 50/60 Hz	100-FSC480 <sup>(1)</sup>
			12...55V AC, 12...77V DC		100-C with AC coils or 100-C09...-C43 with DC coils	100-FSV55 <sup>(1)</sup>
		56...136V AC/78...180V DC	100-FSV136 <sup>(1)</sup>			
		137...277V AC/181...350V DC	100-FSV277 <sup>(1)</sup>			
		Diode Module DC operating mechanism	278...575V AC		100-C09...-C43 with DC coils	100-FSV575 <sup>(1)</sup>
		1...30 s 10...180 s	100-FSD250 <sup>(1)</sup>			

(1) For screwless terminals, insert "CR" after the "100-" in the catalog number. Example: Cat No. 100-FSC48 becomes Cat. No.-CRFSC48.

## Assembly Components (For 100-C09...C97 contactors)

	Description	For Use With	Pkg. Qty.	Cat. No.
	Dovetail Connectors <ul style="list-style-type: none"> <li>For use in contactor and starter assemblies</li> <li>Single Connector — 0 mm spacing</li> </ul>	100-C	10	100-S0
	Dovetail Connectors <ul style="list-style-type: none"> <li>For use in contactor and starter assemblies</li> <li>Single Connector — 9mm spacing</li> </ul>		10	
	Protective Covers <ul style="list-style-type: none"> <li>Provides protection against unintended manual operation</li> <li>For contactors and front-mounted auxiliary contacts, pneumatic timers, and latches</li> </ul>	100-C all	1	100-SCCA
		100-FA, -FB, -FC, -FP, -FL	10	100-SCFA
	Reversing Power Wiring Kits <ul style="list-style-type: none"> <li>For reversing connection with a solid-state or thermal overload relay</li> </ul>	100-C09...C23	1	105-PW23
		100-C30...C37	1	105-PW37
		100-C43...C55	1	105-PW55
		100-C60...C97	1	105-PW85
	DIN (#3) symmetrical hat rail <ul style="list-style-type: none"> <li>35 x 7.5 x 1 m</li> </ul>	140M-D 140M-F 100-C all	10	199-DR1