

**DEADENDS
BOLTED
STRAIGHT-LINE SPRING-LOADED—SIDE OPENING
ALUMINUM**

ALUMINUM
ASOD

**DA
11**

For distribution and light transmission construction with AAC, AAAC and ACSR conductors. The vertical spring-loaded keeper provides the easiest installation of any current bolted strain clamp.

Material: Body and Keeper — 356-T6 aluminum alloy
Hardware — galvanized steel
Sockets and Clevises — ductile iron, galvanized
Spring and Cotter Pin — stainless steel

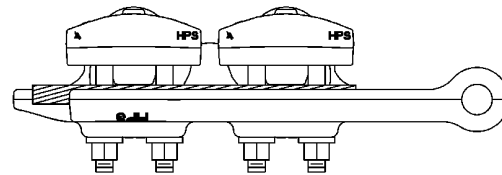
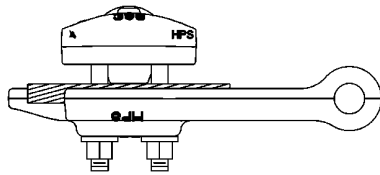
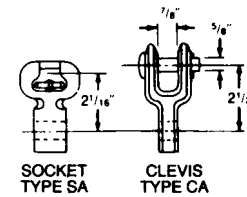
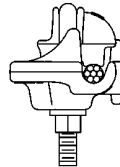
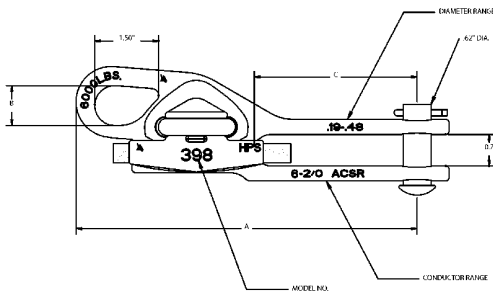


Fig. 1

Fig. 2

CAT. NO.	U-BOLTS		CLAMPING RANGE						ULT. STR. (LBS)		DIMENSIONS IN INCHES		
	NO.	SIZE	ACSR		ALUMINUM		INCHES		BODY	SAG EYE	A	B	C
			MIN.	MAX.	MIN.	MAX.	MIN.	MAX.					
ASOD3981N	1	3/8	#6 (6/1)	2/0 (6/1)	#4 (7)	2/0 (19)	0.19	0.48	6000	6000	8.00	1.00	3.62
ASOD5701N	1	1/2	#6 (6/1)	4/0 (6/1)	#4 (7)	4/0 (19)	0.19	0.57	8000	8000	8.62	1.00	3.75
ASOD6841N	1	1/2	#4 (6/1)	336.4 (18/1)	#4 (7)	350 (37)	0.25	0.69	8000	8000	9.00	1.00	4.50
ASOD8581N	1	1/2	#4 (6/1)	556.5 (18/1)	#2 (7)	556.5 (37)	0.25	0.89	8000	6000	9.75	1.00	4.75
ASOD8582N	2	1/2	3/0 (6/1)	556.5 (18/1)	4/0 (7)	556.5 (37)	0.50	0.89	12000	9000	13.50	1.00	6.00
ASOD11602N	2	1/2	336.4 (18/1)	900 (54/7)	397.5 (19)	954 (61)	0.69	1.16	12000	9000	16.75	1.50	7.75

NOTE: (1) Recommended torque on U-bolts: 3/8"—25 lb.-ft., 1/2"—45 lb.-ft.
(2) Add Suffix "C" for Clevis Fitting (Type CA)
(3) Add Suffix "S" for Socket Eye Fitting (Type SA)

DISTRIBUTION CONNECTORS



DEADENDS SINGLE BOLT STRAIGHT-LINE SPRING-LOADED – SIDE-OPENING ALUMINUM

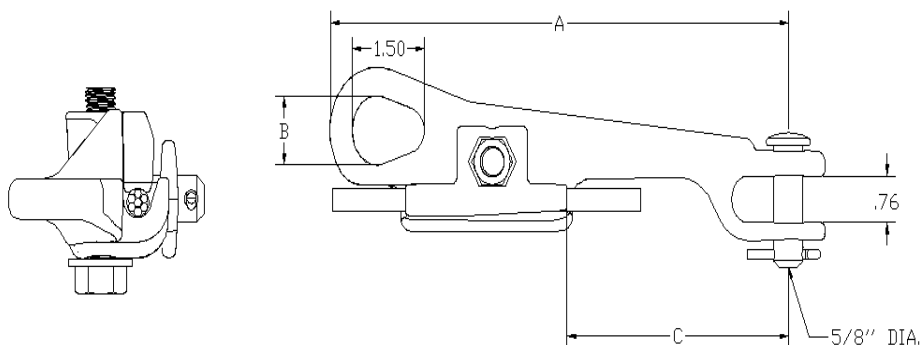
DA
12

ALUMINUM
ADSB



For distribution construction using AAC, AAAC and ACSR conductors. The spring-loaded design holds the keeper out of the way for easier conductor installation. The heavy-duty single 1/2" bolt allows installation by hand or hydraulic.

Material: Body and Keeper – 356 T6 Aluminum
Hardware – Galvanized Steel
Spring and Cotter – Stainless Steel



CAT NO.	BOLT		CLAMPING RANGE						ULT STR (LBS)		DIMENSIONS IN INCHES		
	NO	SIZE	ACSR		ALUMINUM		INCHES		BODY	SAG EYE	A	B	C
			MIN.	MAX.	MIN.	MAX.	MIN.	MAX.					
ADSB48N	1	1/2	#6 (6/1)	2/0 (6/1)	#4 (7 STR)	2/0 (19 STR)	0.19	0.48	6,000	6,000	9.6	1.13	4.63

DEADENDS BOLTED STRAIGHT LINE SPRING-LOADED—SIDE-OPENING ALUMINUM

ALUMINUM
ADEZ / ADSO

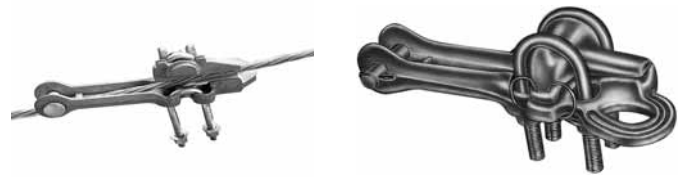
DA
13

For distribution and light transmission construction with all aluminum, ACSR or aluminum alloy conductor. The spring loaded keeper permits easy conductor insertion and lower installation cost.

Captive nuts prevent disassembly and loss of hardware during installation on energized or de-energized lines.

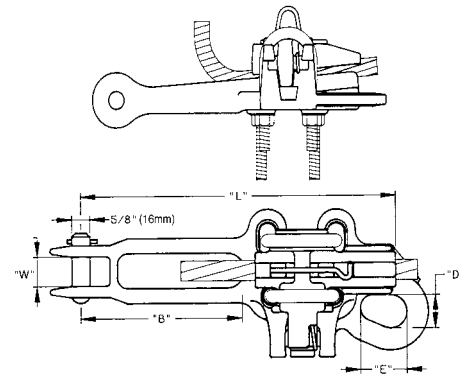
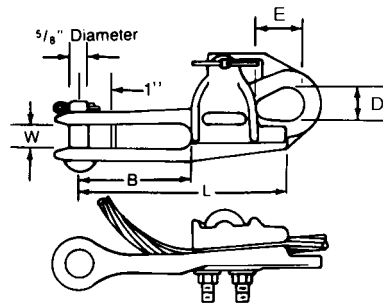
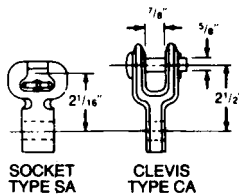
The pivotal keeper design avoids friction between body and keeper during installation.

Material: Body and Keeper—356-T6 aluminum alloy
Hardware—galvanized steel
Sockets and Clevises—ductile iron, galvanized
Spring & Cotter Pin—#302 stainless steel



ADSO

ADEZ



US PATENT NO. 4,969,616

CATALOG NUMBER	FITTING		CLAMPING RANGE			ULTIMATE BODY STRENGTH LBS. (KG)	U-BOLTS		DIMENSIONS INCHES (MM)					APPROX. WT. EACH LBS. (KG)
	TYPE	CAT. NO.	ACSR	ALUMINUM	INCHES (MM)		NO.	SIZE INCHES (MM)	L	B	W	D	E	
ADSO46N ADSO46S ADSO46C	None Socket Clevis	- SA04 CA04	#6 (6/1) To 2/0 (6/1)	#4 To 3/0	.18-.46 (4.57-11.68)	6,000 (2,722)	1	3/8 (9.53)	6-5/8 (168.4)	3-5/8 (92.2)	3/4 (19.05)	1 25.4	1-1/2 38.1	1.2 (.54) 2.4 (1.09) 2.8 (1.27)
ADEZ47N ADEZ47S ADEZ47C	None Socket Clevis	- SA04 CA04	#6 (6/1) To 2/0 (6/1)	#4 (7) To 3/0 (9)	.18-.47 (4.57-11.98)	7,000 (3,175)	2	3/8 (9.53)	6-5/8 (168.4)	3-5/8 (92.2)	3/4 (19.05)	1 25.4	1-1/2 38.1	1.3 (.59) 2.5 (1.13) 2.9 (1.31)
ADEZ57N ADEZ57S ADEZ57C	None Socket Clevis	- SA04 CA04	#4 (6/1) To 4/0 (6/1)	#4 (7) To 4/0 (19)	.23-.57 (5.84-14.48)	8,000 (3,629)	2	3/8 (9.53)	7-7/8 (123.8)	4-1/8 (104.8)	3/4 (19.05)	1 25.4	1-1/2 38.1	1.5 (.68) 1.7 (.77) 2.1 (.95)
ADEZ88N ADEZ88S ADEZ88C	None Socket Clevis	- SA06 CA06	2/0 (6/1) To 556 (18/1)	3/0 (7) To 556 (37)	.44-.88 (11.18-22.25)	10,000 (4,536)	2	1/2 (12.70)	9-5/16 (236.54)	4-23/32 (119.83)	15/16 (23.81)	1-1/8 25.58	1-5/8 41.28	3.0 (1.36) 4.3 (1.95) 4.7 (2.13)
ADEZ116N ADEZ116S ADEZ116C	None Socket Clevis	- SA06 CA06	336.4 (18/1) To 954 (36/1)	350 (37) To 1000 (61)	.68-1.16 (17.27-29.46)	12,000 (5,443)	2	1/2 (12.70)	10-13/16 (274.63)	5-5/8 (142.90)	1 (25.40)	1-5/8 41.28	1-5/8 41.28	3.7 (1.66) 5.0 (2.27) 5.4 (2.45)

NOTES: (1) Recommended torque on bolts; 3/8"—240 in. lbs., 1/2"—480 in. lbs.
(2) For optional stainless steel lifting eye add "E" to catalog number.
Example: ADSO46EN