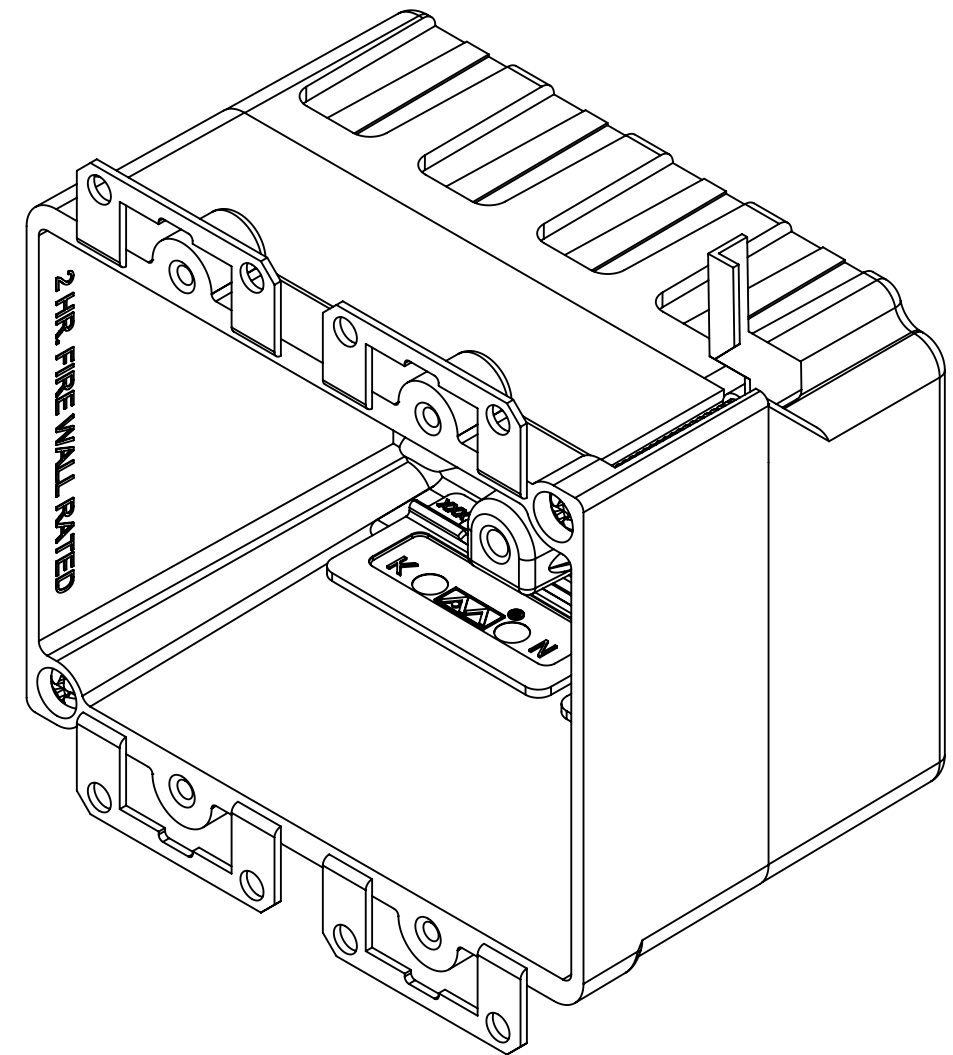
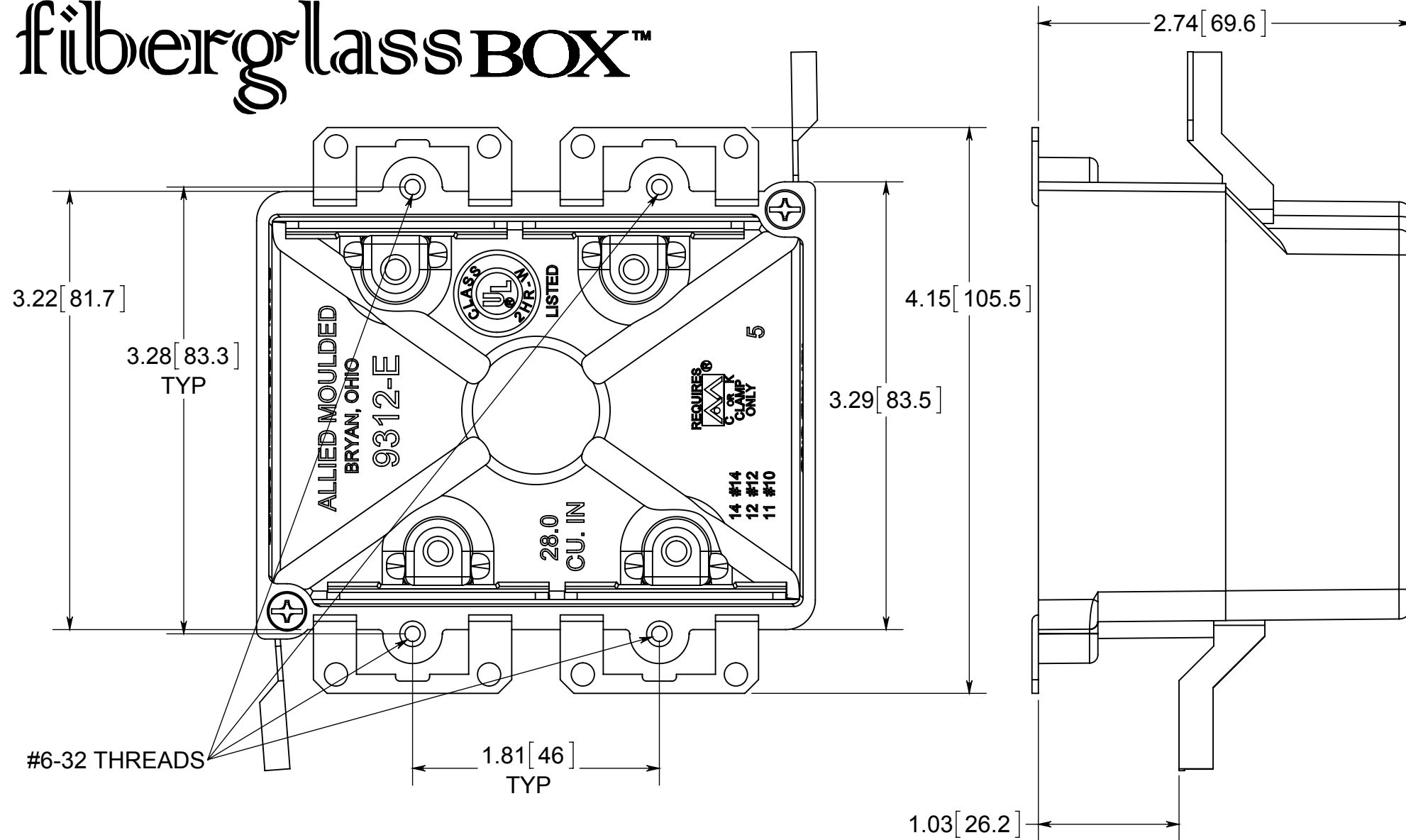
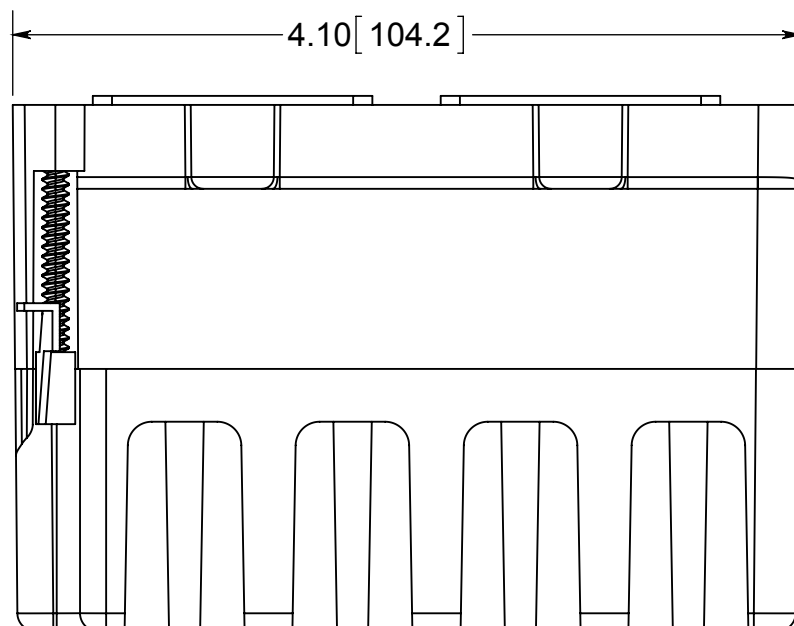


fiberglass BOX™

ISSUE DATE: 05/20/2015



- NOTES:
- 1.) BOX MATERIAL: FIBERGLASS REINFORCED POLYESTER, EAR MATERIAL: GALVANIZED STEEL, WING MATERIAL: GALVANIZED STEEL, WING SCREW MATERIAL: ZINC COATED STEEL, SPEED KLAMP MATERIAL: PVC
 - 2.) UL LISTED WITH 2 HOUR FIRE RATING FOR WALL
 - 3.) 4 SPEED KLAMPS FACTORY INSTALLED



® **ALLIED MOULDED PRODUCTS**
BRYAN, OHIO

The Original Fiber Glass Outlet Box

PRODUCT SERIES

OLD WORK TWO GANG 28.0 CU. IN.

Part No.

9312-EWK

CONFIDENTIAL

THIS MATERIAL IS OWNED BY THE ALLIED MOULDED PRODUCTS COMPANY, IS DISCLOSED IN CONFIDENCE, AND IS NOT TO BE REPRODUCED OR DISTRIBUTED WITHOUT PRIOR WRITTEN PERMISSION FROM ALLIED MOULDED PRODUCTS.