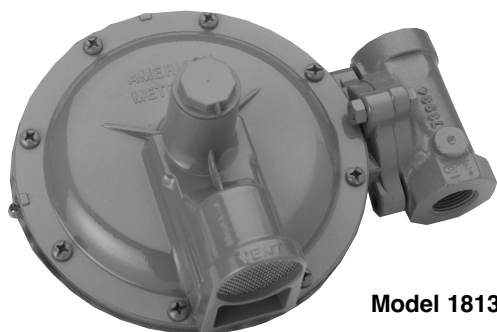


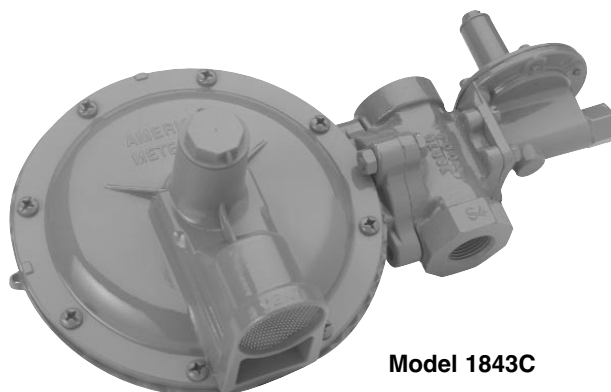
# AMERICAN METER Series 1800C & 1800C-HC Service Regulator

Models 1813C, 1813C-HC, 1843C, 1843C-HC & OPSO

## Repair Parts



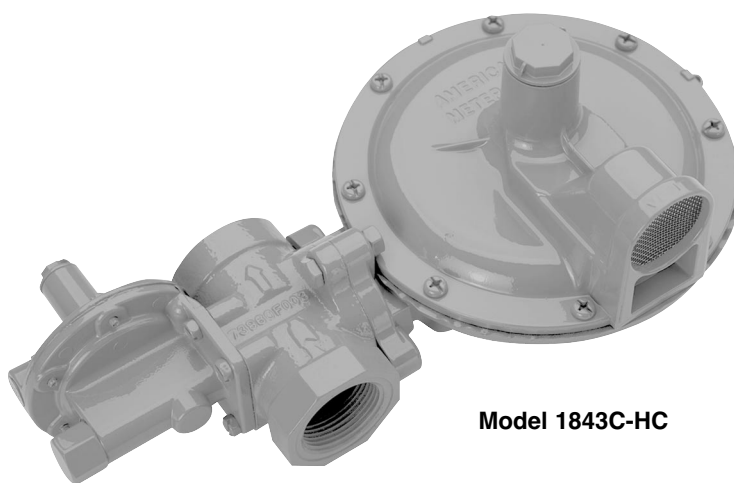
Model 1813C



Model 1843C



Model 1813C-HC



Model 1843C-HC

[www.americanmeter.com](http://www.americanmeter.com)

### AMC Quality System

QMI is Accredited by:



ISO 9001 Certified  
Certificate #006697



Dutch Council  
for Accreditation

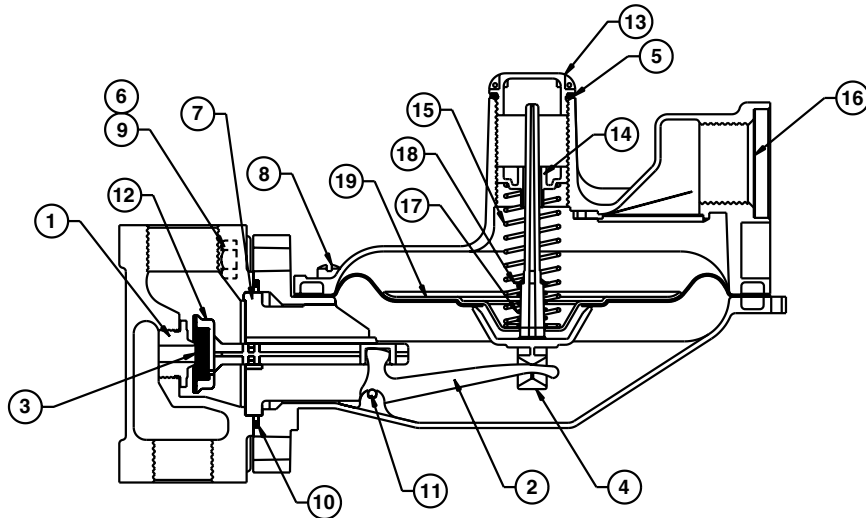


# AMERICAN METER COMPANY

*Measurement Engineers Since 1836*

# 1800C & 1800C-HC Service Regulators

## Model 1813C-180° Regulator Model 1813C-HC-180° Regulator

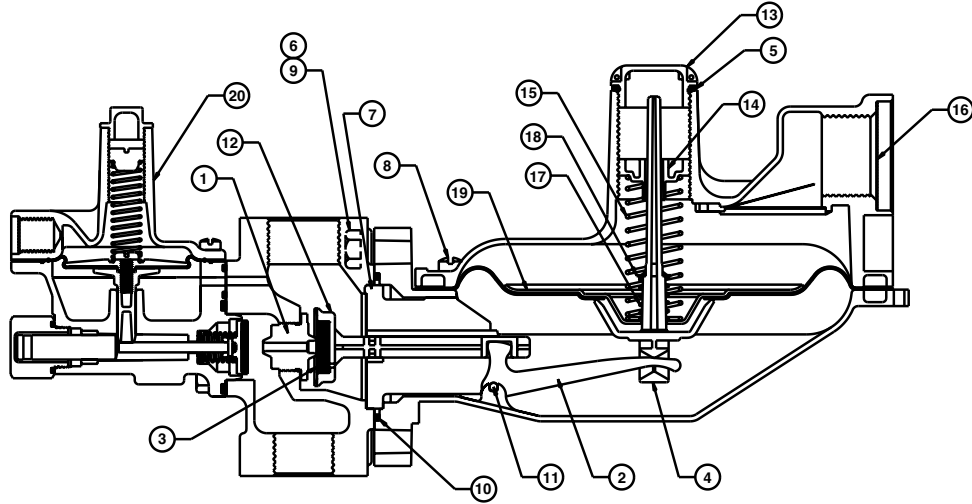


| Item No. | Description                                            | Quantity | Part No.  |
|----------|--------------------------------------------------------|----------|-----------|
| 1        | Valve 3/16" Dia. Orifice                               | 1        | 72494P020 |
| 1        | Valve 1/4" Dia. Orifice                                | 1        | 72494P021 |
| 1        | Valve 5/16" Dia. Orifice                               | 1        | 72494P022 |
| 1        | Valve 3/8" Dia. Orifice                                | 1        | 72494P023 |
| 1        | Valve 1/2" Dia. Orifice                                | 1        | 72494P025 |
| 1        | Valve 9/16" Dia. Orifice                               | 1        | 72494P026 |
| 1        | Valve 1/8" X 3/16" Dia. Dual Orifice                   | 1        | 72494P030 |
| 1        | Valve 5/32" X 3/16" Dia. Dual Orifice                  | 1        | 72494P036 |
| 1        | Valve 1/8" X 3/16" Dia. Elevation Compensation Orifice | 1        | 73698G003 |
| 1        | Valve 3/16" Dia. Elevation Compensation Orifice        | 1        | 73698G002 |
| 2        | Lever                                                  | 1        | 73938P001 |
| 3        | Disc., Valve Seat Buna N 60 Duro                       | 1        | 70041P041 |
| 3        | Disc., Valve Seat Buna N 70 Duro (Std.)                | 1        | 70041P042 |
| 3        | Disc., Valve Seat Buna N 80 Duro                       | 1        | 70041P043 |
| 4        | Stem, Diaphragm                                        | 1        | 73937P001 |
| 5        | Gasket, Seal Plug                                      | 1        | 70019P108 |
| 6        | Nut, Valve Body                                        | 2        | 22032P073 |
| 7        | Guide, Valve Plunger                                   | 1        | 73943P001 |
| 8        | Screw, Diaphragm Case                                  | 8        | 73572P006 |

| Item No. | Description                                     | Quantity | Part No.  |
|----------|-------------------------------------------------|----------|-----------|
| 9        | Bolt, Valve Body                                | 2        | 12369P038 |
| 10       | Seal Ring, Valve Body                           | 1        | 78152P008 |
| 11       | Pin, Lever                                      | 1        | 70016P017 |
| 12       | Plunger, Valve                                  | 1        | 73939P001 |
| 12       | Plunger, Valve (1813C-HC Only)                  | 1        | 73939P002 |
| 13       | Plug, Seal w/o Stamping                         | 1        | 73942F003 |
| 13       | Plug, Seal w/ Stamping                          | 1        | 73942P003 |
| 13       | Plug, Red Seal (2 PSIG Outlet)                  | 1        | 73942P002 |
| 14       | Screw, Adjusting                                | 1        | 73936P001 |
| 15       | Spring, Pressure 3.5" To 6" W.C. (Blue)         | 1        | 70017P043 |
| 15       | Spring, Pressure 3.5" To 7.5" W.C. (Tan)        | 1        | 70017P089 |
| 15       | Spring, Pressure 5.5" To 8.5" W.C. (Yellow)     | 1        | 70017P044 |
| 15       | Spring, Pressure 6" To 15" W.C. (Purple)        | 1        | 70017P042 |
| 15       | Spring, Pressure 12" To 28" W.C. (White)        | 1        | 70017P060 |
| 15       | Spring, Pressure 24" To 48" W.C. (Red)          | 1        | 70017P082 |
| 15       | Spring, Pressure 42" W.C. To 2 PSIG (Red-Red)   | 1        | 70017P049 |
| 16       | Screen, Vent                                    | 1        | 70400P009 |
| 17       | Spring, Relief Valve, Standard                  | 1        | 71403P012 |
| 17       | Spring, Relief Valve, 10" Above Outlet Pressure | 1        | 71403P015 |
| 18       | Retainer, R.V. Spring                           | 2        | 78133P001 |
| 19       | Assembly, Diaphragm                             | 1        | 73527G003 |

# 1800C & 1800C-HC Service Regulators

## Model 1843C Regulator Model 1843C-HC Regulator

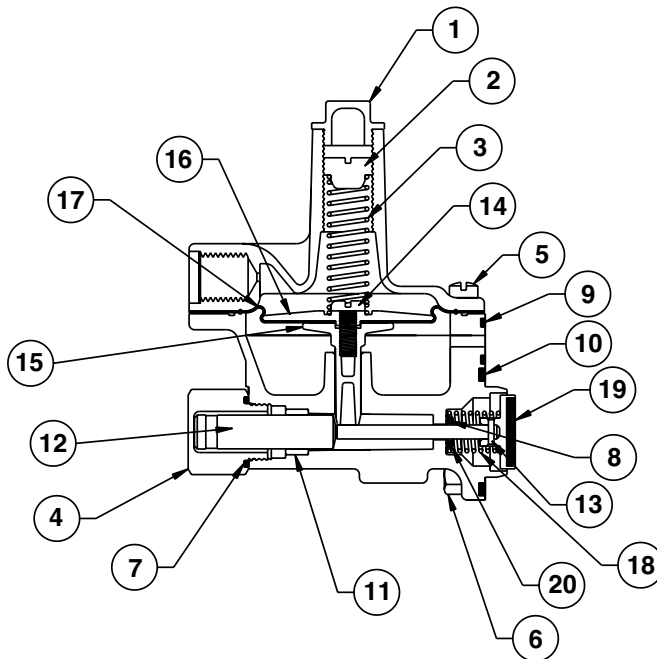


| Item No. | Description                             | Quantity | Part No.  |
|----------|-----------------------------------------|----------|-----------|
| 1        | Valve 3/16" Dia. Orifice                | 1        | 72751P011 |
| 1        | Valve 1/4" Dia. Orifice                 | 1        | 72751P012 |
| 1        | Valve 5/16" Dia. Orifice                | 1        | 72751P013 |
| 1        | Valve 3/8" Dia. Orifice                 | 1        | 72751P014 |
| 1        | Valve 1/2" Dia. Orifice                 | 1        | 72751P016 |
| 1        | Valve 9/16" Dia. Orifice                | 1        | 72751P019 |
| 1        | Valve 1/8" X 3/16" Dia. Dual Orifice    | 1        | 72751P020 |
| 2        | Lever                                   | 1        | 73938P001 |
| 3        | Disc., Valve Seat Buna N 60 Duro        | 1        | 70041P041 |
| 3        | Disc., Valve Seat Buna N 70 Duro (Std.) | 1        | 70041P042 |
| 3        | Disc., Valve Seat Buna N 80 Duro        | 1        | 70041P043 |
| 3        | Disc., Valve Seat Viton A 70 Duro       | 1        | 70041P083 |
| 4        | Stem, Diaphragm                         | 1        | 73937P001 |
| 5        | Gasket, Seal Plug                       | 1        | 70019P108 |
| 6        | Nut, Valve Body                         | 2        | 22032P073 |
| 7        | Guide, Valve Plunger                    | 1        | 73943P001 |
| 8        | Screw, Diaphragm Case                   | 8        | 73572P006 |
| 9        | Bolt, Valve Body                        | 2        | 12369P038 |
| 10       | Seal Ring, Valve Body                   | 1        | 78152P008 |

| Item No. | Description                                   | Quantity | Part No.  |
|----------|-----------------------------------------------|----------|-----------|
| 11       | Pin, Lever                                    | 1        | 70016P017 |
| 12       | Plunger, Valve                                | 1        | 73939P001 |
| 12       | Plunger, Valve (1843C-HC Only)                | 1        | 73939P002 |
| 13       | Plug, Seal w/o Stamping                       | 1        | 73942F003 |
| 13       | Plug, Seal w/ Stamping                        | 1        | 73942P003 |
| 13       | Plug, Red Seal (2 PSIG Outlet)                | 1        | 73942P002 |
| 14       | Screw, Adjusting                              | 1        | 73936P001 |
| 15       | Spring, Pressure 3.5" To 6" W.C. (Blue)       | 1        | 70017P043 |
| 15       | Spring, Pressure 3.5" To 7.5" W.C. (Tan)      | 1        | 70017P089 |
| 15       | Spring, Pressure 5.5" To 8.5" W.C. (Yellow)   | 1        | 70017P044 |
| 15       | Spring, Pressure 6" To 15" W.C. (Purple)      | 1        | 70017P042 |
| 15       | Spring, Pressure 12" To 28" W.C. (White)      | 1        | 70017P060 |
| 15       | Spring, Pressure 24" To 48" W.C. (Red)        | 1        | 70017P082 |
| 15       | Spring, Pressure 42" W.C. To 2 PSIG (Red-Red) | 1        | 70017P049 |
| 16       | Screen, Vent                                  | 1        | 70400P009 |
| 17       | Spring, Relief Valve                          | 1        | 71403P012 |
| 18       | Retainer, R.V. Spring                         | 2        | 78133P001 |
| 19       | Assembly, Diaphragm                           | 1        | 73527G003 |
| 20       | OPSO, Assembly Shut-off 14" To 35" W.C.       | 1        | 72978G070 |
| 20       | OPSO, Assembly Shut-off 1 to 3-1/2 PSIG       | 1        | 72978G071 |

# 1800C & 1800C-HC Service Regulators

## Overpressure Shut-off



| Item No. | Description                           | Quantity | Part No.  |
|----------|---------------------------------------|----------|-----------|
| 1        | Plug, Seal                            | 1        | 73331F001 |
| 2        | Screw, Adjusting                      | 1        | 73332P001 |
| 3        | Spring, 14" - 35" Shut-off Pressure   | 1        | 71403P005 |
| 3        | Spring, 1# - 3-1/2# Shut-off Pressure | 1        | 71403P004 |
| 4        | Plug, Body                            | 1        | 72747P001 |
| 5        | Screw, Flange                         | 6        | 78008P006 |
| 6        | Screw, Body                           | 4        | 78098P001 |
| 7        | "O" Ring, Body Plug                   | 1        | 78037P037 |
| 8        | "O" Ring, Valve Stem                  | 1        | 78037P116 |
| 9        | "O" Ring                              | 1        | 78037P005 |
| 10       | "O" Ring, Body                        | 1        | 78037P104 |
| 11       | Bushing, Ribbed                       | 1        | 72744P002 |

| Item No. | Description                          | Quantity | Part No.  |
|----------|--------------------------------------|----------|-----------|
| 12       | Stem, Valve                          | 1        | 72742P001 |
| 13       | Rollpin                              | 1        | 90394P067 |
| 14       | Screw, Diaphragm Stem                | 1        | 78138P001 |
| 15       | Stem, Diaphragm                      | 1        | 72743P001 |
| 16       | Plate, Lower Diaphragm               | 1        | 70012P043 |
| 17       | Plate, Upper Diaphragm               | 1        | 70012P044 |
| 18       | Diaphragm                            | 1        | 72746P001 |
| 19       | Spring, Shutoff                      | 1        | 71403P005 |
| 20       | Assembly, Seat Disc, Buna N, 60 Duro | 1        | 72750G003 |
| 21       | Retainer, "O" Ring                   | 1        | 73927P001 |

Due to continuous development the information in this document is subject to change.

### Caution:

#### Handling and Disposal

"As a knowledgeable user of American Meter's products, we are sure that you are aware that parts in the Company's meters and regulators contain or are coated with heavy metals such as cadmium, zinc, lead and chromium. Obviously, therefore, repair or refurbishment of this equipment should take into account the presence of these materials and should comply with all state and federal requirements concerning worker protection, proper disposal and safety, including protection against exposure to dust and fumes."



#### AMERICAN METER

300 Welsh Road, Building One • Horsham, PA 19044-2234 • USA  
 • Tel: (215) 830-1800 • Fax: (215) 830-1890



#### CANADIAN METER

3037 Derry Road, West • Milton, Ontario L9T 2X6 • Canada  
 • Tel: (905) 878-2361 • Fax: (905) 878-5758

ELSTER AMCO