



Q-Box™

Revealing a better way

Conduit Body and Cover

Part Numbers

Assembled:

Q-Box with mounting screw QHC1100S
Q-Box without mounting screw QHC1100

Parts:

Q-Hub with mounting screw QH1000S
Q-Hub without mounting screw QH1000
Q-Cover QC100

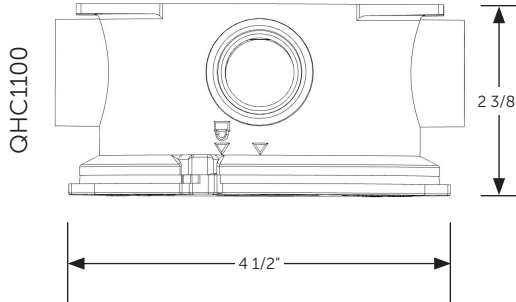
Application:

Built to replace junction boxes and other conduit bodies, Q-Hub's revolutionary features combined with the Q-Cover save installers time and call backs. Used for junctions, wiring corded equipment, replacing T's, and connecting 3rd party luminaires and other devices. Includes mounting holes for 3.5" and 3" devices for a #8 coarse thread screw. Intended for damp or wet locations, indoors or out. Gasket is captive and won't fall out during installation, ships standard with pre-installed mounting screw and (2) open knockouts. Q-Hub installs four times faster than others and with it's 19.5 cubic inch volume, gives you more space to work. No assembly screws required.

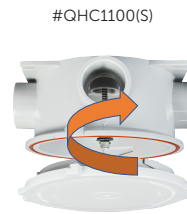
Features:

- No assembly screws required
- Pre-installed mounting screw
- 3/4" knockouts/conduit hubs, (2) open at 180°, (2) closed
- Direct glue to PVC, no fittings required
- Captive gasket
- Corrosion resistant, air and watertight

FicientLock™ Technology



Q-Cover
#QC100



Q-Hub
#QC100



Q-Box
#QHC1100

"Twist, Lock, and It's Water Tight!"

Material Non-metallic, high performance polycarbonate, and high temp rated gasket

Environmental Suitable for damp or wet locations, corrosion resistant, withstands high pressure wash down (1450 PSI) with hot water (176° F / 80° C)

Safety ETL listed, Conforms to UL Std. 5A, Certified to CAN/CSA C22.2 #62.1

Dimensions/Capacity 2 3/8" H, 4 1/2" diameter, 19.5 cu in

Hub Size Accepts 3/4" O.D. PVC, non-metallic conduit

Hubs (2) open 3/4" hubs and (2) knockout type at 180°

Packaging QHC1100/QHC1100S: 15 per box; Box Size: 16"x11.25"x5.19"; Weight: 9 lbs

Mounting Ceiling, wall, or surface mount. Ships with a pre-installed 9-15x2" shield coated hex screw with washer or use outboard mounting locations



Recyclable materials



ETL listed for wet locations



Indoor/ outdoor use



USA Made