

**maxGUARD  
AMG AM**

**Weidmüller Interface GmbH & Co. KG**  
 Klingenbergstraße 16  
 D-32758 Detmold  
 Germany  
 Fon: +49 5231 14-0  
 Fax: +49 5231 14-292083  
 www.weidmueller.com



Similar to illustration

Efficient machine and facility operation calls for fail-safe and maintenance-friendly control voltage distribution that can be installed in a time and space-saving manner.

With the new maxGUARD system, the terminal blocks (previously installed separately) for distributing potential to the outputs of the electronic load monitors become an integral part of a 24 V DC control voltage distribution system.

The innovative combination of load monitoring and potential distribution saves time during installation, increases safety against failure and reduces the amount of space required on the terminal rail by 50%.

**General ordering data**

Type	AMG AM
Order No.	<a href="#">2081890000</a>
Version	Alarm module, 24 V DC
GTIN (EAN)	4050118419337
Qty.	1 pc(s).

**maxGUARD  
AMG AM**

**Weidmüller Interface GmbH & Co. KG**  
 Klingenbergstraße 16  
 D-32758 Detmold  
 Germany  
 Fon: +49 5231 14-0  
 Fax: +49 5231 14-292083  
 www.weidmueller.com

**Technical data****Dimensions and weights**

Width	12.2 mm	Width (inches)	0.48 inch
Height	125 mm	Height (inches)	4.921 inch
Depth	96.5 mm	Depth (inches)	3.799 inch
Net weight	56 g		

**Temperatures**

Operating temperature, max.	55 °C	Operating temperature, min.	-25 °C
Storage temperature, max.	85 °C	Storage temperature, min.	-40 °C
Operating temperature	-25 °C...55 °C	Storage temperature	-40 °C...85 °C

**Probability of failure**

MTTF	550 Years
------	-----------

**Environmental Product Compliance**

REACH SVHC	Lead 7439-92-1
------------	----------------

**Input**

Current consumption (full load)	30 mA	Current consumption (idle)	25 mA
DC input voltage range	18...30 V DC	Input fuse (internal)	No
Rated input voltage	24 V DC	Surge protection	Suppressor diode
max. admissible residual ripple at the input	100 mVpp		

**output**

Connection system	PUSH IN	Surge protection	Suppressor diode
-------------------	---------	------------------	------------------

**General data**

Conformal coating	No	Control inputs	No
Operating temperature	-25 °C...55 °C	Protection degree	IP20
Surge voltage category	III		

**Insulation coordination**

Surge voltage category	III
------------------------	-----

**Connection data (output)**

Conductor cross-section, AWG/kcmil , max.	12	Conductor cross-section, AWG/kcmil , min.	26
Conductor cross-section, flexible , max.	2.5 mm <sup>2</sup>	Conductor cross-section, flexible , min.	0.14 mm <sup>2</sup>
Conductor cross-section, rigid , max.	2.5 mm <sup>2</sup>	Conductor cross-section, rigid , min.	0.14 mm <sup>2</sup>
Connection system	PUSH IN	Number of terminals	4 (2 x NO)
Screwdriver blade	0.6 x 3.5		

**Connection data (signal)**

Wire connection cross-section, flexible (signal), max.	2.5 mm <sup>2</sup>
--	---------------------

## maxGUARD AMG AM

**Weidmüller Interface GmbH & Co. KG**  
 Klingenbergstraße 16  
 D-32758 Detmold  
 Germany  
 Fon: +49 5231 14-0  
 Fax: +49 5231 14-292083  
 www.weidmueller.com

## Technical data

### Signalling

Floating contact	Yes	Red LED	Alarm
Status relay (max. load)	Alarm (24 V / 0.1 A), I > 90 % (24 V / 0,1 A)	Transistor output, positive-switching	Pre-warning, Alarm
Yellow LED	Current > 90% Inom (flashing)		

### Approvals

Institute (cULus)



Certificate no. (cULus)

E258476

### Classifications

ETIM 6.0	EC002057	eClass 6.2	27-37-15-02
eClass 9.0	27-37-10-16	eClass 9.1	27-37-10-16

### Approvals

Approvals



ROHS

Conform

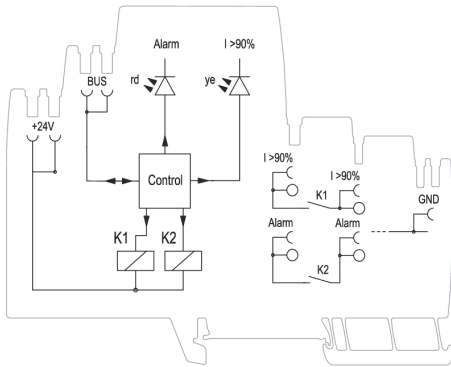
### Downloads

Approval/Certificate/Document of Conformity	<a href="#">Declaration of Conformity</a>
Engineering Data	<a href="#">EPLAN, WSCAD, Zuken E3.S</a>
Engineering Data	<a href="#">STEP</a>
User Documentation	<a href="#">Operating instructions</a> <a href="#">Manual_maxGUARD</a> <a href="#">Operating instructions</a>

**maxGUARD  
AMG AM**

**Weidmüller Interface GmbH & Co. KG**  
Klingenbergstraße 16  
D-32758 Detmold  
Germany  
Fon: +49 5231 14-0  
Fax: +49 5231 14-292083  
www.weidmueller.com

**Drawings**



Schematic circuit diagram