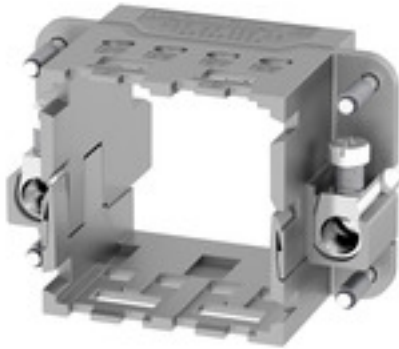


**ModuPlug
HDC MF 6B BA**

Weidmüller Interface GmbH & Co. KG
Klingenbergstraße 16
D-32758 Detmold
Germany
Fon: +49 5231 14-0
Fax: +49 5231 14-292083
www.weidmueller.com

**Simple**

The innovative sliding frame has two defined lock-in positions for opening and closing. This enables simple and tool-free module assembly.

General ordering data

Type	HDC MF 6B BA
Order No.	1428940000
Version	Frame
GTIN (EAN)	4050118233353
Qty.	1 pc(s).

**ModuPlug
HDC MF 6B BA**

Weidmüller Interface GmbH & Co. KG
 Klingenbergstraße 16
 D-32758 Detmold
 Germany
 Fon: +49 5231 14-0
 Fax: +49 5231 14-292083
 www.weidmueller.com

Technical data**Dimensions and weights**

Width	51 mm	Width (inches)	2.008 inch
Height	36.4 mm	Height (inches)	1.433 inch
Depth	37.35 mm	Depth (inches)	1.47 inch
Net weight	63.441 g		

Temperatures

Limit temperature	-40 °C ... 125 °C
-------------------	-------------------

General data

Plugging cycles	≥ 500	Size	3
-----------------	-------	------	---

PE connection data

Conductor cross-section, max.	10 mm ²	Conductor cross-section, min.	0.5 mm ²
Connection type PE	Screw connection	Tightening torque, max. PE connection	1.2 Nm

Connection data

Conductor cross-section, min.	0.5 mm ²	Conductor cross-section, max.	10 mm ²
-------------------------------	---------------------	-------------------------------	--------------------

Design

Product family	ModuPlug	Product type	Frame
----------------	----------	--------------	-------

Material

Material	Diecast zinc
----------	--------------

Classifications

ETIM 5.0	EC002312	ETIM 6.0	EC002312
eClass 6.2	27-14-34-19	eClass 9.0	27-44-02-06
eClass 9.1	27-44-02-06		

Approvals

Approvals



ROHS Conform

Downloads

Brochure/Catalogue	CAT 3 HDC 17/18 EN FL FIELDWIRING EN
Engineering Data	EPLAN
Engineering Data	STEP

Data sheet

**ModuPlug
HDC MF 6B BA**

Weidmüller Interface GmbH & Co. KG
Klingenbergstraße 16
D-32758 Detmold
Germany
Fon: +49 5231 14-0
Fax: +49 5231 14-292083
www.weidmueller.com

Drawings

