



WP-LED42

LED Wall Light

SPECIFICATIONS*

Watts	40
Lumens	4880
Efficacy	120
Replaces Up To	150W MH
Color Temp	5,000K*
Operating Temp	-40°C to +40°C
Voltage	120-277*, 480
LED Life	100,000 hours
Lens Material	Clear Stippled Tempered Glass
Power Factor	0.948
Total Harmonic Distortion	13.2%
CRI	>70

*Standard



DESCRIPTION

The WP fixtures are energy efficient wall lights with a traditional look. Available in a 40W or an 80W version, they feature new LED technology with a similar light output to a 150W or 250W MH fixture.

APPLICATIONS



Entrances



Back Doors



Loading Docks



Perimeter Lighting

FEATURES

- Energy efficient LED wall light.
- Similar light output to a 150W MH fixture.
- Clear stippled tempered glass lens.

*The above specs apply to the standard product configuration - WP-LED42, 120-277V, 5K. For spec information on other product configurations please see page 2. **NOTE:** Not all of our product configurations are qualified on the DLC QPL. To view all of our DLC qualified products please visit the DLC qualified products list at www.designlights.org/qpl.

OTHER MODEL SPECIFICATIONS

MODEL DESCRIPTION	VOLTAGE (V)	INPUT POWER (W)	LIGHT OUTPUT	EFFICACY (Lm/W)	THD	PF	CCT	CRI
WP-LED42-B-5K-XXX-XX	120-277	40.5	4880.2	120.5	13.2	0.948	5000	74.7
WP-LED42-L-5K-XXX-XX	480	40.6	4870.3	119.9	14	0.944	5000	74.7

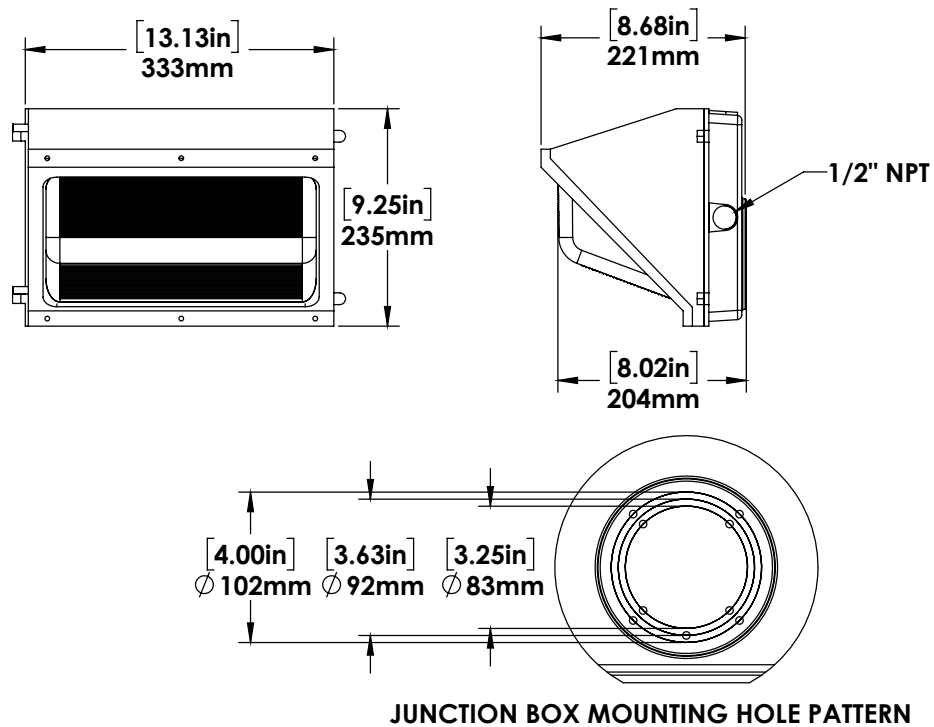
LEGEND

B - 120V-277V, L - 480V

5K - 5000K

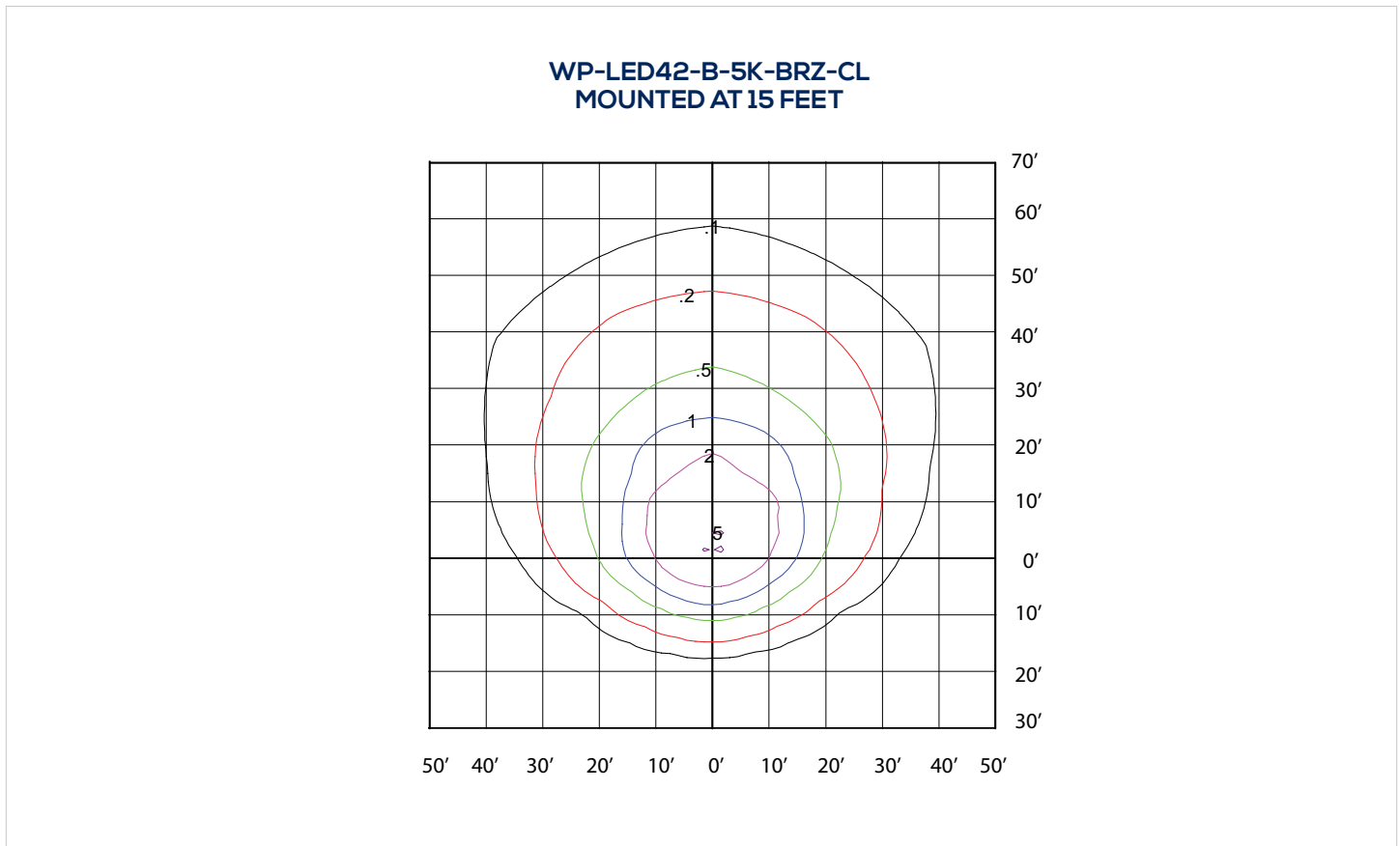
XXX - HOUSING FINISH

DIMENSIONS



Weight = 7lbs

PHOTOMETRICS



ORDERING GUIDE

WP					
WATTS	VOLTAGE	COLOR TEMP.	FINISH	OPTIONS	
LED42	B - 120 - 277V* L - 480V	5K - 5000K*	BRZ - BRONZE* CC - CUSTOM COLOR	PC - PHOTOCELL	

*Standard Configuration.