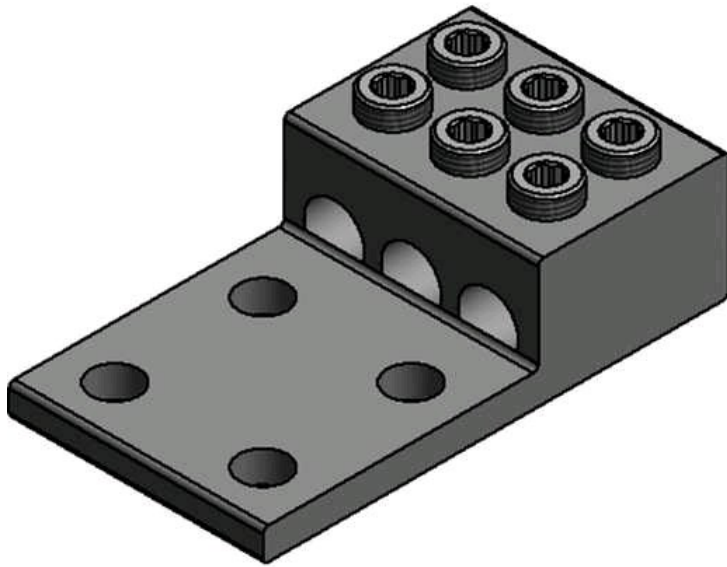


L3D4-750I

by CMC
Catalog ID: L3D4-750I



Heavy-duty transformer connectors, uni-joint, Dual rated connectors for Aluminum or Copper conductors

- Manufactured from high strength 6061-T6 aluminum alloy to ensure both maximum strength and conductivity.
- Assembly can be made with only a screwdriver or Allen wrench
- Connectors are reusable
- Material: Aluminum

Product Details

General

Number of Holes	4
Type	L-D
UPC	192663071814

Dimensions

Dimension - Hole Size inch	.56 in
Dimensions	6.19 in x 4 in x 1.88 in
Height	1.88 in
Length	6.19 in
Width	4 in

Electrical Ratings

Voltage Rating	600 V
----------------	-------

Conductor Related

Conductor Range	750 Kcmil - #2 AWG
-----------------	--------------------



CONNECTOR MANUFACTURING COMPANY
3501 Symmes Road
Hamilton, Ohio 45015 - 1369
513 - 860 - 4455(Press 2 for Customer Service and Sales)
To email customer Service: [jrex @cmclugs.com](mailto:jrex@cmclugs.com)

