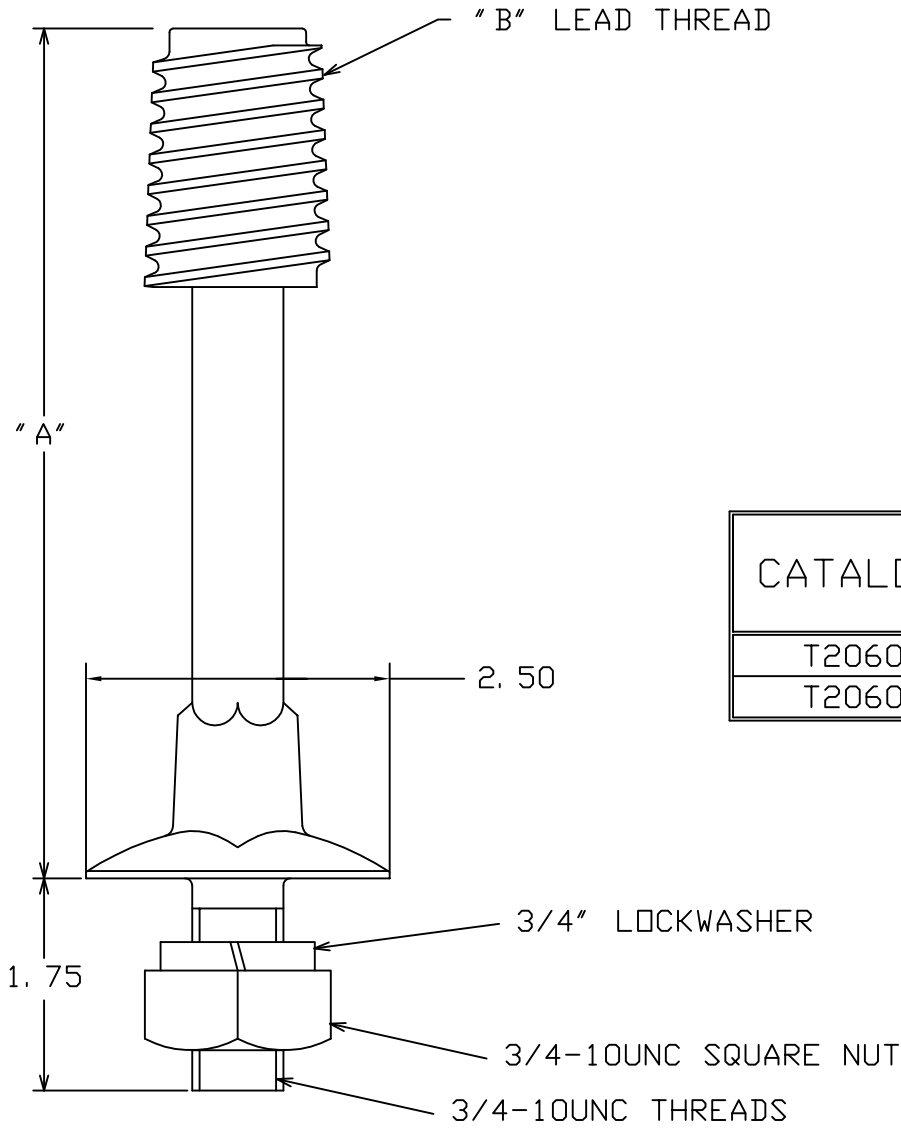



=NOTES=

1. MATERIAL: STEEL, HOT DIP GALVANIZED PER ASTM A153 (LATEST REVISION) EXCEPT LEAD THREAD.



CATALOG NO.	" A "	" B "
T2060409	7.0	1-3/8"
T2060410	7.0	1"

<b>CHANCE</b> TOLERANCE CHART		 <b>HUBBELL</b> POWER SYSTEMS	
<small>CONFIDENTIAL: THIS DRAWING AND ITS CONTENTS ARE CONFIDENTIAL AND THE EXCLUSIVE PROPERTY OF HUBBELL POWER SYSTEMS. NO PUBLICATION, DISTRIBUTION OR COPIES MAY BE MADE WITHOUT THE WRITTEN CONSENT OF HUBBELL POWER SYSTEMS. HUBBELL POWER SYSTEMS UNPUBLISHED ALL RIGHTS RESERVED UNDER THE COPYRIGHT LAWS.</small>		TITLE <b>LOW VOLTAGE STEEL PIN</b>	
SIZE <b>SB SA206-0409</b>	DWG NO. <b>SA206-0409</b>	CAT / PART / ASSY NO. <b>SEE CHART</b>	REV <b>A</b>
DO NOT SCALE THIS DRAWING	DRN BY <b>WILSON</b>	DATE <b>06/20/08</b>	SHEET <b>01</b> OF <b>01</b>