

Models A & B

Current Transformers Window Diameter 1.05", 2.06"

Application

For energy management systems and instrumentation.

Frequency

50-400 Hz.

Insulation Level

0.6 kV, BIL 10 kV full wave.

Rating Factor

1.0 at 30°C. amb.,

Fast on connectors are standard 1/4" Terminals are 8-32 studs.

Flexible leads are UL 1015, 105°C., CSA approved. #16 AWG, 24" long.

Approximate weights:
Model A - 0.5 lb.
Model B - 0.6 lb.



Model BT

Model AL



Model A

| Catalog Number | Current Ratio | Burden VA | Accuracy at 60 Hz |
|----------------|---------------|-----------|-------------------|
| A*-500 | 50:5 | ±3% | 1.5 |
| A*-600 | 60:5 | ±3% | 2.0 |
| A*-750 | 75:5 | ±2% | 2.0 |
| A*-800 | 80:5 | ±2% | 2.0 |
| A*-101 | 100:5 | ±1% | 2.0 |
| A*-121 | 120:5 | ±1% | 2.5 |
| A*-1250 | 125:5 | ±1% | 2.5 |
| A*-151 | 150:5 | ±1% | 4.0 |
| A*-201 | 200:5 | ±1% | 4.0 |
| A*-251 | 250:5 | ±1% | 6.0 |
| A*-301 | 300:5 | ±1% | 8.0 |
| A*-401 | 400:5 | ±1% | 10.0 |

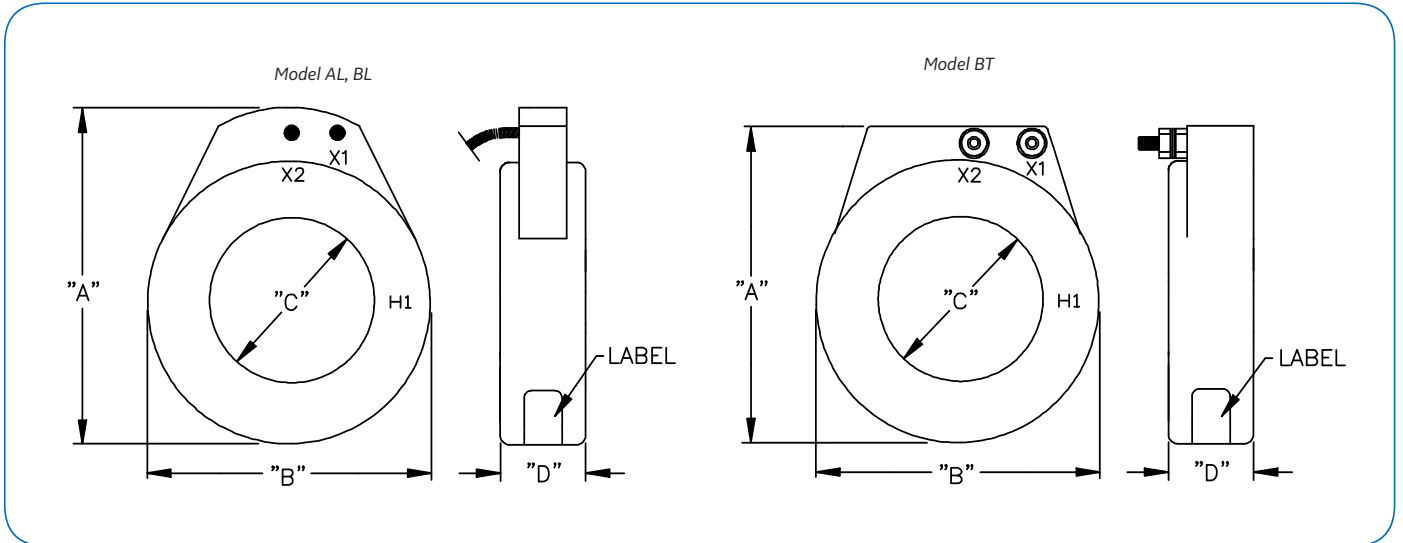
Model B

| Catalog Number | Current Ratio | Burden VA | Accuracy at 60 Hz |
|----------------|---------------|-----------|-------------------|
| B*-500 | 50:5 | ±3% | 0.5 |
| B*-750 | 75:5 | ±1% | 0.5 |
| B*-101 | 100:5 | ±1% | 1.0 |
| B*-151 | 150:5 | ±1% | 2.5 |
| B*-201 | 200:5 | ±1% | 4.0 |
| B*-251 | 250:5 | ±1% | 6.0 |
| B*-301 | 300:5 | ±1% | 7.5 |
| B*-401 | 400:5 | ±1% | 10.0 |
| B*-501 | 500:5 | ±1% | 12.5 |
| B*-601 | 600:5 | ±1% | 15.0 |
| B*-751 | 750:5 | ±1% | 7.0 |
| B*-801 | 800:5 | ±1% | 8.0 |
| B*-102 | 1000:5 | ±1% | 10.0 |
| B*-122 | 1200:5 | ±1% | 12.5 |

*Note Specify "F" for fast-ons or "T" for terminals or "L" for leads.



Model A, B



Model A B

| Model AL | Model BL | Model BT |
|--------------|--------------|--------------|
| A: 2.74 | A: 3.74 | A: 3.88 |
| B: 2.47 DIA. | B: 3.43 DIA. | B: 3.43 DIA. |
| C: 1.05 DIA. | C: 2.06 DIA. | C: 2.06 DIA. |
| D: 1.05 | D: 1.10 | D: 1.10 |

GEGridSolutions.com

Grid-AIS-L4-ITL_Model_A_B-1565-2017_06-EN. © Copyright 2017. General Electric Company and Instrument Transformers LLC reserve the right to change specifications of described products at any time without notice and without obligation to notify any person of such changes.

Worldwide Contact Center

Web: www.GEGridSolutions.com/contact

Phone: +44 (0) 1785 250 070

USA and Canada: +1 (0) 800 547 8629

Europe, Middle East and Africa: +34 (0) 94 485 88 00

