

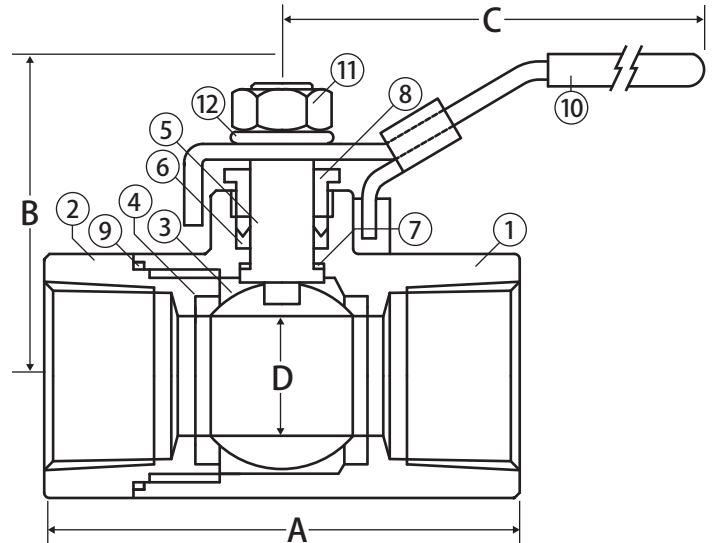
Carbon Steel Ball Valve



**2 Piece • Standard Port • Threaded Connection • 2000 WOG •
Stainless Steel Ball and Stem**



T-CS-2000N-SS



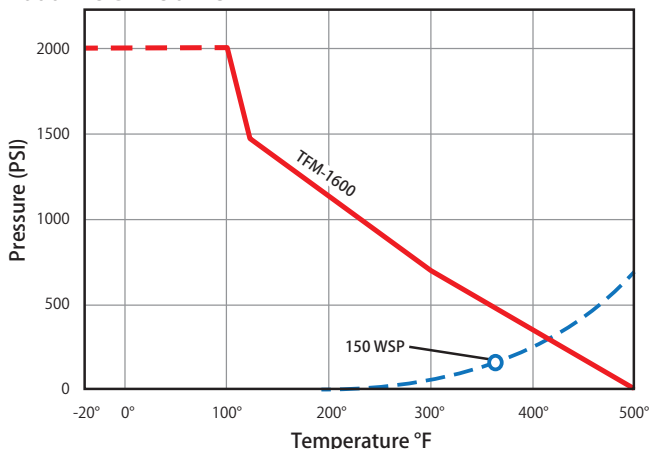
Features

- Solid ball construction
- 29 in-Hg vacuum rating
- Latch lock may be locked in open or closed position
- 100% leak tested
- Wetted surfaces contain less than .25% lead content

Approvals

- UL Listed
 - MHKZ - Manual valves
 - YQNZ - Compressed gas shut-off valves
 - YRBX - Flammable liquid shut-off valves
 - YRPV - Gas shut-off valves
 - YSDT - LP gas shut-off valves
 - YQAR - Anhydrous ammonia shut-off valves
- Conforms to API 598
- ANSI B1.20.1
- NACE Certified
- MSS SP-110

Valve Seat Rating 2000 WOG - 150 WSP



Material Specifications

No.	Part	Materials
1	Body	WCB Carbon Steel
2	End Connection	WCB Carbon Steel
3	Ball	CF8M Stainless Steel
4	Seat (2)	Hostaflo [®] TFM 1600
5	Stem	316 Stainless Steel
6	Packing (2)	RPTFE
7	Stem Seal	Hostaflo [®] TFM 1600
8	Packing Gland	12L14 Carbon Steel
9	Body Seal	Hostaflo [®] TFM 1600
10	Handle	A283 Carbon Steel
11	Handle Nut	A283 Carbon Steel
12	Lock Washer	A283 Carbon Steel

Dimensions

Part No.	Size	A	B	C	D	Torque
100-951	1/4"	2.07	1.76	4.33	0.37	35
100-952	3/8"	2.07	1.76	4.33	0.37	35
100-953	1/2"	2.34	1.92	4.33	0.50	65
100-954	3/4"	2.80	2.40	5.83	0.69	100
100-955	1"	3.23	2.56	5.83	0.87	120
100-956	1-1/4"	3.57	2.74	7.76	1.00	210
100-957	1-1/2"	4.04	2.98	7.76	1.25	300
100-958	2"	4.63	3.17	7.76	1.50	400

WARNING: This product can expose you to chemicals including diisononyl phthalate (DINP), which is known to the State of California to cause cancer, and diisononyl phthalate (DINP), which is known to the State of California to cause birth defects or other reproductive harm. For more information go to www.P65Warnings.ca.gov.