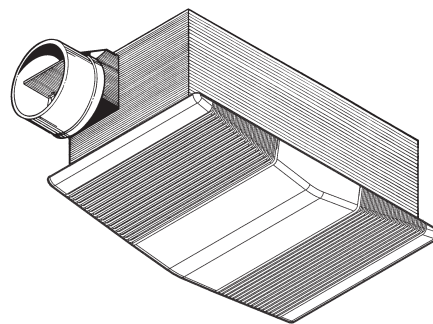


# MODEL 765H80L HEATER / FAN / LIGHT



**Quiet combination unit, built with high performance blower and attractive styling.**

### FEATURES

#### GRILLE:

- Bright white grille
- Snap-in light diffusing lens for 14W (max.) A19 shape, E26 base LED bulb (bulb not included)

#### VENTILATOR:

- Resilient anti-vibration mounts
- Plug-in, permanently lubricated motor
- Low sound, high performance blower wheel

#### HEATER:

- 1300 watts, with metal blower wheel for efficient, even heating
- Plug-in, permanently lubricated motor - functions independent of ventilator

#### HOUSING:

- Adjustable mounting brackets span up to 24"
- Polymeric damper/duct connector with 2" long tapered sleeve and no metallic clatter
- Compact 23 gage corrosion resistant steel housing finished with powder coat paint

NOTE: For installation in ceilings up to 12/12 pitch

- Suitable for use in insulated ceilings (Type I.C. - Thermally protected)
- Use supply wiring rated for at least 90°C.
- Light turning off or blinking may indicate an improper lamp wattage or type.

### TYPICAL SPECIFICATION

Combination unit shall be NuTone Model 765H80L.

Unit shall have corrosion resistant steel housing finished in powder coat paint and adjustable mounting brackets.

Unit shall be rated to handle an A19 shape and E26 base LED bulb, 14W (max.).

Fan, heater and light shall be separately controllable. Motors shall be permanently lubricated.

Air delivery shall be no less than 80 CFM and sound level no greater than 2.0 Sones. All air and sound ratings shall be certified by HVI.

Units shall be U.L. Listed.

Suitable for use in insulated ceilings. (Type I. C. - Thermally protected)



Broan Hartford, Wisconsin www.nutone.com 888-336-3948

REFERENCE	QTY.	REMARKS	Project
			Location
			Architect
			Engineer
			Contractor
			Submitted by Date

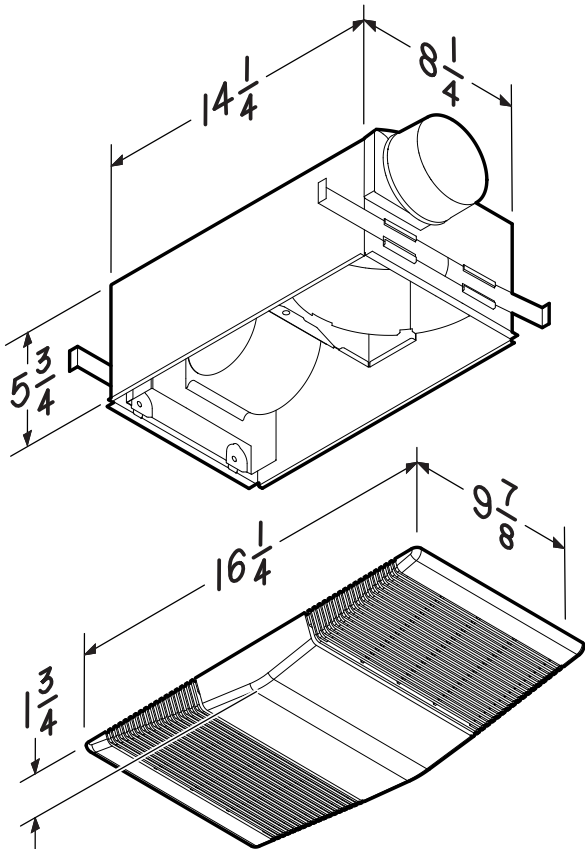
# PERFORMANCE RATINGS

MODEL	VOLTS	AMPS	WATTS*	STATIC PRESSURE (PS)	CFM	SONES	DUCT
765H80L	120	11	1300	0.10	80	2.0	4-IN. ROUND
				0.25	68		4-IN. ROUND

\*Total connected load



HVI-2100 CERTIFIED RATINGS comply with new testing technologies and procedures prescribed by the Home Ventilating Institute, for off-the-shelf products, as they are available to consumers. Product performance is rated at 0.1 in. static pressure, based on tests conducted in a state-of-the-art test laboratory. Sones are a measure of humanly-perceived loudness, based on laboratory measurements.



MODEL 765H80L

