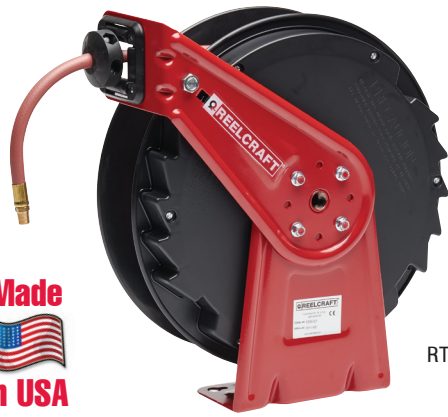


Lightweight, Economical Reels | Series RT

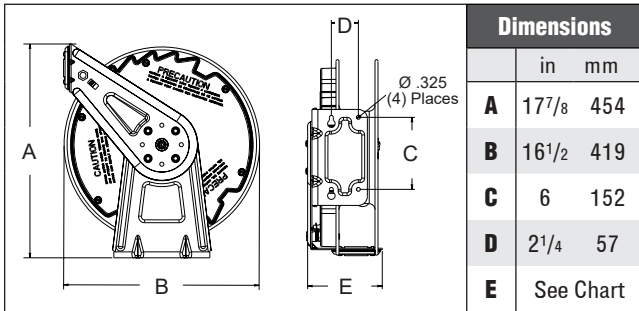


Made
in USA

RT650-OLP

Medium Duty Spring Retractable Reels Air/Water/Oil/Grease - 1/4", 3/8", 1/2" I.D.

Series RT is an economical choice for a medium duty, light weight, spring driven hose reel for applications that are less demanding, yet require a product that can withstand industrial and commercial use. To extend service life, the spool is constructed from a rugged engineered plastic and the industrial-grade drive spring is protected from the environment. Guide arm adjusts to seven positions.



Nitrogen Reels
RT650-OLPG-20GN
Visit www.reelcraft.com/catalog
for Series RT nitrogen reels.

Side Mount Reels
RT650-OLPSM
Visit www.reelcraft.com/catalog
for side mount models.



Model with Hose	Shipping Weight	Hose I.D.	Hose O.D.	Hose Length	**Max Pressure	NPT(M) Hose Outlet	NPT(F) Reel Inlet	Model without hose or bumper	Shipping Weight	Pressure	E
	lbs kg	in mm	in mm	ft m	psi bar	in	in		lbs kg	psi bar	in mm
Low Pressure Air/Water Reels Maximum Temperature 150 °F (65 °C) **Maximum working pressure at 70 °F (20 °C)											
RT425-OLP	19 9	1/4 6	.475 12	25 8	300 21	1/4	1/2	RT402-OLP	19 9	300 21	6 1/4 159
RT435-OLP	21 10	1/4 6	.475 12	35 11	300 21	1/4	1/2	RT403-OLP	19 9	300 21	6 1/4 159
RT450-OLP	24 11	1/4 6	.475 12	50 15	300 21	1/4	1/2	RT405-OLP	21 10	300 21	6 1/4 159
RT465-OLP	25 11	1/4 6	.475 12	65 20	300 21	1/4	1/2	RT406-OLP	21 10	300 21	6 1/4 159
RT625-OLP	20 9	3/8 10	.600 15	25 8	300 21	1/4	1/2	RT602-OLP	19 9	300 21	6 1/4 159
RT635-OLP	21 10	3/8 10	.600 15	35 11	300 21	1/4	1/2	RT603-OLP	19 9	300 21	6 1/4 159
RT650-OLP	27 12	3/8 10	.600 15	50 15	300 21	1/4	1/2	RT605-OLP	22 10	300 21	6 1/4 159
RT825-OLP	26 12	1/2 13	.750 19	25 8	300 21	1/2	1/2	RT802-OLP	23 10	300 21	6 1/4 159
RT835-OLP	27 12	1/2 13	.750 19	35 11	300 21	1/2	1/2	RT803-OLP	23 10	300 21	6 1/4 159
RT850-OLP	37 17	1/2 13	.750 19	50 15	300 21	1/2	1/2	RT805-OLP	25 11	300 21	7 3/4 197
Medium Pressure Oil Reels Maximum Temperature 150 °F (65 °C)											
RT625-OMP	27 12	3/8 10	.710 18	25 8	1000 69	3/8	1/2	RT602-OMP	22 10	1000 69	6 1/4 159
RT635-OMP	30 14	3/8 10	.710 18	35 11	1000 69	3/8	1/2	RT603-OMP	22 10	1000 69	6 1/4 159
RT650-OMP	35 16	3/8 10	.710 18	50 15	1000 69	3/8	1/2	RT605-OMP	25 11	1000 69	7 3/4 197
RT825-OMP	31 14	1/2 13	.820 21	25 8	1000 69	1/2	1/2	RT802-OMP	23 10	1000 69	6 1/4 159
RT835-OMP	32 15	1/2 13	.820 21	35 11	1000 69	1/2	1/2	RT803-OMP	23 10	1000 69	6 1/4 159
High Pressure Grease Reels Maximum Temperature 150 °F (65 °C)											
RT425-OHP	28 13	1/4 6	.580 15	25 8	5000 345	1/4	1/2	RT402-OHP	22 10	5000 345	6 1/4 159
RT435-OHP	30 14	1/4 6	.580 15	35 11	5000 345	1/4	1/2	RT403-OHP	22 10	5000 345	6 1/4 159
RT625-OHP	30 14	3/8 10	.730 19	25 8	4800 331	3/8	1/2	RT602-OHP	22 10	5000 345	6 1/4 159
RT635-OHP	34 15	3/8 10	.730 19	35 11	4800 331	3/8	1/2	RT603-OHP	22 10	5000 345	6 1/4 159
RT650-OHP	46 21	3/8 10	.730 19	50 15	4800 331	3/8	1/2	RT605-OHP	25 11	5000 345	7 3/4 197

Low pressure reels furnished standard with PVC hose. Medium pressure reels furnished standard with S.A.E. 100R1-AT (3/8") or S.A.E. 100R17 (1/2") one wire braid hose or equivalent. High pressure reels furnished standard with S.A.E. 100 R2T two wire braid hose. Reference page 6 for guide arm positions.

Prop 65: **WARNING:**
Cancer and Reproductive Harm
www.P65Warnings.ca.gov.



Interactive Reel Catalog

Visit www.reelcraft.com/catalog for complete product specifications, available parts and accessories.



Visit reelcraft.com/quick-ship for a complete list of Quick Ship Reels - models that can be shipped same day when the order is received by 1:00 PM Eastern Time for quantities of 10 or fewer.