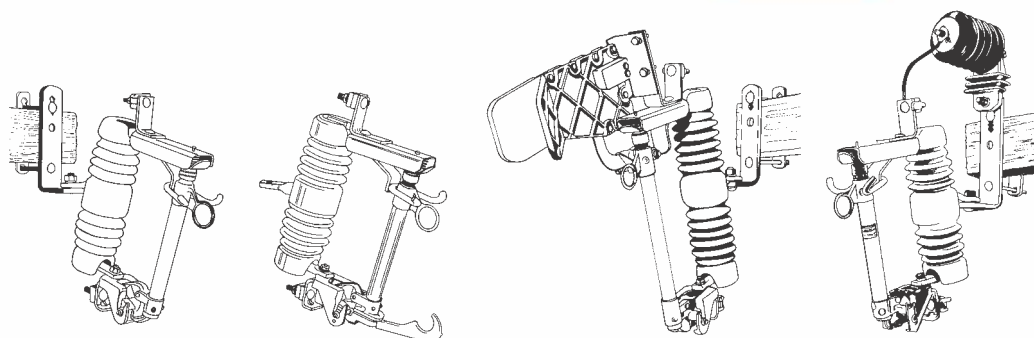


10A



Type C PORCELAIN Cutouts (Standard, Linkbreak, Loadbreak) and Cutout-Arrester Combinations

Catalog 10A January 2014



Type C Cutouts



STANDARD cutout,
pages 3-7

Application

The primary purpose of any cutout is to provide protection to the lines of your system and the various apparatus on those lines such as transformers and capacitor banks. Chance Type C cutouts provide reliable protection from low-level overloads that just melt the fuse link, intermediate faults, and very high faults, through maximum interrupt capacity.

In addition, Type C cutouts can also be used as a sectionalizing device. With the use of a portable loadbreak tool, Type C cutouts can function much like an overhead disconnect switch. A 300 amp disconnect blade is also available for this purpose.

Ratings/Specifications

STANDARD Type C cutouts have maximum design voltage ratings to simplify the confusing ratings of cutouts. There are **no restrictions** on application to grounded wye, ungrounded wye, or delta systems having maximum operating voltages (line-to-line) equal to or less than the cutout maximum design voltage rating. (See the LINKBREAK and LOADBREAK cutouts for their specifications.) Interruption tests have been performed at full system line-to-line voltage. In each voltage class, there are continuous current ratings of 100 amps, 200 amps and 300 amps. See the table on page 6 for other specifications.



LINKBREAK cutout,
pages 8-10



LOADBREAK cutout
with Arc-Chute interrupter,
pages 11-13



CUTOUT-ARRESTER
Combinations,
page 14



Type C STANDARD Cutout



100 Amp — Single Vent



200 Amp — Single Vent



300 Amp — Disconnect

Chance Type C fuseholders are also mutually interchangeable with the S & C Electric Company's Type XS cutout.

Quality Construction

Efficient Current Transfer

The Chance Type C cutout has an all copper current path. All contacts are silver-plated. Terminals are tin-plated bronze for use with copper or aluminum conductors.

Loadbreak Hooks

Galvanized steel hooks are standard on all Type C cutouts, except the arc chute version, for use with a portable loadbreak tool. These sturdy hooks are mounted on the top support and serve to guide the fuseholder into the latch socket when closing at an off-center angle.

Top Contact

The top contact is attached to the galvanized-steel hood by a stainless rivet to provide a smooth self-aligning action during closing even in severely corrosive environments. The top contact provides a socket-type cavity for latching the fuseholder and prevents any possible "over-travel" of the fuseholder. The top contact is made of a highly conductive copper strip with silver-plated embossments to resist corrosion. The contacts are held under constant pressure designed to maintain firm contact with the fuseholder contact surface until fault interruption is accomplished.

Hinge

The hinge on the Type C cutout employs large pivot areas for the fuseholder's trunnion and is cast of a copper alloy chosen for its strength and corrosion resistance. The hinge contacts are highly conductive copper alloy stampings and are plated to assure low resistance current transfer from the trunnion casting. The parallel current paths are backed up by high strength cantilever springs and are riveted to the hinge castings. Fuseholder can be dropped into place and easily lifted up and out. No tricky maneuvering.

Insulators

The insulators used on Type C cutouts are a sky-glaze gray. The metal to metal leakage distance on the 15 kV cutout insulator is 8.7 inches (220 mm), 12.6 inches (320 mm) on the 27 kV [125 kV LIW (BIL)], 17.3 inches (440 mm) on the 27 kV [150 kV LIW (BIL)], 26 inches (660 mm) on the 36 kV [170 kV LIW (BIL)], and 28.4 inches (720 mm) on the 36 kV [170 kV LIW (BIL)].

Fuseholders

The solid cap on the single vent fuseholder is a copper alloy, silver-plated to provide efficient current transfer. An integral ring is provided in the top tube casting for opening and closing the fuseholder with conventional disconnect tools from the ground, from a bucket truck or from the pole.

The **toggle type trunnion casting** is a selective **silver-plated bronze** for efficient current transfer to the lower hinge contacts. A cam shaped projection on each side of the trunnion casting provides high pressure parallel current paths to the lower contacts. These projections, or pivot pins, are cast full round for smooth rotational operation in the hinge. The link ejector assists in arc interruption during low fault current or excessive overload conditions. A groove in the center of the link ejector allows the fuse link's pigtail to go directly from the fuse tube to the attachment nut. A curved ejector minimizes bending stresses in the pigtail to prevent broken strands. A stainless steel torsion spring on the link ejector helps to rapidly eject the link from the bore of the fuseholder during interruption. The 200 amp link ejector has a wider groove area and increased spring force to accommodate the larger links.

The **link ejector** is pinned to the trunnion casting with a stainless steel pin to provide resistance to corrosive elements and provide smooth pivotal action. An interlocking feature between the link ejector and tube casting prevents excessive tension on the fuse link during closure, thereby preventing link breakage.

The **link ejector** employs a hammer effect to enhance toggle action of the trunnion during low fault and overload interruptions, hence dropout action is enhanced. The link ejector provides sufficient surface area to facilitate re-fusing by linemen wearing gloves.

Type C STANDARD Cutout

PRODUCT FEATURES

Interchangeability

Chance was the first to design a cutout that could interchange fuseholders and mounting assemblies with those of another manufacture. Standard Type C fuseholders and mounting assemblies are mutually interchangeable with the S&C Electric Company's Type XS cutout (within the same voltage class).

Fusetube

The 1/2-inch inside diameter of the Type C cutout's 100 ampere fusetube increases internal pressure giving superior and reliable expulsion action. During frequently encountered intermediate fault ranges this diameter also permits higher TRV (transient recovery voltage) values to be tolerated. This small bore design eliminates any concern related to high impedance phase-to-phase faults on ungrounded wye and delta systems.

The inside liner is constructed of a synthetic arc-quenching material. The tube is made of fiberglass which permits the smaller bore and provides a higher burst strength. It is protected from the weather and environment by a special ultra-violet resistant coating.

Also, the Chance fusetube operates with fuselinks from all major suppliers.

Brackets

C cutouts come packed one per carton including a NEMA Heavy Duty "B" bracket with captive 1 1/2" bolt for crossarm mounting.

Type X brackets, also for crossarm mounting, provides 2 5/8" additional clearance between the crossarm and the cutout.

"D" brackets are used to mount cutouts and/or arresters directly to the pole. Three brackets may be used for three-phase application. Type D brackets provide a clean, quick mounting without crossarm or special pole bands.

All the above brackets are galvanized steel for long lasting service. Cutouts can be ordered without any brackets.

Higher Interrupt Capacities

By using a copper arc shortening rod inside the top of the fusetube, higher interrupt ratings are obtainable. An arc shortening rod is attached to the cap of some fusetubes and lowers the fuse link within the fusetube. This permits a much shorter arc, resulting in less arc energy, and higher interrupting capacities.

For 200 A tubes, it allows for full voltage rating.

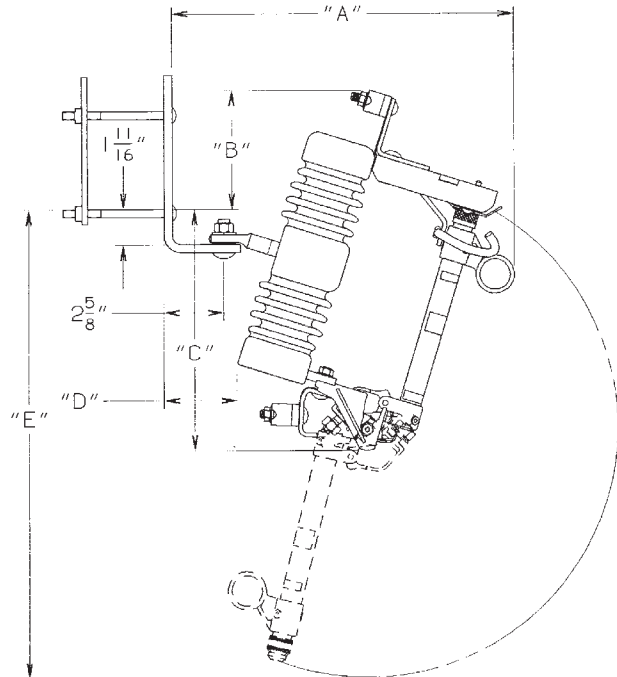
It is necessary to use fuse links with removable buttonheads when arc shortening rods are employed.

170 kV LIW (BIL)

A 170 kV BIL Type C cutout is available for use in areas where the 28.4-inch minimum leakage distance to ground is required. See ordering data, page 6.

Extra Corrosion Protection [150 & 170 kV LIW (BIL) only]

Type C cutouts are available with components of stainless steel inserts, hood and bolts, and copper alloy loadbreak hooks to offer greater corrosion resistance for environmental areas where corrosion can become a major factor. To order a stainless steel/copper alloy cutout add the suffix "S" to the end of the catalog number with the rating specifications desired. In addition, an optional spring assist may be provided to further enhance the toggle and drop out action in highly corrosive applications.



STANDARD Type C Cutout with NEMA Type B Bracket Dimensions

kV LIW (BIL)	A	B	C	D	E
110	16"	5 1/2"	10 3/4"	3 1/2"	21 1/2"
	406 mm	137 mm	273 mm	89 mm	559 mm
125	16 3/8"	7 1/8"	12 1/2"	3 1/8"	26 3/4"
	416 mm	181 mm	318 mm	79 mm	679 mm
150	16 3/8"	7 1/8"	12 1/2"	3 1/8"	26 3/4"
	416 mm	181 mm	318 mm	79 mm	679 mm
170	17 1/4"	8 1/2"	15"	1 3/4"	32 1/2"
	438 mm	216 mm	381 mm	44 mm	826 mm

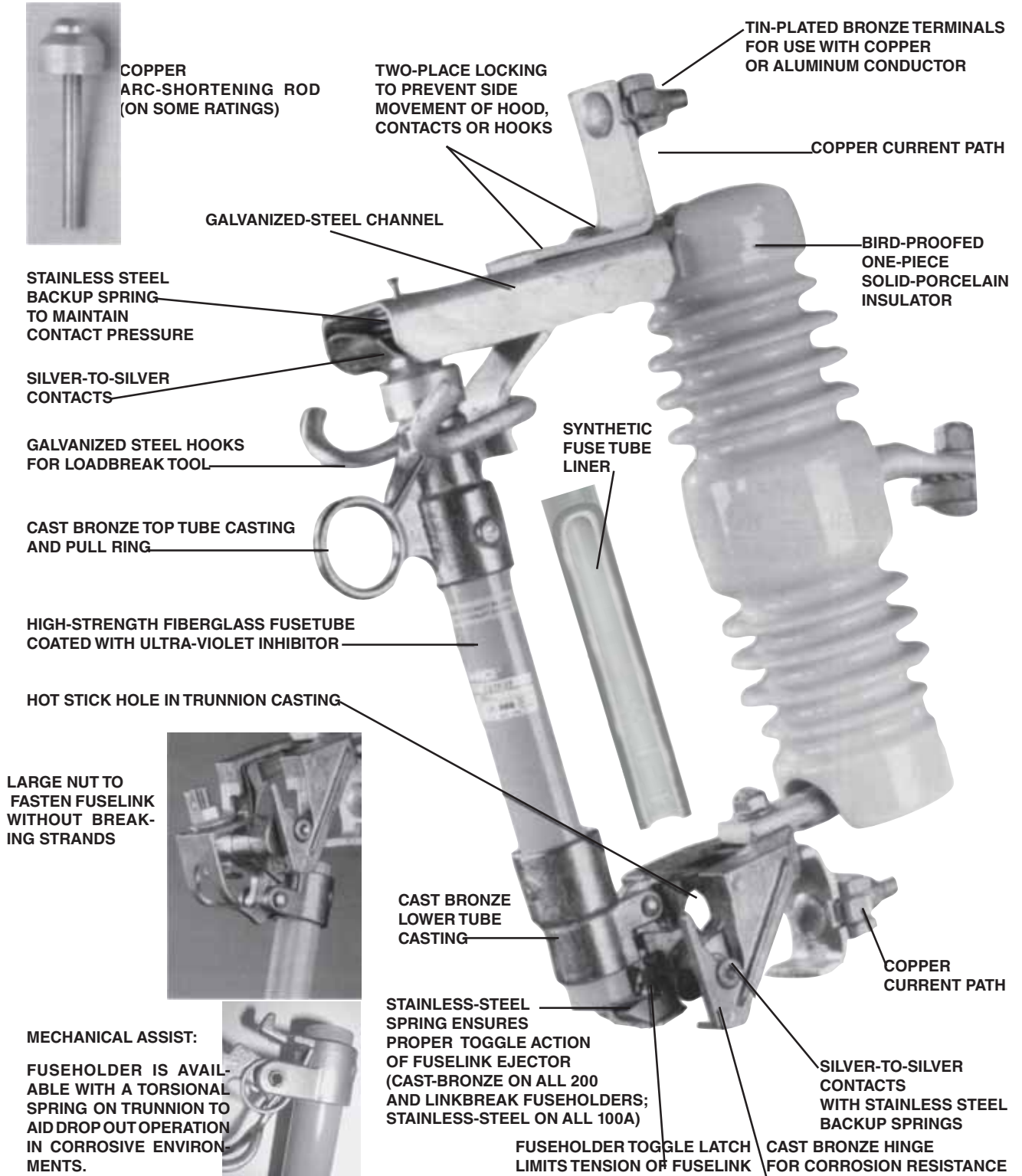
Terminals

Tin-plated bronze parallel groove type terminals are standard on Type C cutouts. They can accommodate aluminum or copper conductor sizes ranging from No. 6 (13.3 mm²) solid copper through 4/0 (160.6 mm²) ACSR or 250 (167.5 mm²) kcmil stranded copper. The parallel groove design is perfect for handling two different sizes of conductor as is the case when arresters are being used. Eyebolts are also available. See ordering data, page 10A-6.



Compare Chance[®] quality and technical expertise Type C STANDARD Cutout

All Type C Cutouts meet or exceed ANSI/NEMA specifications.



Type C STANDARD Cutout

Specifications and Ordering Information

See page 10A-15 for Accessories.

15 kV - 110 kV LIW (BIL) — RUS Listed

*Base Catalog No.	*Option suffixes below	Maximum Design Voltage	Nominal System Voltage	Continuous Current (Amps)	Interrupt Capacity (Asym Amps)	Leakage to Ground Metal to Metal		*Weight (lb./kg.)	Replacement Fusetube Cap	Arc Shortening Rod
C710112	<u>1</u> <u>2</u> <u>3</u>	15 kV	Thru 14.4 kV	100	10,000	8.7"	220 mm	14.23 /6.45	P7001535P	No
C710114	<u>1</u> <u>2</u> <u>3</u>	15 kV	Thru 14.4 kV	100	16,000	8.7"	220 mm	14.43 /6.55	E7001767P	Yes [‡]
C710143	<u>1</u> <u>2</u> <u>3</u>	15 kV	Thru 14.4 kV	200	12,000	8.7"	220 mm	15.03 /6.82	E7002146P	Yes [‡]
C710133	<u>1</u> <u>2</u> <u>3</u>	15 kV	Thru 14.4 kV	300	12,000**	8.7"	220 mm	14.53 /6.59	P7001535P	N/A

27 kV - 125 kV LIW (BIL) — RUS Listed

C710211	<u>1</u> <u>2</u> <u>3</u>	27 kV	Thru 24.9 kV	100	8,000	12.6"	320 mm	17.73 /8.04	P7001535P	No
C710213	<u>1</u> <u>2</u> <u>3</u>	27 kV	Thru 24.9 kV	100	12,000	12.6"	320 mm	17.03 /7.72	E7001768P	Yes [‡]
C710242	<u>1</u> <u>2</u> <u>3</u>	27 kV	Thru 24.9 kV	200	10,000	12.6"	320 mm	17.73 /8.04	E7002479P	Yes [‡]
C710233	<u>1</u> <u>2</u> <u>3</u>	27 kV	Thru 24.9 kV	300	12,000**	12.6"	320 mm	17.23 /7.82	P7001535P	N/A

27 kV - 150 kV LIW (BIL) — RUS Listed

C710311	<u>1</u> <u>2</u> <u>3</u>	27 kV	No Restrictions thru 24.9 kV; [‡] 26.4 thru 34.5 kV	100	8,000	17.3"	440 mm	22.63/10.26	P7001535P	No
C710313	<u>1</u> <u>2</u> <u>3</u>	27 kV	No Restrictions thru 24.9 kV; [‡] 26.4 thru 34.5 kV	100	12,000	17.3"	440 mm	22.83/10.36	E7001768P	Yes [‡]
C710342	<u>1</u> <u>2</u> <u>3</u>	27 kV	No Restrictions thru 24.9 kV; [‡] 26.4 thru 34.5 kV	200	10,000	17.3"	440 mm	23.43/10.63	E7002479P	Yes [‡]
C710333	<u>1</u> <u>2</u> <u>3</u>	27 kV	No Restrictions thru 24.9 kV; [‡] 26.4 thru 34.5 kV	300	12,000**	17.3"	440 mm	23.03/10.45	P7001535P	N/A

36 kV - 170 kV LIW (BIL) — RUS Listed

C710613	<u>1</u> <u>2</u> <u>3</u>	36 kV	Thru 34.5 kV	100	12,000	26"	660 mm	25.43/11.54	E7001743P	Yes [‡]
C710643	<u>1</u> <u>2</u> <u>3</u>	27 kV	No Restrictions thru 24.9 kV; [‡] 26.4 thru 34.5 kV	200	12,000	26"	660 mm	25.83/11.72	E7002117P	Yes [‡]
C710633	<u>1</u> <u>2</u> <u>3</u>	36 kV	Thru 34.5 kV	300	12,000**	26"	660 mm	25.43/11.54	P7001535P	N/A

NOTE: 26" fuse links are recommended.

36 kV - 170 kV LIW (BIL) — RUS Listed

C710713	<u>1</u> <u>2</u> <u>3</u>	36 kV	Thru 34.5 kV	100	12,000	28.4"	720 mm	30.73/13.94	E7001743P	Yes [‡]
C710743	<u>1</u> <u>2</u> <u>3</u>	27 kV	No Restrictions thru 24.9 kV; [‡] 26.4 thru 34.5 kV	200	12,000	28.4"	720 mm	31.13/14.12	E7002117P	Yes [‡]
C710733	<u>1</u> <u>2</u> <u>3</u>	36 kV	Thru 34.5 kV	300	12,000**	28.4"	720 mm	30.73/13.94	P7001535P	N/A

NOTE: 26" fuse links are recommended.

*Adjust total weight when selecting Options below. **Momentary rating — Solid blade [‡]Must use removable buttonhead fuse links.

[‡]For application on single-phase to neutral or three-phase solidly-grounded wye-connected circuits where recovery voltage does not exceed the maximum-design voltage of the device.

*Option Suffix 1 Terminal Variations

Suffix 1	Description	*Weight (lb./kg.)
P	Parallel-groove clamps	0.33/0.15
E	Small eyebolts	0.16 /0.07
L	Large eyebolts	0.31/0.14
R	Lower PG Clamp Rotated 90°	0.33/0.15

Must specify one selection for Option 1.

*Option Suffix 2 Bracket Variations

Suffix 2	Description	*Weight (lb./kg.)
B	NEMA Heavy Duty "B" bracket for crossarm (1½" bolt)	2.84/1.29
X	Extended type bracket for crossarm (Horizontal section is 2⅝" longer than Type B bracket)	3.75/1.70
D	D-shape bracket (pole)	7.67/3.48
Z	No bracket (must be used with M in Option 3)	—
Blank	No bracket (cannot use with M in Option 3)	—
V	Easy-On bracket (Height: 4⅞" to 5⅝", Width: 2¾" to 4")	2.9/1.32

*Option Suffix 3 Mechanical Assist Fuseholder

Suffix 3	Description
Blank	No option (may not be used with Z in Option 2)
M	Mechanical Assist Fuseholder (may not be used with Blank in Option 2)
F	Fargo cutout cover (available for 15 kV only) (may not be used with Blank in Option 2)



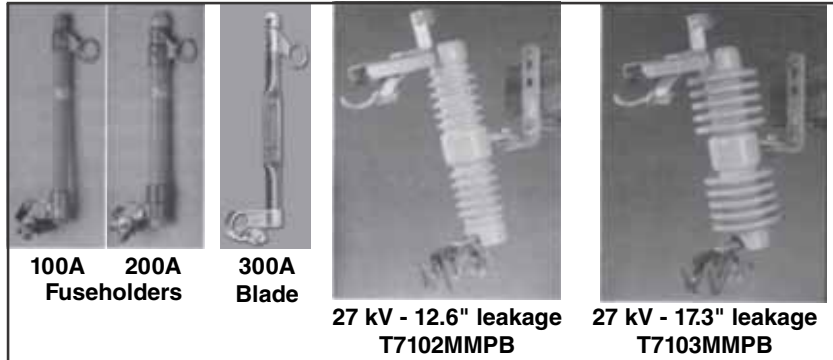
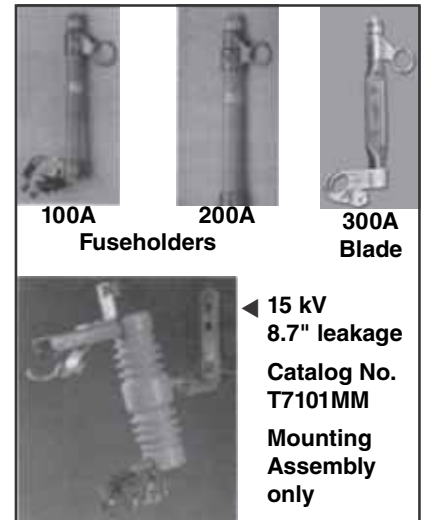
Type C STANDARD Cutout

Fuseholders and Mounting Assemblies

Ordering Information

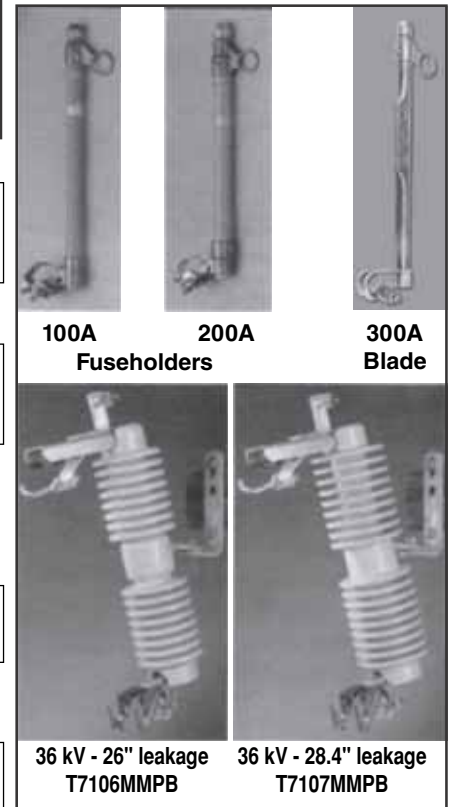
15 kV - 110 kV LIW (BIL)

*Cutout Base Catalog Number	Fuseholder or Blade only Catalog No.	Weight		Mounting Assembly only *Catalog No.	Weight	
		lb.	kg.		lb.	kg.
C710112	T710112T	1.8 lb.	0.82 kg.	T7101MM	12.9 lb.	5.85 kg.
C710114	T710114T	2.0 lb.	0.91 kg.			
C710143	T710143T	2.6 lb.	1.18 kg.			
C710133	T710133T	2.1 lb.	0.95 kg.			



27 kV - 125 kV LIW (BIL)

C710211	T710211T	2.1 lb.	0.95 kg.	T7102MM	15.6 lb.	7.08 kg.
C710213	T710213T	2.3 lb.	1.14 kg.			
C710242	T710242T	2.7 lb.	1.22 kg.			
C710233	T710233T	2.5 lb.	1.13 kg.			



27 kV - 150 kV LIW (BIL)

C710311	T710311T	2.1 lb.	0.95 kg.	T7103MM	21.3 lb.	9.66 kg.
C710313	T710313T	2.3 lb.	1.14 kg.			
C710342	T710342T	2.7 lb.	1.22 kg.			
C710333	T710333T	2.5 lb.	1.13 kg.			

36 kV - 170 kV LIW (BIL)

C710613	T710613T	2.8 lb.	1.27 kg.	T7106MM	23.4 lb.	10.61 kg.
C710643	T710643T	3.2 lb.	1.45 kg.			
C710633	T710633T	2.8 lb.	1.27 kg.			

NOTE: 26" fuse links are recommended.

36 kV - 170 kV LIW (BIL)

C710713	T710713T	2.8 lb.	1.27 kg.	T7107MM	28.7 lb.	13.02 kg.
C710743	T710743T	3.2 lb.	1.45 kg.			
C710733	T710733T	2.8 lb.	1.27 kg.			

NOTE: 26" fuse links are recommended.

Universal Cutout Tool

Ideal for Standard and Linkbreak 100 amp fuse holders (ABB, Chance S&C) to easily lift out, place, *open and close. Inverted, secure method also fits Chance Electronic Sectionalizers.
Cat. No. **PSC4033484** (Wt. 4 oz.) See Tools Catalog Section 2100.



*When opening a cutout, follow all work rules and OSHA regulations. **Not for use with Loadbreak cutouts.**

Type C 100-Amp LINKBREAK Cutout

15 kv - 110 kv LIW (BIL)
15/27 kv - 125 kv LIW (BIL)

22/36.4 kv - 150 kv LIW (BIL)
22/36.4 kv - 170 kv LIW (BIL)



A sharp downward pull on the lever with a hookstick breaks the fuselink.

15 kV - 110 kV LIW (BIL) unit

All standard non-loadbreak fuseholders and the linkbreak fuseholders are interchangeable and fit into both the non-loadbreak and Type C LINKBREAK cutout mounting assemblies produced after January 1985. Mounting assemblies are same as Type C STANDARD cutouts, shown on page 10A-7.

Ratings / Specifications

The 15 kV Type C LINKBREAK cutout has a maximum design voltage rating of 15 kV. There are no voltage restrictions on application to grounded wye, ungrounded wye, or delta systems having maximum operating voltages (line to line) equal to or less than the cutout maximum design voltage rating.

The 15/27 and 22/36.4 kV Type C LINKBREAK cutouts have maximum design slant voltage ratings. These cutouts are to be used on systems which have phase-to-ground voltages no greater than the value listed to the left of the slant (/) and which have phase-to-phase voltages no greater than the value listed to the right of the slant.

The Type C LINKBREAK cutout is to be used with only Chance, McGraw-Edison and Kearney fuselinks. S&C Electric fuselinks and other fuselinks which require more than 1 inch elongation before breaking must not be used with the Type C LINKBREAK cutout.

Application

The Chance Type C 100 amp LINKBREAK cutout provides short circuit protection to utility lines with the added feature of mechanical linkbreak capability in a loadbreaking function. Linkbreak cutouts provide reliable protection from overloads that just melt the fuselink through the maximum interrupt capacity of the fuseholder and also provide inductive and capacitive loadbreak capability. For loadbreak ratings see chart, next page.

The unit will also accept the Type C 200 amp non-loadbreak fuseholder or a 300 amp disconnect blade. Each LINKBREAK cutout includes standard loadbreak hooks to use with portable loadbreak tools. This method is particularly useful for switching of the 200 amp fuseholder and 300 amp disconnect blade.

Design / Product Features

Construction and product details shown on page 10A-3 apply to the LINKBREAK cutout except that the link-ejector on the linkbreak fuseholder is a copper-alloy casting instead of a stainless-steel stamping.

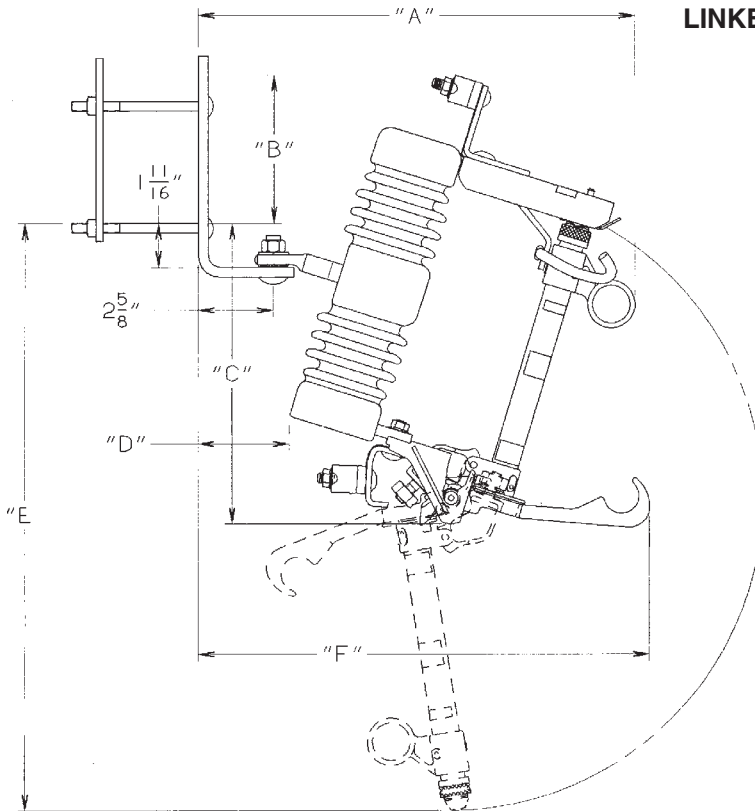
The unit utilizes a stainless-steel linkbreak lever to mechanically break fuselink elements thereby obtaining load interruption within the fuseholder. The long lever is positioned directly in-line with the cutout, rather than on one side or in back of the cutout for convenient pull-down operation.



15/27 kv - 125 kv LIW (BIL) unit



Type C 100-Amp LINKBREAK Cutout



LINKBREAK Cutout with NEMA Type B Bracket Dimensions

LIW (BIL) kV	A	B	C	D	E	F
110	16"	5 ³ / ₈ "	10 ³ / ₄ "	3 ¹ / ₂ "	22"	16 ⁵ / ₈ "
	406 mm	137 mm	273 mm	89 mm	559 mm	422 mm
125	16 ³ / ₈ "	7 ¹ / ₈ "	12 ¹ / ₂ "	3 ¹ / ₈ "	26 ³ / ₄ "	16"
	416 mm	181 mm	318 mm	79 mm	679 mm	406 mm
150	16 ³ / ₈ "	7 ¹ / ₈ "	12 ¹ / ₂ "	3 ¹ / ₈ "	26 ³ / ₄ "	16"
	416 mm	181 mm	318 mm	79 mm	679 mm	406 mm
170	17 ¹ / ₄ "	8 ¹ / ₂ "	15"	1 ³ / ₄ "	32 ¹ / ₂ "	14 ¹ / ₂ "
	438 mm	216 mm	381 mm	416 mm	826 mm	368 mm

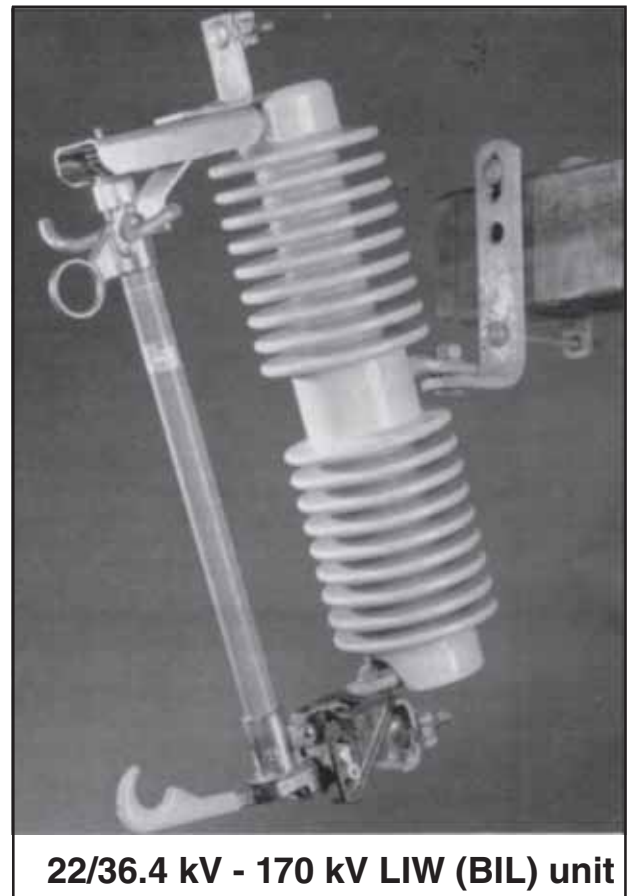
Loadbreak Ratings

*Base Cutout Catalog Number	kV, Nominal System Voltage	Inductive Amperes	Capacitive Amperes
C720112	14.4	100	100
C720114	14.4	100	100
C720211 [†]	24.9	100	100
C720213 [†]	24.9	100	100
C720311 [†]	34.5	100	50
C720313 [†]	34.5	100	50
C720613 [†]	34.5	100	50

*Specifications and ordering information on next page.
[†]Limited to grounded-wye systems with grounded-wye loads.

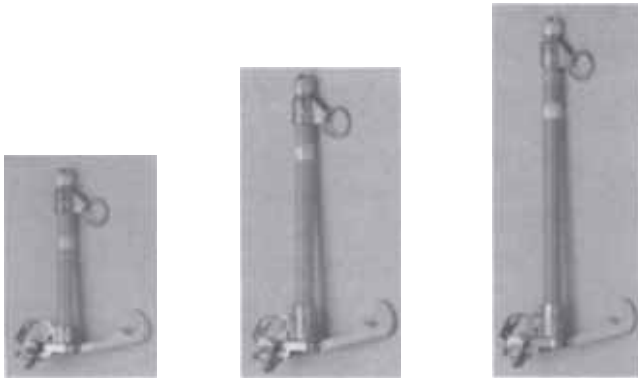


22/36.4 kV - 150 kV LIW (BIL) unit



22/36.4 kV - 170 kV LIW (BIL) unit

Type C 100-Amp LINKBREAK Cutout



110 kV BIL

125 & 150 kV BIL

170 kV BIL

*Fuseholders (100 Amp only)

kV & BIL	Cutout Catalog Number	Fuseholder Catalog No.	Weight	
			lb.	kg.
15 kV	C720112PB	T720112T	2.5	1.13
110 kV BIL	C720114PB	T720114T	2.7	1.22
15/27 kV	C720211PB	T720211T	2.7	1.22
125 kV BIL	C720213PB	T720213T	2.9	1.32
22/36.4 kV	C720311PB	T720311T	2.7	1.22
150 kV BIL	C720313PB	T720313T	2.9	1.32
22/36.4 kV	C720613PB	T720613T	3.5	1.59
170 kV BIL				

*Mounting assemblies are same as Type C STANDARD cutouts, shown on page 10A-7.

See page 10A-15 for Accessories.

Specifications and Ordering Information

15 kV - 110 kV LIW (BIL) — RUS Listed

*Base Catalog No.	*Option suffixes below	Maximum Design Voltage	Nominal System Voltage	Continuous Current (Amps)	Interrupt Capacity (Asym Amps)	Leakage to Ground Metal to Metal		*Weight (lb./kg.)	Replacement Fusetube Cap	Arc Shortening Rod
C720112	<u>1</u> <u>2</u> <u>3</u>	15 kV	Thru 14.4 kV	100	10,000	8.7"	220 mm	14.53 / 6.59	P7001469P	No
C720114	<u>1</u> <u>2</u> <u>3</u>	15 kV	Thru 14.4 kV	100	16,000	8.7"	220 mm	14.73 / 6.68	E7001784P	Yes [‡]

15/27 kV - 125 kV LIW (BIL) — RUS Listed

C720211	<u>1</u> <u>2</u> <u>3</u>	15/27 kV	No Restrictions thru 14.9 kV;	100	8,000	12.6"	320 mm	17.23 / 7.82	P7001469P	No
C720213	<u>1</u> <u>2</u> <u>3</u>	15/27 kV	*20.8 thru 24.9 kV	100	12,000	12.6"	320 mm	17.43 / 7.91	E7001785P	Yes [‡]

22/36.4 kV - 150 kV LIW (BIL) — RUS Listed

C720311	<u>1</u> <u>2</u> <u>3</u>	22/36.4 kV	No Restrictions thru 20.8 kV;	100	8,000	17.3"	440 mm	23.03/10.45	P7001469P	No
C720313	<u>1</u> <u>2</u> <u>3</u>	22/36.4 kV	*22.8 thru 34.5 kV	100	12,000	17.3"	440 mm	23.23/10.54	E7001785P	Yes [‡]

22/36.4 kV - 170 kV LIW (BIL) — RUS Listed

C720613	<u>1</u> <u>2</u> <u>3</u>	22/36.4 kV	No Restrictions thru 20.8 kV; *22.8 thru 34.5 kV	100	11,200	26.0"	660 mm	26.13/11.85	PE7001787P	Yes [‡]
---------	----------------------------	------------	--	-----	--------	-------	--------	-------------	------------	------------------

NOTE: 26" fuse links are recommended.

[‡]Must use removable buttonhead fuse links.

*Adjust total weight when selecting Options below.

[†]For application on single-phase to neutral circuits with phase-to-ground voltages not exceeding the value to the left of the slant; and for application on three-phase solidly-grounded-wye systems with solidly-grounded loads with line-to-line voltages not exceeding the value to the right of the slant.

*Option Suffix 1

Terminal Variations

Suffix 1	Description	*Weight (lb./kg.)
P	Parallel-groove clamps	0.33/0.15
E	Small eyebolts	0.16 / 0.07
L	Large eyebolts	0.31/0.14
R	Lower PG Clamp Rotated 90°	0.33/0.15

Must specify one selection for Option 1.

*Option Suffix 2

Bracket Variations

Suffix 2	Description	*Weight (lb./kg.)
B	NEMA Heavy Duty "B" bracket for crossarm (1½" bolt)	2.84/1.29
X	Extended type bracket for crossarm (Horizontal section is 2⅝" longer than Type B bracket)	3.75/1.70
D	D-shape bracket (pole)	7.67/3.48
Z	No bracket (must be used with M in Option 3)	—
Blank	No bracket (cannot use with M in Option 3)	—
V	Easy-On bracket (Height: 4⅛" to 5⅝", Width: 2¾" to 4")	2.9/1.32

*Option Suffix 3

Mechanical Assist Fuseholder

Suffix 3	Description
Blank	No option (may <u>not</u> be used with Z in Option 2)
M	Mechanical Assist Fuseholder (may <u>not</u> be used with Blank in Option 2)
F	Fargo cutout cover (available for 15 kV only) (may <u>not</u> be used with Blank in Option 2)



Type C LOADBREAK Cutout with Arc Chute type interrupter

- 15 kv
- 15/27 kv
- 20/34.5 kv

Application

The Type C Loadbreak Cutout is available for application on 15, 25 and 35 kV distribution systems. The addition of the arc chute expands the flexibility of the Chance protective devices family by providing loadbreak capability for cutouts and disconnect solid blade units. The loadbreak cutout provides short circuit protection to utility lines with the added feature of a loadbreaking function.

The loadbreak cutout is applicable for transformer and capacitor bank switching or line sectionalizing. Loadbreak cutouts provide protection from overloads that just melt the fuselink through the maximum interrupt capacity of the fuseholder. They also provide loadbreak capability through 300 amperes.

Design

All design features and most components of the loadbreak unit are identical to those incorporated in the Type C standard cutout. The loadbreak portion of the Type C Loadbreak cutout is a heavy duty, reliable load interrupter that provides a positive visible loadbreak. A common loadbreak mounting assembly will accept the Chance Type C 100 amp and 200 amp loadbreak fuseholders or a 300 amp loadbreak disconnect blade. The Type C LOADBREAK fuseholder is not designed to be interchangeable with any other manufacturer's cutout.

Ratings/Specifications

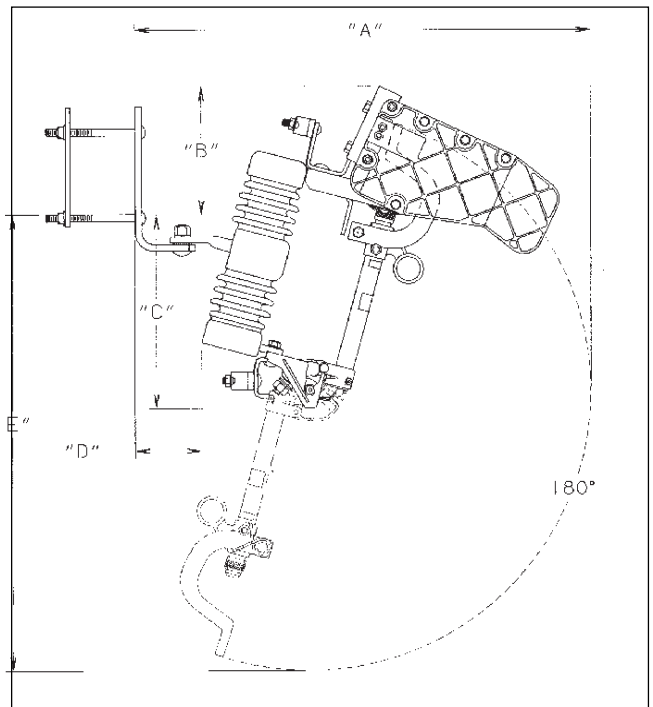
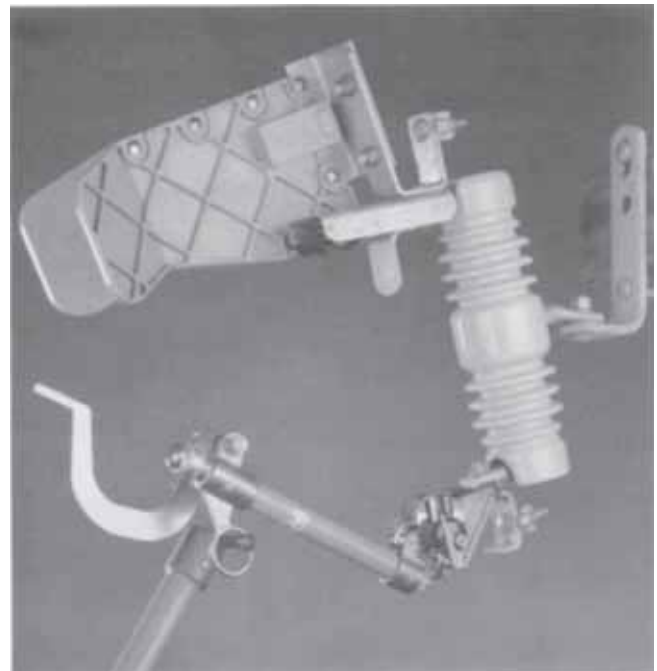
The 15kV Type C loadbreak cutout has a maximum design voltage rating of 15kV. There are no voltage restrictions on application to grounded wye, ungrounded wye, or delta systems having maximum operating voltages (line to line) equal to or less than the cutout maximum design voltage rating.

The 15/27 and 20/34.5 kV Type C loadbreak cutouts have maximum design slant voltage ratings. These cutouts are to be used on systems which have phase-to-ground voltages no greater than the value listed to the left of the slant (/) and which have phase-to-phase voltages no greater than the value listed to the right of the slant.

Fuseholders and mounting assemblies from other manufacturers' loadbreak cutouts are not interchangeable with Chance loadbreak cutouts. Likewise, Chance fuseholders and mountings are not interchangeable with other manufacturers' loadbreak cutouts.

Operation

The self-contained loadbreak device enables the lineman to interrupt load current by means of a simple hookstick operation. To break the current, the lineman inserts a hookstick into the operating ring and rapidly opens the device. Upon opening, a spring-loaded stainless steel blade mechanism snaps out through a gray arc chute and elongates, cools and extinguishes the confined arc. The loadbreaking operation is independent of the operating speed of the lineman. The fuse remains undamaged. No special or portable tools are required to operate the unit. In the open position, the fuseholder or blade hangs in an approximate vertical position for the visible-break.



Dimensions

kV LIW (BIL)	A	B	C	D	E
110	25 ¹ / ₄ " 642 mm	6 ⁷ / ₈ " 175 mm	10 ³ / ₄ " 273 mm	3 ¹ / ₂ " 89 mm	25 ⁵ / ₈ " 651 mm
125	28 ¹ / ₄ " 719 mm	8 ⁵ / ₈ " 219 mm	12 ¹ / ₂ " 318 mm	3 ¹ / ₈ " 79 mm	30 ⁷ / ₈ " 784 mm
150	28 ¹ / ₄ " 719 mm	8 ⁵ / ₈ " 219 mm	12 ¹ / ₂ " 318 mm	3 ¹ / ₈ " 79 mm	30 ⁷ / ₈ " 784 mm



Type C LOADBREAK Cutout with Arc Chute Interruption

Specifications and Ordering Information

See page 10A-15 for Accessories.

15 kV - 110 kV LIW (BIL) — RUS Listed

*Base Catalog No.	*Option suffixes below	Maximum Design Voltage	Nominal System Voltage	Continuous & Loadbreak Current (Amps)	Number of Operations	Interrupt Capacity (Asym Amps)	Leakage to Ground, Metal to Metal		*Weight (lb./kg.)	Replacement Fusetube Cap	Arc Shortening Rod
C730112	1 2 3	15 kV	Thru 14.4 kV	100	200	10,000	8.7"	220 mm	19.33/8.77	P7001535P	No
C730114	1 2 3	15 kV	Thru 14.4 kV	100	200	16,000	8.7"	220 mm	19.53/8.86	E7001767P	Yes [‡]
C730143	1 2 3	15 kV	Thru 14.4 kV	200	200	12,000	8.7"	220 mm	20.13/9.13	E7002146P	Yes [‡]
C730133	1 2 3	15 kV	Thru 14.4 kV	300	50	12,000**	8.7"	220 mm	19.63/8.90	P7001535P	N/A

15 kV, 110 kV LIW (BIL)



15/27 kV,
125 kV
LIW (BIL)

20/34.5 kV,
150 kV
LIW (BIL)



15/27 kV -125 kV LIW (BIL) — RUS Listed

Catalog No.	Option Suffixes	Maximum Design Voltage	Restrictions	Current (Amps)	Operations	Interrupt Capacity (Asym Amps)	Leakage to Ground, Metal to Metal		*Weight (lb./kg.)	Replacement Fusetube Cap	Arc Shortening Rod
C730211	1 2 3	15/27 kV	No Restrictions thru 14.4 kV; [‡] 20.8 thru 24.9 kV	100	200	8,000	12.6"	320 mm	21.93/9.95	P7001535P	No
C730213	1 2 3	15/27 kV		100	200	12,000	12.6"	320 mm	22.13/10.04	E7001768P	Yes [‡]
C730242	1 2 3	15/27 kV		200	200	10,000	12.6"	320 mm	22.83/10.36	E7002479P	Yes [‡]
C730233	1 2 3	15/27 kV		300	50	12,000**	12.6"	320 mm	22.33/10.13	P7001535P	N/A

20/34.5 kV -150 kV LIW (BIL) — RUS Listed

Catalog No.	Option Suffixes	Maximum Design Voltage	Restrictions	Current (Amps)	Operations	Interrupt Capacity (Asym Amps)	Leakage to Ground, Metal to Metal		*Weight (lb./kg.)	Replacement Fusetube Cap	Arc Shortening Rod
C730311	1 2 3	20/34.5 kV	No Restrictions thru 14.4 kV; [‡] 20.8 thru 34.5 kV	100	100	8,000	17.3"	440 mm	27.73/12.58	P7001535P	No
C730313	1 2 3	20/34.5 kV		100	100	12,000	17.3"	440 mm	27.93/12.67	E7001768P	Yes [‡]

**Momentary rating — Solid blade

[‡]Must use removable buttonhead fuse links. *Adjust total weight when selecting Options below.

[†]For application on single-phase to neutral circuits with phase-to-ground voltages not exceeding the value to the left of the slant; and for application on three-phase solidly-grounded-wye systems with solidly-grounded loads with line-to-line voltages not exceeding the value to the right of the slant.

*Option Suffix 1 Terminal Variations

Suffix 1	Description	*Weight (lb./kg.)
P	Parallel-groove clamps	0.33/0.15
E	Small eyebolts	0.16 /0.07
L	Large eyebolts	0.31/0.14
R	Lower PG Clamp Rotated 90°	0.33/0.15

Must specify one selection for Option 1.

*Option Suffix 2 Bracket Variations

Suffix 2	Description	*Weight (lb./kg.)
B	NEMA Heavy Duty "B" bracket for crossarm (1½" bolt)	2.84/1.29
X	Extended type bracket for crossarm (Horizontal section is 2⅝" longer than Type B bracket)	3.75/1.70
D	D-shape bracket (pole)	7.67/3.48
Z	No bracket (must be used with M in Option 3)	—
Blank	No bracket (cannot use with M in Option 3)	—
V	Easy-On bracket (Height: 4⅛" to 5⅝", Width: 2¾" to 4")	2.9/1.32

*Option Suffix 3 Mechanical Assist Fuseholder

Suffix 3	Description
Blank	No option (may not be used with Z in Option 2)
M	Mechanical Assist Fuseholder (may not be used with Blank in Option 2)



Type C LOADBREAK Cutout Fuseholders and Mounting Assemblies

15 kV - 110 kV LIW (BIL)

Cutout Catalog Number	Fuseholder or Blade only Catalog No.	Weight		Mounting Assembly only *Catalog No.	Weight	
		lb.	kg.		lb.	kg.
C730112	T730112T	3.3 lb.	1.5 kg.	T7301MM	18.6 lb.	8.4 kg.
C730114	T730114T	3.5 lb.	1.6 kg.			
C730143	T730143T	4.1 lb.	1.9 kg.			
C730133	T730133T	3.6 lb.	1.6 kg.			

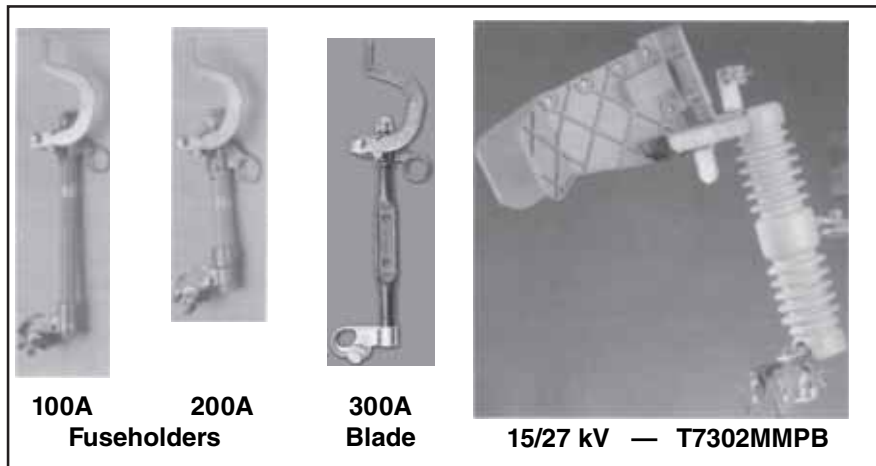
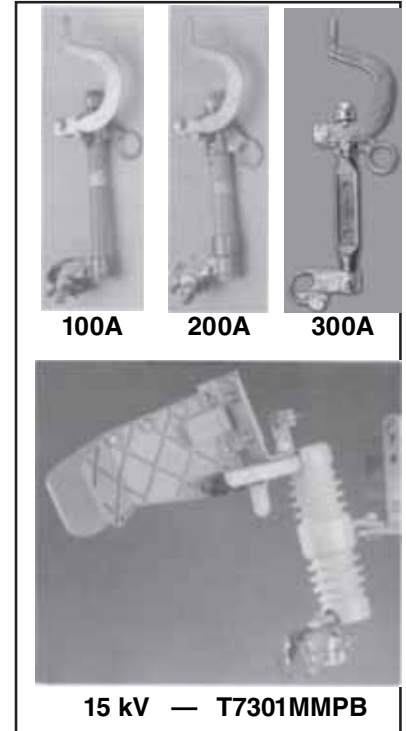
15/27 kV - 125 kV LIW (BIL)

C730211	T730211T	3.6 lb.	1.6 kg.	T7302MM	20.8 lb.	9.4 kg.
C730213	T730213T	3.8 lb.	1.7 kg.			
C730242	T730242T	4.4 lb.	2.0 kg.			
C730233	T730233T	4.0 lb.	1.8 kg.			

20/34.5 kV - 150 kV LIW (BIL)

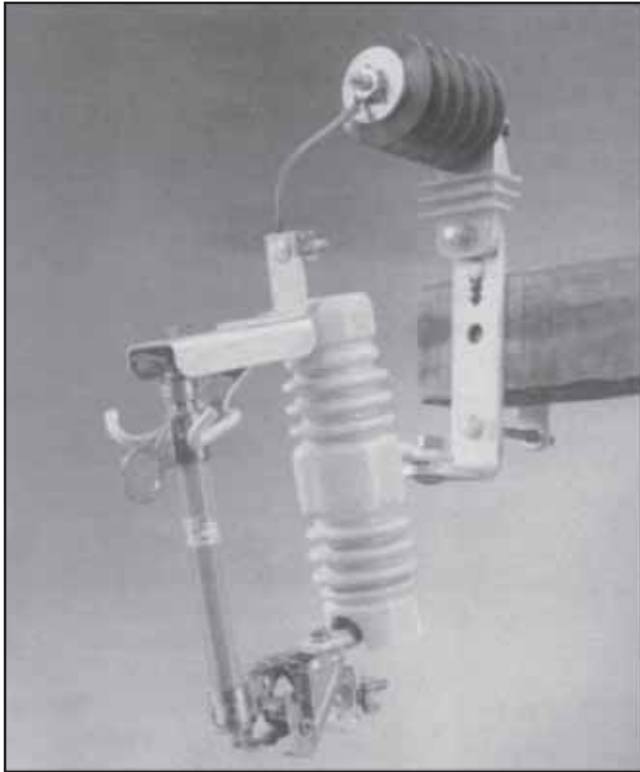
C730311	T730311T	3.6 lb.	1.6 kg.	T7303MM	26.6 lb.	12.1 kg.
C730313	T730313T	3.8 lb.	1.7 kg.			

Replacement Arc Chute Interrupter: Catalog No. T7300080 (1.2 lb. / 0.54 kg.)

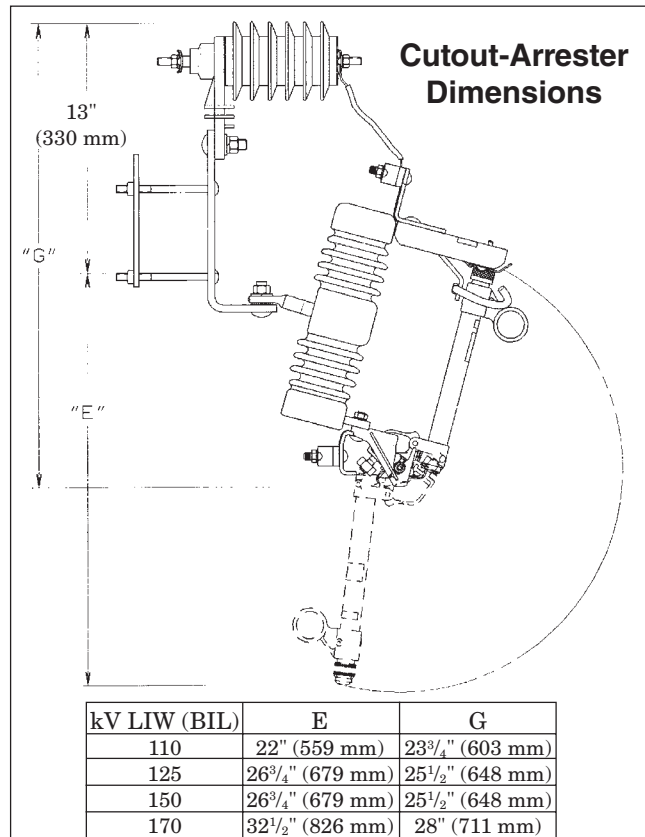


Type C Cutout-Arrester Combinations

Over-the-Arm Type only



15 kV cutout with direct-connected Ohio Brass large-block, MOV, polymer 9 kV lightning arrester



Advantages of combination

Chance cutout-arrester combinations cost less than the total cost of separately purchased components. The combination units install faster, more economically and take up less space in storage, transit and service. Each combined unit takes up a minimum of space on the crossarm and has a favorable weight distribution for minimal off-center loading. The field-proven quality of both cutout and arrester assure consistent

high performance for the combinations.

These units include Chance cutouts fitted with **only** Ohio Brass[®] MOV arresters, superseding previous silicon-carbide units. For easy conversion to the new arrester designation system, refer to the Cutout Cross-Reference Guide, Bulletin 10-0203.

Arrester Manufacturer	MCOV Duty Cycle kV Rating	Arrester Connection Method	Metal Oxide Varister (MOV)			
			Polymer			
			110		125 & 150	
		9	10	18	27	
Ohio Brass	Small Block Normal Duty 5 kA	Direct	DL	DM	DN	DP
	Large Block Heavy Duty 10 kA	Direct	EL	EM	EN	EP
	Riser Pole	Direct	FL	FM	FN	FP

— Operating Design
— Housing
— kV LIW (BIL) for Cutout
— kV Rating

Ordering Information

To specify a Cutout-Arrester Combination:

1. Select a two-letter designation for the appropriate arrester from the shaded section of the Table at left.
2. Substitute the two letters for the "0" in the Base Catalog No. for the appropriate Cutout listed on page 6, 10 or 12.



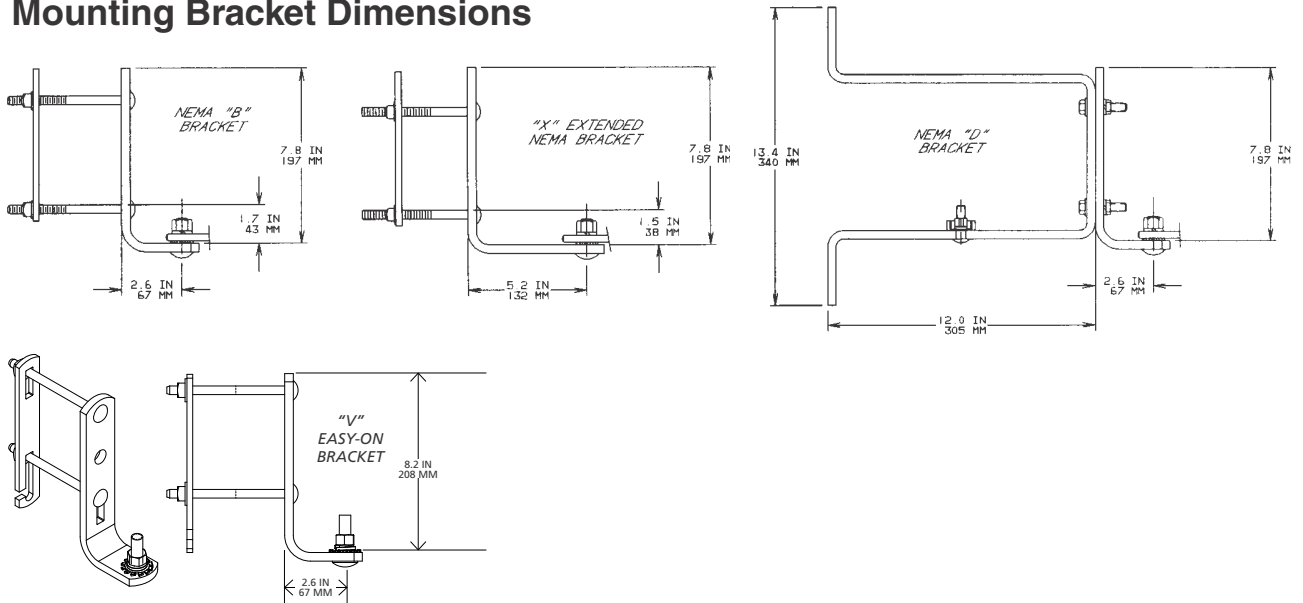
Accessories
Terminal Connectors

Cat. No.	Description	Wt. (lb./kg.)	Min. Order Qty.
T7001325	Parallel-Groove Clamp, tin-plated bronze for No. 6 sol. thru 4/0 ACSR or 250 kcmil stranded	0.33 / 0.15	10
T7001326	Small Eyebolt for No. 8 solid thru 2/0 stranded	0.16 / 0.07	10
T7001327	Large Eyebolt for No. 6 solid thru 4/0 ACSR or 250 kcmil stranded	0.40 / 0.14	10

Mounting Brackets

C2060283	NEMA Heavy Duty "B" Bracket with 1 1/2" captive bolt for crossarm mounting	2.84 / 1.29	—
C2060280	Extended Crossarm Bracket (Horizontal section is 2 5/8" longer than NEMA "B" bracket)	3.75 / 1.70	—
C2060299	"D" Pole Mounting Bracket	7.67 / 3.48	—
C2060632	Cutout/Arrester Bracket complete with carriage bolts and backstrap	4.00 / 1.81	—
PSC2060887	"V" Easy-On bracket (Height: 4 1/8" to 5 5/32", Width: 2 3/4" to 4")	2.9 / 1.32	—

Mounting Bracket Dimensions



Fargo Cutout Cover
ONE PIECE WILDLIFE PROTECTOR

Available as an Option on Standard and Linkbreak Type C-Porcelain Cutouts (see pages 10A-6 and 10A-10), Cover also may be ordered as a separate line item as **Catalog No. CC101**. **Material:** Proprietary low track vinyl that is UV stabilized for long-term performance. Gray color.

- Designed to provide protection for cutouts from accidental contact by squirrels, birds or other wildlife.
- Universal one-piece design for easy installation or retrofit. Fits Chance 15 kV Standard and Linkbreak Cutouts, both Polymer and Porcelain types.

Fastener installation locations
(2 fasteners per assembly)



Universal Cutout Tool

Ideal for Standard and Linkbreak 100 amp fuse holders (ABB, Chance, S&C) to easily lift out, place, *open and close. Inverted, secure method also fits Chance Electronic Sectionalizers.

Cat. No. **PSC4033484** (Wt. 4 oz.) See Tools Catalog Section 2100.

**When opening a cutout, follow all work rules and OSHA regulations. Not for use with Loadbreak cutouts.*



HUBBELL®

Power Systems, Inc.

• 8100 Churchill Avenue • Leeds, Alabama 35094 • (205) 699-0840

NOTICE: For the latest revision of our Catalog and Literature, click here or visit our web site: www.hubbellpowersystems.com

NOTE: Hubbell has a policy of continuous product improvement. Please visit hubbellpowersystems.com to confirm current design specifications. ©Copyright 2014 Hubbell Incorporated

NEVER COMPROMISE™

www.hubbellpowersystems.com

