

DATE:	LOCATION:
TYPE:	PROJECT:
CATALOG #:	

tradeSELECT®



**FEATURES**

- Lumen packages ranging from 10,000 to 57,000 lumens
- Wide and narrow lens distribution options
- -40°C to 50°C ambient operating temperatures
- 4000/5000K options with 80 CRI
- IP4X Rated



RELATED PRODUCTS

[Peloton](#)

**SPECIFICATIONS**

**CONSTRUCTION**

- Durable extruded aluminum housing for shipment and job site handling

**OPTICS**

- Wide distribution standard, narrow distribution option
- Polycarbonate lens with diffusion for distribution and glare reduction

**INSTALLATION**

- Cable mount option
- Pendant mount available through ¾" KO on back of housing
- Surface mount brackets available

**ELECTRICAL**

- Efficient LED light engine (up to 158 LPW)
- Long life LEDs >54,000 at L70
- 0–10V dimming standard with dimming range of 100% to 10%
- Available in 120–277V and 347–480V
- 6kV standard surge protection

**CERTIFICATIONS**

- All luminaires are built to UL 1598 standards, and bear appropriate cULus labels for damp location

**CERTIFICATIONS (CONTINUED)**

- DLC® (DesignLights Consortium) Qualified, with some Premium Qualified configurations. Please refer to the DLC website for specific product qualifications at [www.designlights.org](http://www.designlights.org)
- IP4X rated
- IK10 impact rated

**WARRANTY**

- 5 year warranty
- See [HLI Standard Warranty](#) for additional information

KEY DATA	
Lumen Range	10,000–57,000
Wattage Range	75–388
Efficacy Range (LPW)	137–158
Reported Life (Hours)	L70/54,000

**ORDERING GUIDE**

Example: CLB4-40MH-N-EDU

CATALOG #

CLB		Color Temp		Lumen Output		Distribution		ED	
Model	Size							Driver	Voltage
CLB Linear High Bay	2 2'	40	4000K	LX	2' (10,000)	N	Narrow	ED 0-10V Dimming	U Universal (120-277V)
	4 4'	50	5000K	MM	2' (14,000)	W	Wide		HV High Voltage (347-480V)
				MH	2' (24,000)				
				MV	2' (30,000)				
				MX	4' (36,000)				
				HM	4' (42,000)				
				HH	4' (57,000)				

Options	Control Options
<b>C6TL20_</b> 6' Cord and Twist-Lock™ Plug 20A (Add Voltage 1=120, 2=277, 4=480)	<b>WSP360</b> HCS On/ Off WASP End Mount 360° Lens <sup>3</sup> <b>WSPA</b> HCS On/ Off WASP End Mount Aisle Lens <sup>3</sup>
<b>C6TL15_</b> 6' Cord and Twist-Lock™ Plug 15A (Add Voltage 1=120, 2=277)	<b>WSPD360</b> HCS Dimming WASP End Mount 360° Lens <sup>4</sup> <b>WSPDA</b> HCS Dimming WASP End Mount Aisle Lens <sup>4</sup>
<b>F3C5</b> 5' Cord, 3-Wire	<b>WSPDBT360</b> HCS BT Dimming WASP, Occupancy/ Daylight Sensor, 360° Lens <sup>5</sup>
<b>F4C5</b> 5' Cord, 4-Wire	<b>WSPDBTA</b> HCS BT Dimming WASP, Occupancy/ Daylight Sensor, Aisle Lens <sup>5</sup>
<b>F5C5</b> 5' Cord, 5-Wire	
<b>F6C5</b> 5' Cord, 6-Wire	
<b>C388</b> 3-Wire Flex	
<b>C488</b> 4-Wire Flex	
<b>C588</b> 5-Wire Flex	
<b>C688</b> 6-Wire Flex	
<b>ELL15</b> 15W Emergency Battery Pack <sup>1,2</sup>	

Accessories (Order Separately)	
<b>LHVQM5</b>	Aircraft Cable, 5' Pair
<b>LHVQM10</b>	Aircraft Cable, 10' Pair
<b>CLB-SMB</b>	Surface Mount Bracket Kit

Notes:

- Battery only available in 120-277V
- Ambient temperature operating range of -40°C to 40°C with ELL15 option
- WSP360/A sensor option will use [HCS WASP End Mount Sensor](#)
- WSPD360/A sensor option will use [HCS Dimming WASP End Mount Sensor](#)
- WSPDBT360/A sensor option will use [HCS Bluetooth WASP End Mount Sensor](#)

**STOCK GUIDE**

Catalog Number	Nominal Lumens	Color	Delivered Lumens	Wattage	LPW	Pallet QTY
CLB2-40LX-W-EDU	2' LX (10,000)	4000K	10,527	75.9	139	78
CLB2-50LX-W-EDU		5000K	10,477	73.7	142	78
CLB2-40MM-W-EDU	2' MM (14,000)	4000K	15,091	100.2	151	78
CLB2-50MM-W-EDU		5000K	13,717	98.9	139	78
CLB2-40MH-W-EDU	2' MH (24,000)	4000K	20,831	153.9	135	78
CLB2-50MH-W-EDU		5000K	22,297	148.7	150	78
CLB2-40MV-W-EDU	2' MV (30,000)	4000K	26,364	191.2	138	52
CLB2-50MV-W-EDU		5000K	29,674	201.0	148	52
CLB4-40MX-W-EDU	4' MX (36,000)	4000K	35,051	240.9	145	39
CLB4-50MX-W-EDU		5000K	37,145	242.0	154	39
CLB4-40HM-W-EDU	4' HM (42,000)	4000K	42,810	299.0	143	39
CLB4-50HM-W-EDU		5000K	44,006	301.6	146	39
CLB4-40HH-W-EDU	4' HH (57,000)	4000K	57,047	388.2	147	52
CLB4-50HH-W-EDU		5000K	55,637	393.7	141	52

**DELIVERED LUMENS**

Catalog Number	Nominal Lumens	Color	Delivered Lumens	Wattage	LPW
CLB2-40LX-N-EDU	2' LX (10,000)	4000K	10,791	75.9	142
CLB2-40LX-W-EDU			10,527	75.9	139
CLB2-50LX-N-EDU		5000K	10,578	73.9	143
CLB2-50LX-W-EDU			10,477	73.7	142
CLB2-40MM-N-EDU	2' MM (14,000)	4000K	14,911	100.0	149
CLB2-40MM-W-EDU			15,091	100.2	151
CLB2-50MM-W-EDU		5000K	13,717	98.9	139
CLB2-50MM-N-EDU			13,573	98.9	137
CLB2-40MH-N-EDU	2' MH (24,000)	4000K	20,235	147.9	137
CLB2-40MH-W-EDU			20,831	153.9	135
CLB2-50MH-N-EDU		5000K	23,970	152.1	158
CLB2-50MH-W-EDU			22,297	148.7	150
CLB2-40MV-N-EDU	2' MV (30,000)	4000K	27,181	191.0	142
CLB2-40MV-W-EDU			26,364	191.2	138
CLB2-50MV-N-EDU		5000K	30,160	200.8	150
CLB2-50MV-W-EDU			29,674	201.0	148
CLB4-40MX-N-EDU	4' MX (36,000)	4000K	34,922	240.7	145
CLB4-40MX-W-EDU			35,051	240.9	145
CLB4-50MX-N-EDU		5000K	36,769	241.6	152
CLB4-50MX-W-EDU			37,145	242.0	154
CLB4-40HM-N-EDU	4' HM (42,000)	4000K	42,170	298.3	141
CLB4-40HM-W-EDU			42,810	299.0	143
CLB4-50HM-N-EDU		5000K	45,507	300.3	152
CLB4-50HM-W-EDU			44,006	301.6	146
CLB4-40HH-N-EDU	4' HH (57,000)	4000K	57,642	388.1	149
CLB4-40HH-W-EDU			57,047	388.2	147
CLB4-50HH-N-EDU		5000K	55,280	397.0	139
CLB4-50HH-W-EDU			55,637	393.7	141

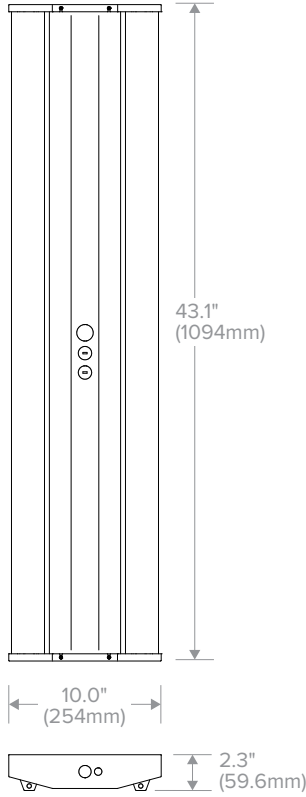
**DIMENSIONS**

DATE: \_\_\_\_\_ LOCATION: \_\_\_\_\_

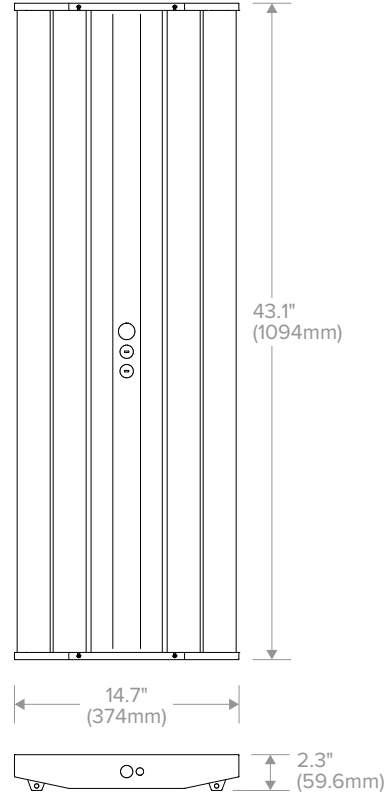
TYPE: \_\_\_\_\_ PROJECT: \_\_\_\_\_

CATALOG #: \_\_\_\_\_

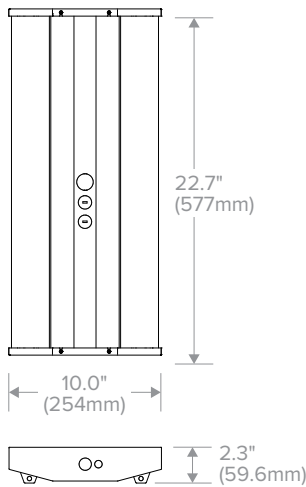
**MX & HM MODELS**



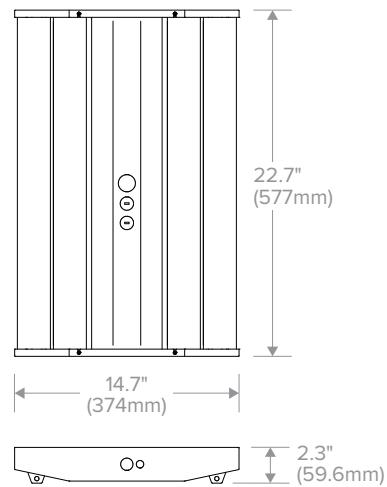
**HH MODEL**



**LX, MM & MH MODELS**



**MV MODEL**



**ADDITIONAL INFORMATION**

**MOUNTING OPTIONS**

Cable Mount (cables ordered as accessory)



Surface Mount (optional), with CLB-SMB accessory



Pendant Mount (optional), pendant by others



**PHOTOMETRY**

**CLB2-40MH-W-EDU**

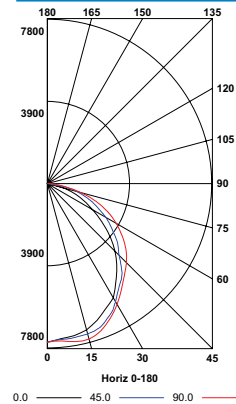
**LUMINAIRE DATA**

Test No.	CLB2-40MH-W-EDU
Description	Columbia Linear Highbay
Delivered Lumens	20844
Watts	153.875
Efficacy	135
Spacing Criterion	0° = 1.23 90° = 1.29

**ZONAL LUMEN SUMMARY**

Zone	Lumens	% Luminaire
0-30	5950	28.5
0-40	9666	46.4
0-60	16795	80.6
0-90	20841	100.0
0-180	20844	100.0

**INDOOR CANDELA PLOT**



**CLB4-40MX-N-EDU**

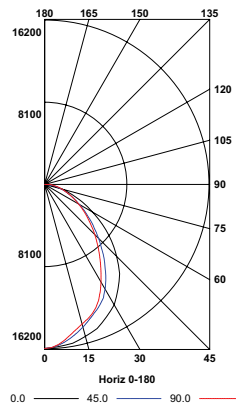
**LUMINAIRE DATA**

Test No.	CLB4-40MX-N-EDU
Description	Columbia Linear Highbay
Delivered Lumens	34953
Watts	240.732
Efficacy	145
Spacing Criterion	0° = 1.25 90° = 1.06

**ZONAL LUMEN SUMMARY**

Zone	Lumens	% Luminaire
0-30	11717	33.5
0-40	18417	52.7
0-60	29401	84.1
0-90	34944	100.0
0-180	34953	100.0

**INDOOR CANDELA PLOT**



All product and company names, logos and product identifiers are trademarks™ or registered trademarks® of Hubbell Lighting, Inc. or their respective owners. Use of them does not necessarily imply any affiliation with or endorsement by such respective owners.