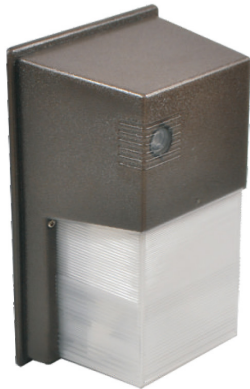


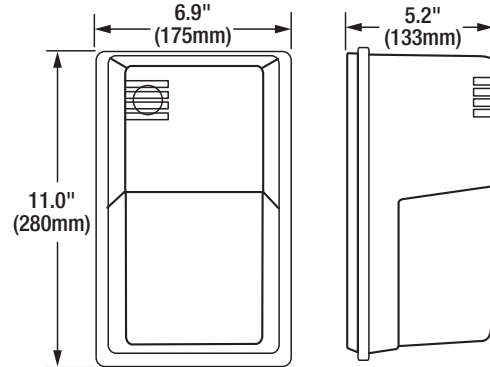
SYLVANIA Luminaires

Small Wall Pack



Catalog #	Type
Project	
Notes	
Date	
Prepared by	

Dimensions



Product Features

- Up to 90% energy savings while maintaining traditional design
- Available with optional photocontrol for additional energy savings
- Low maintenance and long life ($L_{70} \geq 150,000$ hours)

Wattage Comparison Chart

Small Wall Pack

Traditional Source	Traditional System Wattage	LED System Wattage	Energy Savings
23W CFL	23	15	35%
35W HPS	45	15	67%
42W CFL	46	15	67%
50W HPS	62	15	76%
50W MH	62	15	76%
100W Inc	100	15	85%
150W Inc	150	15	90%

Specifications

Weight: 4.8lbs (2.2kg)

Construction: Aluminum alloy back plate with polycarbonate front cover. Epoxy paint finish. The standard color is bronze.

LED System: LED system with a life rating of $\geq 150,000$ hours at L_{70} @25°C. Luminaire efficacy up to 119 LPW.

Electrical: Offered in 15 Watts, the luminaire is designed to operate through the 120-277 V_{AC} universal voltage range. The LED driver has a 4kV inherent surge suppression and is a constant current device, meeting UL1310 and UL48 Class 2 with built-in over temperature protection. The fixture power factor is $\geq 90\%$ and THD is $\leq 20\%$.

Color Characteristics: CRI >70; CCT of 4000K or 5000K.

Optics: Non-Cutoff distribution with polycarbonate lens.

Options Available: Photocontrol.

Installation: Luminaire mounts to exterior wall. Level included in back plate.

Operating Temperature: -40°F to +104°F (-40°C to +40°C).

Listings: cULus listed to UL1598 standards for wet locations.

Warranty: Standard 5-year luminaire warranty (LEDLUM001).

Note: Specifications subject to change without notice. IES files available online.



Ordering Guide

Item Number:

<input type="text"/>	<input type="text"/>	/	<input type="text"/>	<input type="text"/>	<input type="text"/>		<input type="text"/>	/	<input type="text"/>	/	<input type="text"/>	
SMWLPAK	1N		XXX	UNV	7		XX		NC		BZ	X
Product Name	Generation		Wattage	Voltage	CRI		Color Temp (CCT)		Optics		Color/Finish	Options
SMWLPAK	1N		015 = 15W	UNV = 120-277V	7 ≥ 70		40 = 4000K 50 = 5000K		NC = Non-Cutoff Distribution		BZ = Bronze	Blank = No Option P = Photocontrol

Ordering Information

Item Number	Ordering Abbreviation	Power (W)	Input Voltage	CRI	Color Temp (CCT)	Distribution	Total Fixture Lumens	LPW*	DLC	BUG Rating	Options
60064†	SMWLPAK1N/015UNV740/NC/BZ	15	120-277	>70	4000K	Type I	1700	119	–	B1-U0-G1	–
60065†	SMWLPAK1N/015UNV750/NC/BZ	15	120-277	>70	5000K	Type I	1700	119	–	B1-U0-G1	–
60066†	SMWLPAK1N/015UNV740/NC/BZ/P	15	120-277	>70	4000K	Type I	1700	119	–	B1-U0-G1	Photocell
60067†	SMWLPAK1N/015UNV750/NC/BZ/P	15	120-277	>70	5000K	Type I	1700	119	–	B1-U0-G1	Photocell

*LPW per LM79 report.

†This NAED does not meet DLC 5.0 and was delisted as of 28 February 2021

For further information and to learn more about utility rebates, contact your local SYLVANIA sales representative.

LEDVANCE LLC
200 Ballardvale Street
Wilmington, MA 01887 USA
Phone 1-800-LIGHTBULB (1-800-544-4828)
www.sylvania.com

SYLVANIA and LEDVANCE are registered trademarks.
All other trademarks are those of their respective owners.
Licensee of product trademark SYLVANIA in general lighting.
Specifications subject to change without notice.

 /sylvania

 /sylvania

