

## DIMENSIONS

According to CSA C411.1 & ANSI C29-2

ANSI & CSA designation

Diameter of shell (D)

Spacing (P)

Creepage distance

Couplings according to ANSI C29-2B / to CSA

Approximate net weight

Class : 52-5-H & CS-5

10" in 255 mm

5" 3/4 in 146 mm

12" 5/8 in 320 mm

Class Type J / CS-5

10,1 lbs 4,6 kg

## MECHANICAL PERFORMANCE

According to CSA C411.1 & ANSI C29-1

Combined mechanical and electrical strength

Tension proof

Mechanical impact strength

30000 lbs 136 kN

15000 lbs 68 kN

400 in.lbs 45 N.m

## ELECTRICAL PERFORMANCE

According to CSA C411.1 & ANSI C29-1

Low frequency

Dry flashover voltage

Wet flashover voltage

Critical impulse flashover voltage

Positive

Negative

Low frequency puncture voltage

Radio interference test voltage rms

Maxi radio interference (1 MHz/150 Ω)

80 kV

50 kV

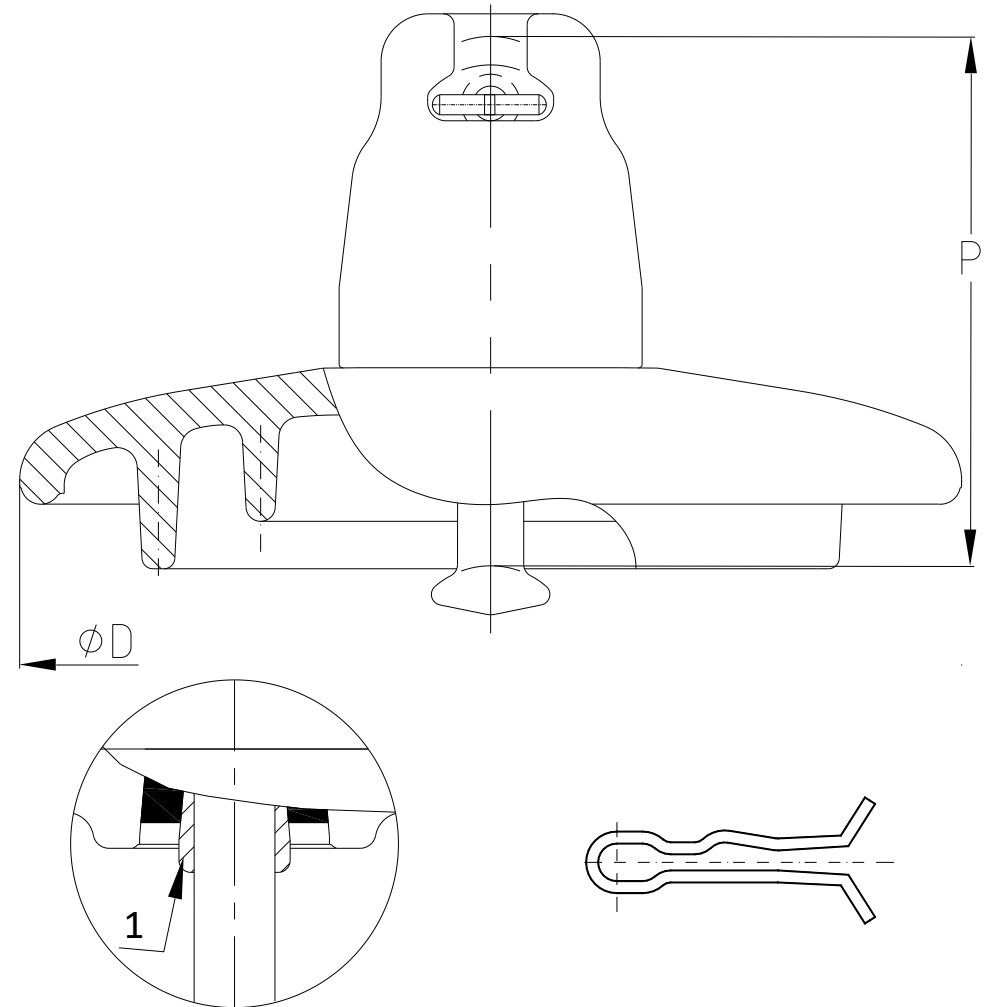
125 kV

130 kV

130 kV

10 kV

50 μV



## COMPONENT PARTS

Dielectric shell: Toughened Glass

Cap: Hot dip galvanized cast iron

Pin: Hot dip galvanized forged steel

Cotter key: Stainless Steel

Cement: Aluminous, hot cured

Sacrificial sleeve (1) >99.8% Zinc (adherent sleeve)

Code: NN140CF146Z(C/F)05JNID

# SE DIVER®

SEVES Spa  
Via R. Giuliani 360 50141 Florence, Italy

INSULATOR TYPE N 14/146 DC LT

Approved

Drawing n° : ENG 70254

Issue :

Date 19/12/2017

Drawings, sketches and other data contained in this document ("Proprietary Data") are protected by intellectual property laws and international treaty and conventions on intellectual property, and/or shall be treated as confidential information. Proprietary Data shall not be used for any purpose other than as permitted. Any reproduction or disclosure of this document shall not be construed as granting any right, title, license, interest to the Proprietary Data nor as representing an intent to authorize the creation of derivative work based on the Proprietary Data. Proprietary Data as well as any copies must be returned or destroyed, on first request.