

SYLVANIA Lamps

Halogen PAR Lamps

Application

Halogen PAR lamps are an affordable indoor/outdoor solution for recessed downlights, track lighting, wall washing, and general lighting applications in residential, retail, restaurant, hospitality, office, property management, and school environments.

Benefits and Features

- Fully dimmable, no special dimmer required
- Superior light quality at an affordable price
- Color temperature range from 2800K to 3000K
- Available in a wide variety of beam angles
- High CRI: 99+

Electrical

- 12V, 120V, 130V

Rated Life

- 1000 to 4500 hours

Warranty

- 30 Day Guarantee

Certifications and Listings

- RoHS
- CSA
- CSA Energy Verified

Item #
Type
Project
Notes
Date



Ordering Guide

XX	PARXX	HAL	XX	XX	XXXX	XX	XXXV
Wattage 36, 39, 50, 60, 70, 75, 80, 90	Lamp Type PAR16, PAR20, PAR30, PAR30LN, PAR36, PAR38	Technology HAL = Halogen	IR = Infrared S = Short	Base Type _ = E26 GU10 = GU10 PAR36 uses screw terminal and spade connector	Beam Spread NFL25, NFL30 FL30, FL40 NSP6, NSP10, NSP13 SP10 WFL30, WFL40, WFL50	LL = Long Life DL = Double Life TL = Triple Life	Voltage 12V, 120V, 130V

Ordering Information

Item Number	Ordering Abbreviation	Wattage	Base Type	Replaces	Input Voltage	Average Life (hrs)	CCT	Typical Lumens (lm)	CRI	Beam Angle	Case Qty.
10708	39PAR38HALNFL25120V 10/CS 1/SKU	39	E26/50x39	*16729	120V	1500	2850K	550	100	NFL25	10
10709	39PAR38HALNFL25120V 6/CS 1/SKU	39	E26/50x39	*16731	120V	1500	2850K	550	100	NFL25	6
10710	39PAR38HALNFL25130V 10/CS 1/SKU	39	E26/50x39	*16733	130V	1500	2850K	550	100	NFL25	10
10711	39PAR38HALNFL252120V 10/CS 2/SKU	39	E26/50x39	*16730	120V	1500	2850K	550	100	NFL25	10
10712	39PAR38HALNFL25LL120V 10/CS 1/SKU	39	E26/50x39	*16580	120V	2000	2800K	520	100	NFL25	10
10713	39PAR38HALSP10120V 10/CS 1/SKU	39	E26/50x39	*16728	120V	1500	2850K	550	100	SP10	10
10714	39PAR38HALSP10LL120V 10/CS 1/SKU	39	E26/50x39	*16579	120V	2000	2800K	520	100	SP10	10
10715	50PAR38HALNFL25120V 10/CS 1/SKU	50	E26/50x39	*16735	120V	1100	2875K	850	99	NFL25	10
10716	60PAR38HALNFL25120V 10/CS 1/SKU	60	E26/50x39	*16738	120V	1100	2900K	1070	99	NFL25	10
10717	60PAR38HALNFL252120V 10/CS 2/SKU	60	E26/50x39	*16739	120V	1100	2900K	1070	99	NFL25	10
10718	60PAR38HALNFL25CVP6120V 6/CS 6/SKU	60	E26/50x39	*16740	120V	1100	2900K	1070	99	NFL25	6
10719	60PAR38HALSP10120V 10/CS 1/SKU	60	E26/50x39	*16737	120V	1100	2900K	1070	99	SP10	10
10720	70PAR38HALNFL25120V 10/CS 1/SKU	70	E26/50x39	*16743	120V	1100	2925K	1305	99	NFL25	10
10721	70PAR38HALNFL25RP120V 6/CS 6/SKU	70	E26/50x39	*16745	120V	1100	2925K	1305	99	NFL25	6
10722	70PAR38HALNFL25TWIN120V 10/CS 2/SKU	70	E26/50x39	*16744	120V	1100	2925K	1305	99	NFL25	10
10723	70PAR38HALSP10120V 10/CS 1/SKU	70	E26/50x39	*16742	120V	1100	2925K	1305	99	SP10	10
10724	70PAR38HALWFL50120V 10/CS 1/SKU	70	E26/50x39	*16746	120V	1100	2925K	1305	99	WFL50	10
10725	80PAR38HALNFL25120V 10/CS 1/SKU	80	E26/50x39	*16748	120V	1100	2950K	1545	99	NFL25	10
10726	80PAR38HALNFL25120V 6/CS 6/SKU	80	E26/50x39	*16750	120V	1100	2950K	1545	99	NFL25	6
10727	80PAR38HALNFL252120V 10/CS 2/SKU	80	E26/50x39	*16749	120V	1100	2950K	1545	99	NFL25	10
10728	80PAR38HALSP10120V 10/CS 1/SKU	80	E26/50x39	*16747	120V	1100	2950K	1545	99	SP10	10
10729	80PAR38HALWFL50120V 10/CS 1/SKU	80	E26/50x39	*16751	120V	1100	2950K	1545	99	WFL50	10
17182	39PAR20HALFL30120V 10/CS 1/SKU	39	E26/24	*16104	120V	1500	2850K	475	100	FL30	10
17183	39PAR20HALFL30130V 10/CS 1/SKU	39	E26/24	*16109	130V	1500	2850K	475	100	FL30	10
17184	39PAR20HALFL302120V 10/CS 2/SKU	39	E26/24	*16105	120V	1500	2850K	475	100	FL30	10
17185	39PAR20HALFL30LL120V 10/CS 1/SKU	39	E26/24	*16111	120V	2000	2850K	450	100	FL30	10
17186	39PAR20HALFL30LL2120V 10/CS 2/SKU	39	E26/24	*16112	120V	2000	2850K	450	100	FL30	10
17187	39PAR20HALSP10120V 10/CS 1/SKU	39	E26/24	*16103	120V	1500	2850K	475	100	SP10	10
17188	39PAR30HALNFL25120V 10/CS 1/SKU	39	E26/24	*16118	120V	1500	2850K	550	100	NFL25	10
17189	39PAR30HALNFL25130V 10/CS 1/SKU	39	E26/24	*16122	130V	1500	2850K	550	100	NFL25	10
17190	39PAR30HALNFL25LL120V 10/CS 1/SKU	39	E26/24	*16134	120V	2000	2800K	520	100	NFL25	10
17191	39PAR30HALSP10120V 10/CS 1/SKU	39	E26/24	*16117	120V	1500	2850K	550	100	SP10	10
17192	39PAR30HALSP10130V 10/CS 1/SKU	39	E26/24	*16121	130V	1500	2850K	550	100	SP10	10
17193	39PAR30HALWFL50120V 10/CS 1/SKU	39	E26/24	*16119	120V	1500	2850K	550	100	WFL50	10
17194	39PAR30HALWFL50130V 10/CS 1/SKU	39	E26/24	*16123	130V	1500	2850K	550	100	WFL50	10
17195	50PAR30HALNFL25120V 10/CS 1/SKU	50	E26/24	*16125	120V	1100	2875K	850	99	NFL25	10
17196	60PAR30HALNFL25120V 10/CS 1/SKU	60	E26/24	*16128	120V	1100	2875K	1070	99	NFL25	10
17197	60PAR30HALSP10120V 10/CS 1/SKU	60	E26/24	*16127	120V	1100	2875K	1070	99	SP10	10
17198	60PAR30HALWFL50120V 10/CS 1/SKU	60	E26/24	*16129	120V	1100	2875K	1070	99	WFL50	10
17604	50PAR16HALGU10FLBL120V 6/CS 1/SKU	50	GU10	*59075	120V	2000	2850K	590	100	FL40	6
17605	60PAR16HALNFL30120V 15/CS 1/SKU	60	E26/24	*59030	120V	2000	2850K	650	100	NFL30	15
17606	60PAR16HALNFL30RP120V 6/CS 1/SKU	60	E26/24	*59031	120V	2000	2850K	650	100	NFL30	6
17607	60PAR16HALNSP10120V 15/CS 1/SKU	60	E26/24	*59032	120V	2000	2850K	650	100	NSP10	15
17879	36PAR36HALNSP1312V 12/CS 1/SKU	36	Screw Terminal and Spade Connector	*55090	12V	4000	3000K	500	100	NSP13	12
17880	36PAR36HALWFL3012V 12/CS 1/SKU	36	Screw Terminal and Spade Connector	*55091	12V	4000	3000K	500	100	WFL30	12
18247	39PAR30LNHALNFL25120V 10/CS 1/SKU	39	E26/24	*16154	120V	1500	2850K	550	100	NFL25	10
18248	39PAR30LNHALNFL25130V 10/CS 1/SKU	39	E26/24	*16160	130V	1500	2850K	550	100	NFL25	10
18249	39PAR30LNHALSP10120V 10/CS 1/SKU	39	E26/24	*16153	120V	1500	2850K	550	100	SP10	10
18250	39PAR30LNHALWFL50120V 10/CS 1/SKU	39	E26/24	*16156	120V	1500	2850K	550	100	WFL50	10

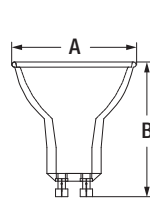
Ordering Information (continued)

Item Number	Ordering Abbreviation	Wattage	Base Type	Replaces	Input Voltage	Average Life (hrs)	CCT	Typical Lumens (lm)	CRI	Beam Angle	Case Qty.
18251	60PAR30LNHALNFL25 120V 10/CS 1/SKU	60	E26/24	*16167	120V	1100	2900K	1070	99	NFL25	10
18252	60PAR30LNHALSP10 120V 10/CS 1/SKU	60	E26/24	*16166	120V	1100	2900K	1070	99	SP10	10
18253	60PAR30LNHALWFL50 120V 10/CS 1/SKU	60	E26/24	*16168	120V	1100	2900K	1070	99	WFL50	10
18254	60PAR30LNHALWFL502 120V 10/CS 2/SKU	60	E26/24	*16169	120V	1100	2900K	1070	99	WFL50	10
18255	60PAR30LNHALWFL50CVP 6/CS 6/SKU	60	E26/24	*16173	120V	1100	2900K	1070	99	WFL50	6
*59036	75PAR16HALNSP10 120V 15/CS 1/SKU	75	E26/24	–	120V	2000	2900K	900	100	NSP10	15
*16110	39PAR20HALSP10DL 120V 10/CS 1/SKU	39	E26 Medium	50W	120V	3000	2800K	450	100	SP10	10
*16115	39PAR20HALSSP10TL 120V 10/CS 1/SKU	39	E26 Medium	50W	120V	4500	2750K	475	99	SP10	10
16116	39PAR20HALSFL30TL 120V 10/CS 1/SKU	39	E26 Medium	50W	120V	4500	2750K	475	99	FL30	10
*16126	50PAR30HALSWFL50 120V 10/CS 1/SKU	50	E26 Medium	60W	120V	1500	2875K	850	99	WFL50	10
*16152	50PAR30HALIRSNFL25TL 120V 10/CS 1/SKU	50	E26 Medium	75W	120V	4500	2800K	950	99	NFL25	10
*16170	60PAR30LNHALSWFL50 120V 6/CS 1/SKU	60	E26 Medium	75W	120V	1500	2900K	1070	99	WFL50	6
16552	39PAR30LNHALWFL50DL 120V 10/CS 1/SKU	39	E26 Medium	50W	120V	3000	2800K	520	100	WFL50	10
*16567	50PAR30LNHALIRSWFL50TL 120V 10/CS 1/SKU	50	E26 Medium	75W	120V	4500	2800K	950	99	WFL50	10
*16590	70PAR38HALIRSP10DL 120V 10/CS 1/SKU	70	E26 Medium	90W	120V	3000	2875K	1305	100	SP10	10
16591	70PAR38HALIRNFL25DL 120V 10/CS 1/SKU	70	E26 Medium	90W	120V	3000	2875K	1305	100	FL25	10
*16592	70PAR38HALIRWFL50DL 120V 10/CS 1/SKU	70	E26 Medium	90W	120V	3000	2875K	1305	100	WFL50	10
*16597	39PAR38HALSNFL25TL 120V 10/CS 1/SKU	39	E26 Medium Skirted	50W	120V	4500	2750K	530	99	NFL25	10
*16633	39PAR38HALSP10DLTWIN 20/CS 2/SKU	39	E26 Medium Skirted	45W	120V	3000	2800K	520	100	SP10	20
16660	90PAR38FLYRP 120V 6/CS 1/SKU	90	E26 Medium	–	120V	2500	Yellow	–	–	FL30	6
16661	90PAR38FLRRP 120V 6/CS 1/SKU	90	E26 Medium	–	120V	2500	Red	–	–	FL30	6
16662	90PAR38FLARP 120V 6/CS 1/SKU	90	E26 Medium	–	120V	2500	Amber	–	–	FL30	6
16663	90PAR38FLBRP 120V 6/CS 1/SKU	90	E26 Medium	–	120V	2500	Blue	–	–	FL30	6
16665	90PAR38FLGRP 120V 6/CS 1/SKU	90	E26 Medium	–	120V	2500	Green	–	–	FL30	6
16732	39PAR38HALSP10 130V 10/CS 1/SKU	39	E26 Medium Skirted	45W	130V	1500	2850K	550	100	SP10	10
*55118	50PAR36HALNSP6 12V 12/CS 1/SKU	50	Screw Terminal and Spade Connector	–	12V	4000	3000K	700	100	NSP6	12
*55157	90PAR38HALSNFL25 120V 10/CS 1/SKU	90	E26 Medium Skirted	–	120V	1500	2950K	1790	99	NFL25	10
*55158	90PAR38HALSNFL252 120V 10/CS 2/SKU	90	E26 Medium Skirted	–	120V	1500	2950K	1790	99	NFL25	10
*59020	50PAR16HALGU10FLCLAM120V 6/CS 1/SKU	50	GU10	–	120V	1000	2850K	400	100	FL40	6
*59037	60PAR16HALNSP10RP 120V 6/CS 1/SKU	60	E26 Medium	–	120V	2000	2850K	650	100	NSP10	6
*59038	60PAR16HALNFL30 130V 15/CS 1/SKU	60	E26 Medium	–	130V	2000	2850K	650	100	NFL30	15
59042	75PAR16HALNFL30 130V 15/CS 1/SKU	75	E26 Medium	–	130V	2000	2900K	900	100	NFL30	15
59044	75PAR16HALNSP10 130V 15/CS 1/SKU	75	E26 Medium	–	130V	2000	2900K	900	100	NSP10	15
*59076	35PAR16HALGU10FLBL 120V 6/CS 1/SKU	35	GU10	–	120V	3000	2750K	280	100	FL30	6
*59095	35PAR16HALFLSBL120V 6/CS 1/SKU	35	E26	–	120V	2000	2750K	300	100	FL35	6
*59094	50PAR16HALFLSBL120V 6/CS 1/SKU	50	E26	–	120V	2000	2800K	450	100	FL35	6

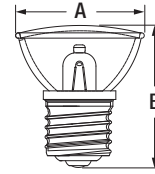
*Once inventory is depleted, NAED will be obsolete.

Physical Information

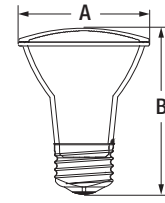
Lamp Description	(A) Diameter in (mm)	(B) Height in (mm)
PAR16	2 (50.8)	2.88 (73.03)
PAR16 GU10	2 (50.8)	2.2 (56.8)
PAR20	2.5 (63.5)	3.1 (79.4)
PAR30	3.75 (95.3)	3.6 (92.1)
PAR30LN	3.75 (95.3)	4.5 (119.06)
PAR36	4.5 (114.3)	2.75 (69.9)
PAR38	4.75 (120.7)	5.3 (134.9)



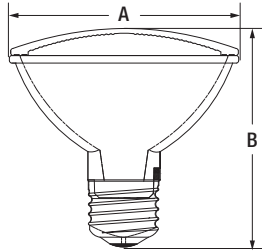
PAR16 GU10



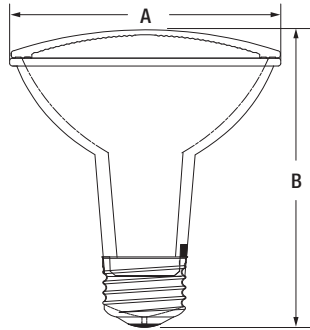
PAR16



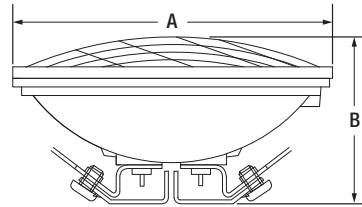
PAR20



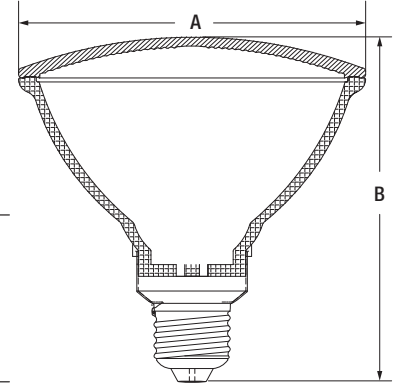
PAR30



PAR30LN



PAR36




PAR38

Additional Specifications

- Do not use lamp if outer glass is scratched, cracked or damaged in any manner.
- Use only in equipment/fixture specifying this lamp type and operate at the rated voltage and wattage.
- Bulb produces radiant heat. Do not operate in close proximity to combustibles or materials affected by heat or drying.

LEDVANCE LLC
 200 Ballardvale Street
 Wilmington, MA 01887 USA
 Phone 1-800-LIGHTBULB (1-800-544-4828)
 www.sylvania.com

SYLVANIA and LEDVANCE are registered trademarks.
 All other trademarks are those of their respective owners.
 Licensee of product trademark SYLVANIA in general lighting.
 Specifications subject to change without notice.

 /sylvania  /sylvania

Name: _____
 Email: _____
 Phone: _____

