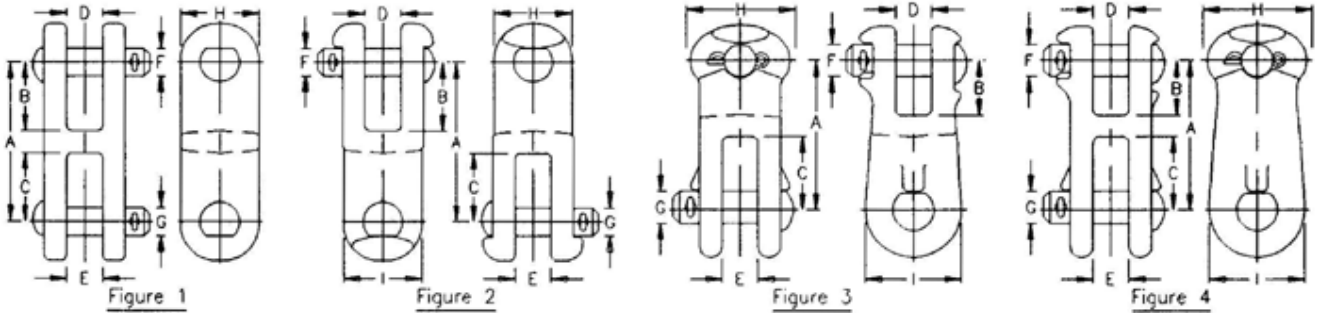




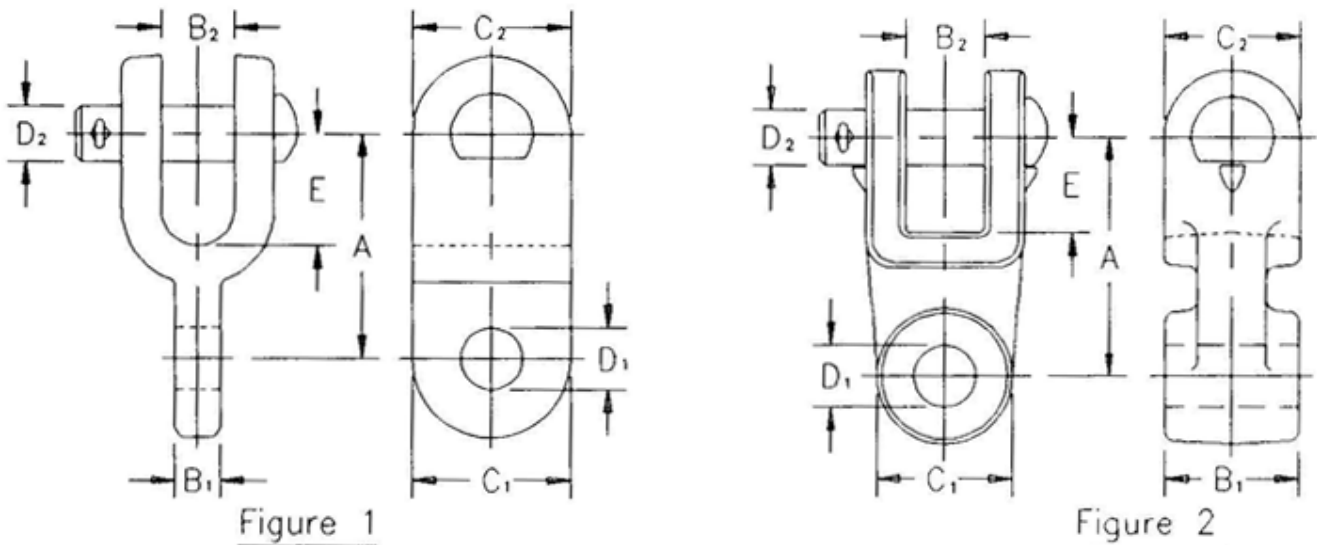
T&D Fittings/ Clevis Connection

Clevis Clevis



CATALOG NUMBER	FIGURE NUMBER	DIMENSIONS (INCHES)									ULTIMATE LENGTH (LBS.)	WEIGHT PER 100 PCS. (LBS.)
		A	B	C	D	E	F	G	H	I		
3001	1	3 1/2	1 9/16	1 9/16	7/8	7/8	5/8	5/8	1 3/4	-	30,000	300
3060	2	3 1/2	1 9/16	1 9/16	7/8	7/8	5/8	5/8	1 3/4	1 3/4	30,000	300
3062	2	3 7/8	1 1/2	1 7/8	1	1 3/16	7/8	7/8	2 5/8	2 5/8	60,000	570
3063	3	3 1/2	1 1/4	1 3/4	13/16	1	3/4	3/4	2 1/4	2 1/4	40,000	320
3064	3	4	1 3/8	2	1	1	7/8	7/8	2 1/2	2 1/2	50,000	510
3014	4	3 1/16	1	1 3/8	5/8	13/16	5/8	3/4	2	2	30,000	240
3002	4	3 1/16	1	1 5/8	5/8	1 1/4	5/8	3/4	2	2	30,000	220
3015	4	3 1/2	1 1/4	1 3/4	15/16	1 1/8	3/4	7/8	2 1/4	2 1/2	40,000	388
3012	4	3 1/2	1 1/4	1 3/4	15/16	13/16	3/4	3/4	2 1/4	2 1/4	40,000	312
3013	4	4	1 3/8	2	1 1/32	1 1/32	7/8	7/8	2 3/8	2 3/8	50,000	420
3003	4	4 1/16	1	2 3/8	5/8	2	5/8	3/4	2	1 3/4	30,000	450
3005	4	4 3/8	1 1/4	2 3/8	7/8	2	3/4	7/8	2 1/4	2	40,000	500
3008	4	4 3/8	1 1/4	2 3/8	1	2	7/8	7/8	2 1/4	2	50,000	500

Clevis Eyes



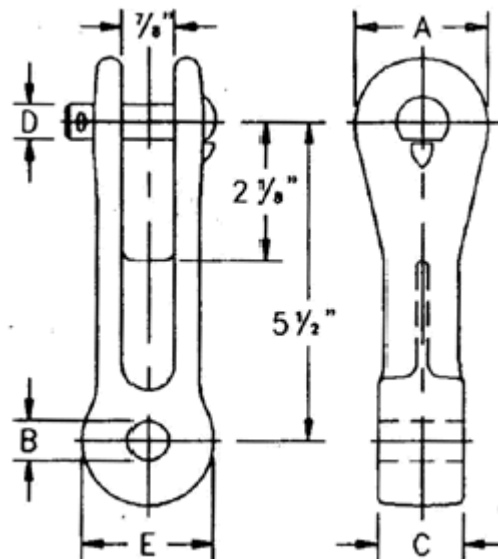


CATALOG NUMBER	FIGURE NUMBER	DIMENSIONS (INCHES)								ULTIMATE STRENGTH (LBS)	WEIGHT PER 100 PCS (LBS)
		A	B1	C1	D1	B2	C2	D2	E		
3310	1	2 1/2	1/2	1 3/4	11/16	13/16	1 3/4	5/8	1 1/4	18,000	142
3111	1	2 1/2	5/8	1 3/4	11/16	13/16	1 3/4	5/8	1 1/4	25,000	130
3045	1	2 1/2	1 3/8	1 3/4	11/16	13/16	1 3/4	5/8	1 1/4	30,000	215
3113*	1	2 1/2	3/4 to 1 3/4	1 3/4	11/16	13/16	1 3/4	5/8	1 1/4	30,000	153-240
3051	1	4 1/4	5/8	2	11/16	13/16	1 3/4	5/8	1 1/4	25,000	197
3121*●	2	2 1/2	7/8 to 1 5/8	1 3/4	11/16 to 13/16	13/16	1 3/4	5/8	1 3/4	30,000	180-260
3117●	2	2 1/2	2 1/8	2	13/16	7/8	2	5/8	1 3/4	30,000	197
3118●	2	2 9/16	1/2	1 3/4	11/16	7/8	1 1/2	5/8	1 1/16	18,000	130
3109●	2	2 5/8	1 3/16	1 1/2	11/16	7/8	1 3/4	5/8	1 3/4	30,000	221
3101●	2	3 1/8	1/2	2	11/16	13/16	2	5/8	2	30,000	180
3102●	2	3 1/8	5/8	2	11/16	13/16	2	5/8	1 13/16	30,000	180
3122●	2	3 1/8	13/16	2 3/16	13/16	1 1/16	2	7/8	1 3/4	40,000	325

* Specify desired "B1" and "D1" dimensions.

! With anti-rotation hump for clevis pin.

Long Clevis - Eye Connection



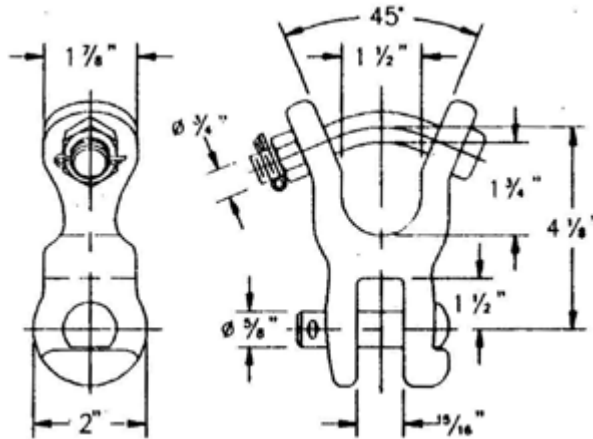
CATALOG NUMBER	DIMENSIONS (INCHES)					ULTIMATE STRENGTH (LBS)	WEIGHT PER 100 PCS (LBS)
	A	B	C	D	E		
3052	2 1/4	11/16	3/4	5/8	2 1/4	30,000	360



3053	2 1/4	11/16	1	5/8	2 1/4	30,000	370
3055	2 1/4	13/16	1 7/16	3/4	2 1/4	40,000	470

Y-Clevis Clevis (Catalog No. 3191)

30,000 Pounds - Weight per 100 Pcs., 350 Pounds



Y-Clevis Eyes

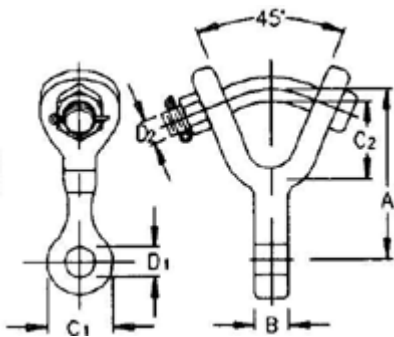


Figure 1

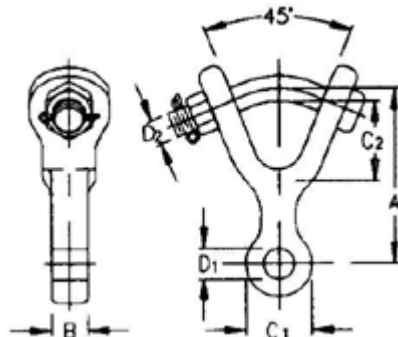


Figure 2

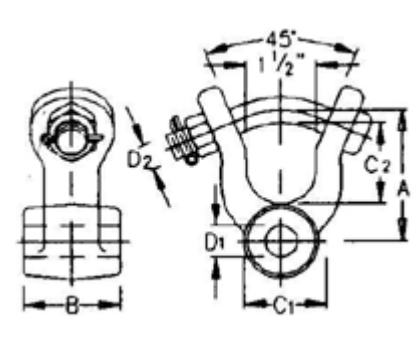


Figure 3

CATALOG NUMBER	FIGURE NUMBER	DIMENSIONS (INCHES)						ULTIMATE STRENGTH (LBS)	WEIGHT PER 100 PCS. (LBS)
		A	B	C1	D1	C2	D2		
3135	1	3 7/8	1/2	1 9/16	11/16	1 1/2	3/4	30,000	210
3136	1	3 7/8	5/8	1 9/16	11/16	1 1/2	3/4	30,000	230
3150	2	3 7/8	1/2	1 9/16	11/16	1 1/2	3/4	30,000	210
3154	2	3 7/8	5/8	1 9/16	11/16	1 1/2	3/4	30,000	230
3164	3	2 3/4	1 1/4	1 5/8	11/16	1 3/4	3/4	36,000	234
3127	3	2 3/4	1 3/8	1 9/16	11/16	1 9/16	3/4	26,000	194
3125	3	2 3/4	1 3/8	1 5/8	13/16	1 9/16	3/4	26,000	193
3165	3	2 3/4	1 3/8	1 5/8	11/16	1 3/4	3/4	36,000	240
3131	3	2 3/4	1 3/4	1 1/2	11/16	1 9/16	3/4	25,000	186
3166	3	2 3/4	1 3/4	1 5/8	11/16	1 3/4	3/4	36,000	260
3161	3	2 3/4	1 15/16	1 5/8	11/16	1 3/4	3/4	36,000	269
3170	3	2 3/4	1 15/16	1 5/8	13/16	1 3/4	3/4	36,000	268
3167	3	2 3/4	2 1/16	1 5/8	11/16	1 3/4	3/4	36,000	275



3171	3	2 3/4	2 1/16	1 5/8	13/16	1 3/4	3/4	36,000	274
3173	3	2 3/4	2 7/16	1 5/8	13/16	1 3/4	3/4	36,000	294
3168	3	2 3/4	2 9/16	1 5/8	13/16	1 3/4	3/4	36,000	300
3169	3	2 3/4	2 7/8	1 5/8	13/16	1 3/4	3/4	36,000	316
3126	3	2 3/4	3 1/8	1 5/8	13/16	1 5/8	3/4	30,000	240
3159	3	2 13/16	1 1/15	1 5/8	13/16	1 1/2	3/4	30,000	243
3147	3	2 13/16	2 1/8	1 5/8	13/16	1 5/8	3/4	30,000	225
3130	3	2 7/8	2 1/8	1 5/8	13/16	1 5/8	3/4	36,000	262
3132	3	3 1/8	2 1/8	1 7/8	13/16	1 15/16	3/4	30,000	370
3142	3	3 1/8	3 1/4	1 7/8	13/16	1 15/16	3/4	36,000	370
3174	3	3 5/16	2 9/16	1 7/8	13/16	2	7/8	50,000	480
3158	3	3 5/16	2 7/8	1 7/8	13/16	2	7/8	50,000	500
3158A	3	3 3/8	3 1/4	1 5/8	1 1/16	2	7/8	50,000	470