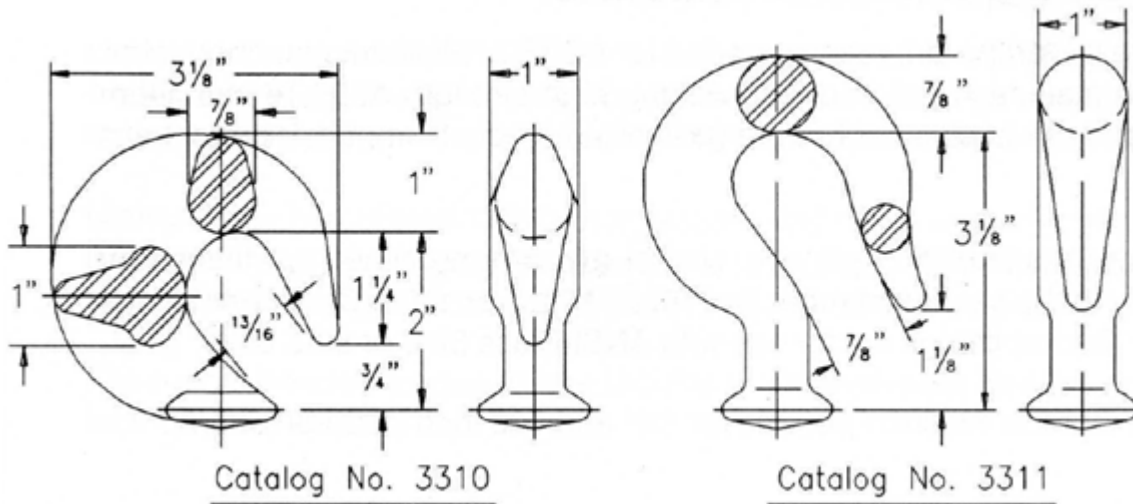


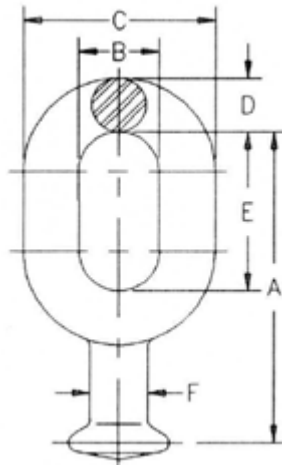
T&D Fittings/ Ball Connections

Ball Hooks



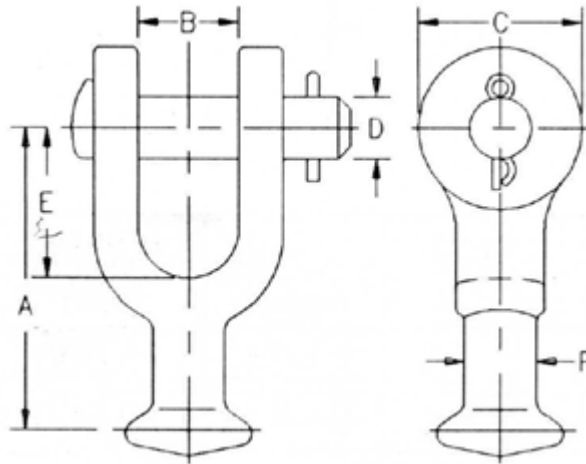
Ball Hooks			
CATALOG NUMBER	ANSI CLASS	ULTIMATE STRENGTH (LBS)	WEIGHT PER 100 PCS. (LBS)
3310	52 - 3.52 - 5	30,000	100
3311	52 - 3.52 - 5	30,000	125

Ball Eyes



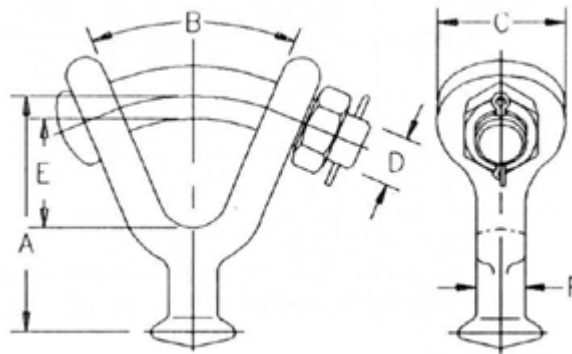
Ball Eyes									
CATALOG NUMBER	ANSI CLASS	DIMENSIONS (INCHES)						ULTIMATE STRENGTH (LBS)	WEIGHT PER 100 PCS. (LBS)
		A	B	C	D	E	F		
3302	52 - 3.52 - 5	3 11/16	1	2 3/8	11/16	2	23/32	30,000	105
3303	52 - 8.52 - 11	4 1/2	1 1/4	2 3/4	3/4	2 1/2	7/8	50,000	105

Ball Clevises



Ball Clevises									
CATALOG	ANSI	DIMENSIONS (INCHES)						ULTIMATE	WEIGHT
NUMBER	CLASS	A	B	C	D	E	F	STRENGTH (LBS)	PER 100 PCS. (LBS)
3075	52 - 3.52 - 5	3	15/16	1 5/8	5/8	1 1/2	23/32	30,000	102
3078	52 - 3.52 - 5	3 15/16	13/16	1 1/2	5/8	2 1/2	23/32	30,000	120
3079	52 - 8.52 - 11	4 3/16	15/16	2 3/16	3/4	1 15/16	7/8	50,000	220

Ball Y-Clevises



Ball Y-Clevises									
CATALOG	ANSI	DIMENSIONS (INCHES)						ULTIMATE	WEIGHT
NUMBER	CLASS	A	B	C	D	E	F	STRENGTH (LBS)	PER 100 PCS. (LBS)
3089	52 - 3.,52 - 5	3 7/16	45°	1 3/4	3/4	1 1/2	23/32	30,000	180
3094	52 - 8.52 - 11	4 1/4	45°	2 3/16	7/8	1 9/16	7/8	50,000	262