



**Product Datasheet**

**CHANCE**

**C2060299 -- BRACKET, CUTOUT/ARR "D" POLE**

□

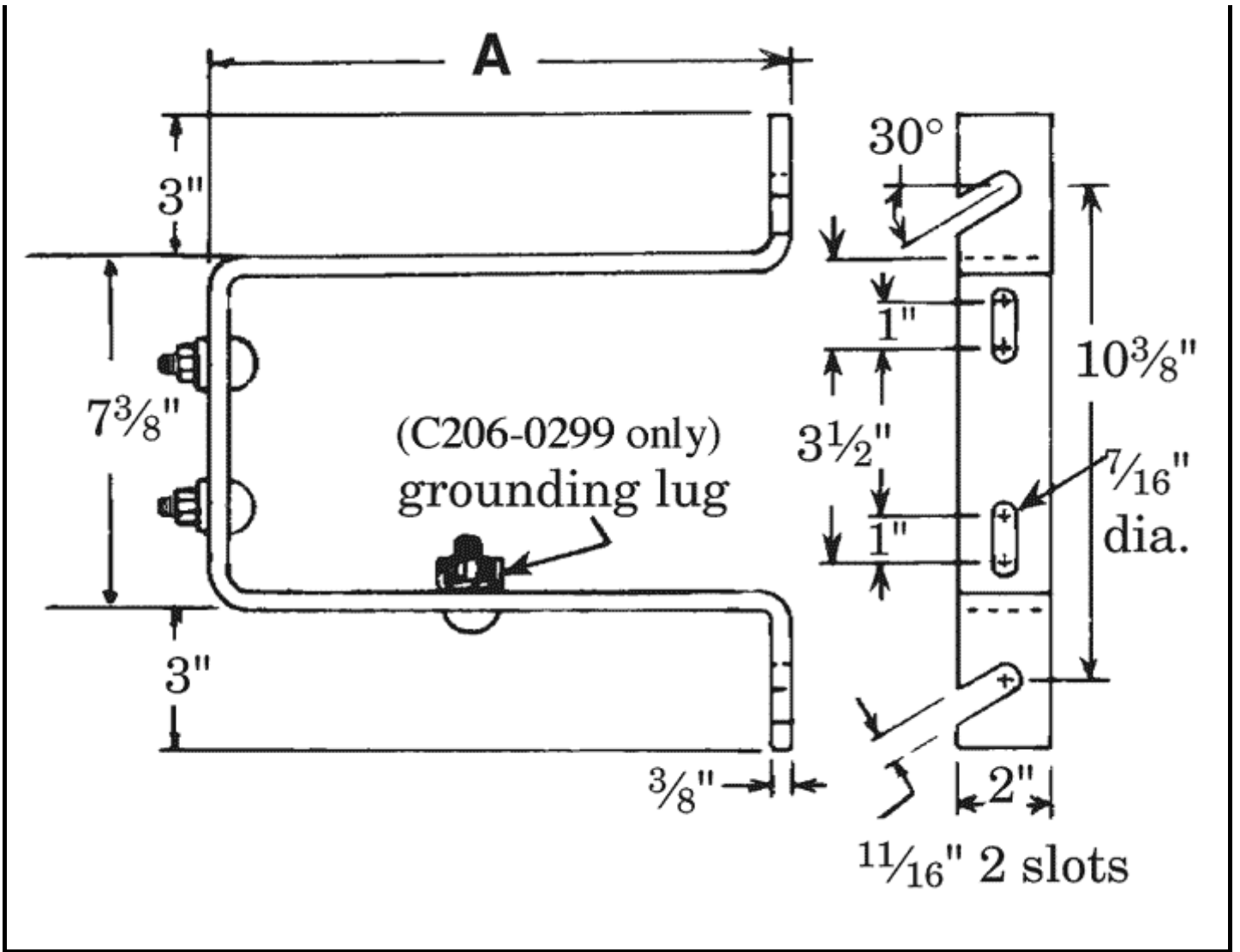
Bracket, Cutout, Arrester or Pothead, Type D, Pole Mounted. Includes two 3/8" x 1 1/2" carriage bolts for mounting L portion of NEMA apparatus, crossarm bracket. Ground lug connector is included.

**Product Specifications**

<b>Product Categories</b>	Equipment Mounting Brackets
<b>Product Group</b>	Bracket, Cutout, Arrester or Pothead
<b>Product Type</b>	Pole Mounting
<b>Product Finish</b>	Galvanized, ASTM A-153
<b>Material</b>	Steel
<b>Return Type</b>	Standard
<b>UPC Code</b>	096359014218
<b>Standard Package</b>	1
<b>Unit of Measure</b>	EA
<b>Min Order Qty</b>	1
<b>Pallet Quantity</b>	90
<b>Weight / Ea.</b>	7.52 lbs
<b>Webpage</b>	Click <a href="#">HERE</a> to view webpage
<b>Drawing</b>	Click <a href="#">HERE</a> to view drawing.
<b>Previous Cooper Power Systems No.</b>	DC149B2 (Functional Equivalent)

**Compressed Product Number**

C2060299



Catalog Home



[Warranty Info](#) | [Trademarks](#) | [Terms of Use](#)

All contents Copyright © 2007 Hubbell Power Systems, Inc. All rights reserved.

NOTE: Because Hubbell has a policy of continuous product improvement, we reserve the right to change design and specifications without notice.