



**Product Datasheet**



**ANDERSON FARGO**

**VL4D574H -- Terminal, Bronze Bolted**



Terminal, Bronze Bolted, One or Two Cables to Flat, Eyebolt style, cable range 0.258-0.681 Pad: 2 hole, 1.63 in

**Product Specifications**

<p><b>Family Image</b></p>	 <p>Terminals</p>
<p><b>Terminals</b></p>	 <p>VL4D Series One or Two Cables to Flat Bronze Eyebolt Terminals</p>
<p><b>PDF Catalog Page</b></p>	<p><a href="#">Click HERE to view the web page.</a></p>
<p><b>Pad Holes</b></p>	<p>2</p>
<p><b>Pad Width</b></p>	<p>1.63 in</p>
<p><b>Eyebolt Cable Connections</b></p>	<p>1 or 2</p>
<p><b>Clamping Hardware Material</b></p>	<p>Stainless Steel</p>
<p><b>Dimension A</b></p>	<p>3.63 in (92.1 mm)</p>
<p><b>Dimension B</b></p>	<p>1.75 in (44.5 mm)</p>
<p><b>Dimension G</b></p>	<p>0.56 in (14.3 mm)</p>
<p><b>Dimension J</b></p>	<p>0.50 in (12.7 mm)</p>

<b>Dimension K</b>	0.63 in (15.9 mm)
<b>Dimension L</b>	7.50 in (190.5 mm)
<b>Dimension T</b>	0.25 in (6.35 mm)
<b>Dimension W</b>	1.63 in (41.3 mm)
<b>Minimum Conductor</b>	0.258
<b>Maximum Conductor</b>	0.681
<b>Material Type</b>	Non-Standard
<b>UPC Code</b>	09635933947
<b>Standard Package</b>	24
<b>Standard Package Unit</b>	Each
<b>Min Order Qty</b>	1
<b>Weight / Ea.</b>	1.96 lbs

### Compressed Product Number

VL4D574H

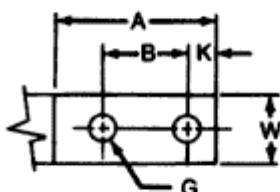
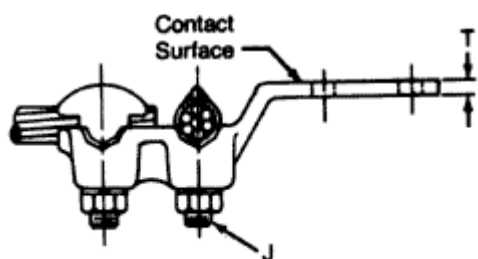


FIGURE 1

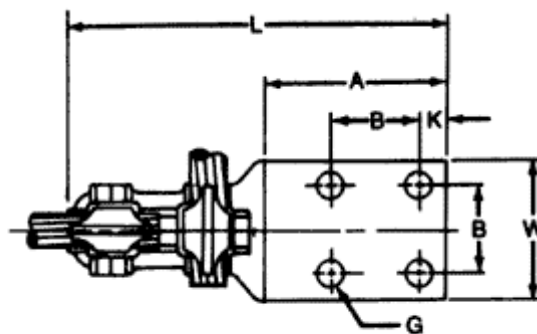


FIGURE 2

[Catalog Home](#)



[Warranty Info](#) | [Trademarks](#) | [Terms of Use](#)

All contents Copyright © 2007 Hubbell Power Systems, Inc. All rights reserved.

NOTE: Because Hubbell has a policy of continuous product improvement, we reserve the right to change design and specifications without notice.