



**Product Datasheet**

**ANDERSON FARGO**

**WTTFR1024D90 -- Tee, Aluminum Weldment**



Tee, Aluminum Weldment, Tube to Flat, 1 to 2-1/2 IPS/EHIPS Tube to 4 in, 4 hole 90 degree flat

**Product Specifications**

**Family Image**



Tees

**Tees**

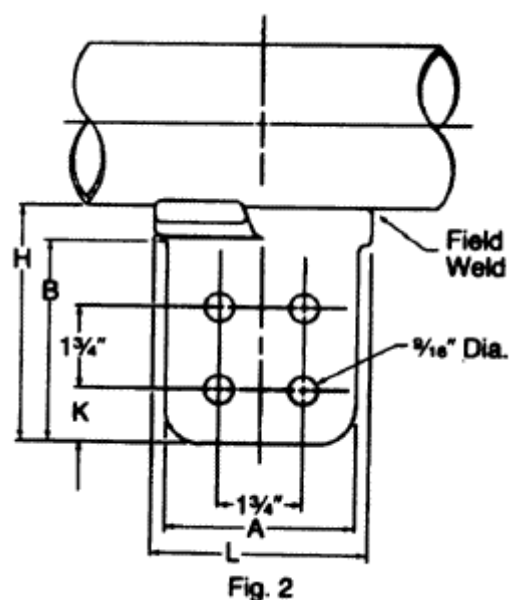
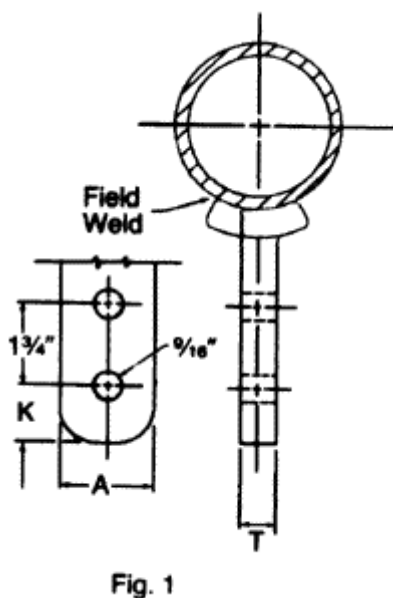
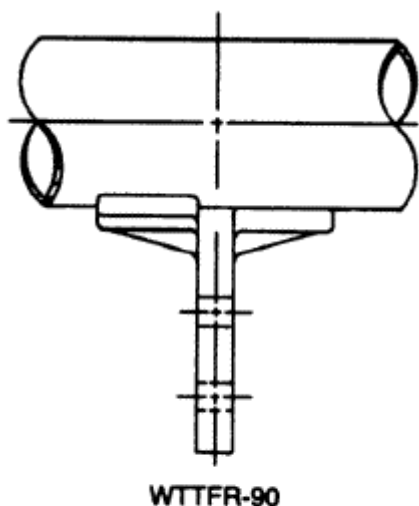


**WTTFR Series**  
Tube to Flat  
Aluminum Weldment Tees

PDF Catalog Page	<a href="#">Click HERE to view the web page.</a>
Flat Bar Tap Width	4 in
Pad Holes	4
Pad Width	4
Pad Plane	90 degrees to bus tube
Main Conductor Minimum Diameter	1.315
Main Conductor Maximum Diameter	1.9
Material Type	Non-Standard
UPC Code	09635934389
Standard Package	1
Standard Package Unit	Each
Min Order Qty	1
Weight / Ea.	1.176 lbs

### Compressed Product Number

WTTFR1024D90



[Catalog Home](#)



[Warranty Info](#) | [Trademarks](#) | [Terms of Use](#)

All contents Copyright © 2007 Hubbell Power Systems, Inc. All rights reserved.

NOTE: Because Hubbell has a policy of continuous product improvement, we reserve the right to change design and specifications without notice.