




# EDS Cast Device Mounting Boxes and Dimensions

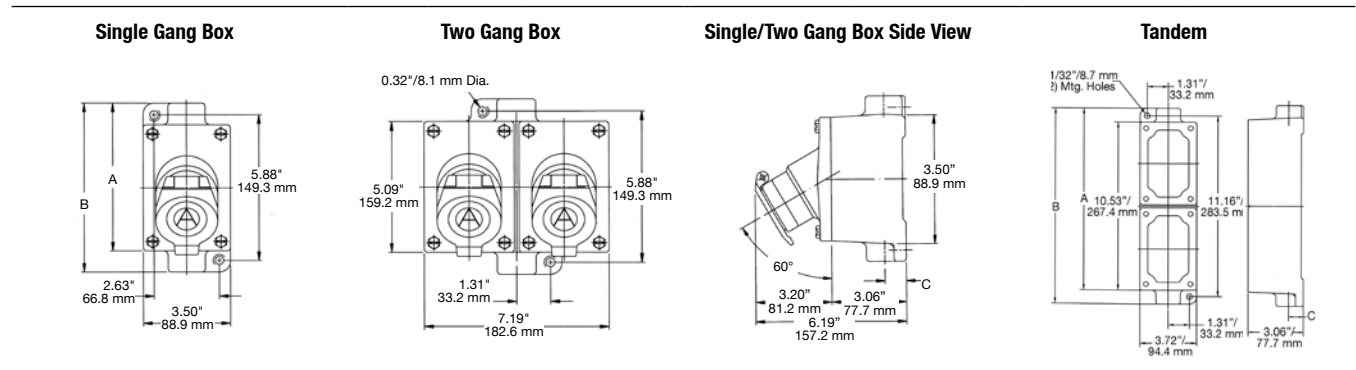
## For U-Line® Contender® 20 Amp Receptacles

	Type	Hub Size (Inches)	Dimensions in Inches/Millimeters			Catalog Number	
			A	B	C	Malleable Iron	Aluminum
<b>Single Gang</b> 	Dead-End	1/2	6.06/153.9	6.81/172.9	0.75/19.0	<b>EDS171</b>	<b>EDS171-SA</b>
		3/4	6.06/153.9	6.81/172.9	0.88/22.3	<b>EDS271</b>	<b>EDS271-SA</b>
		1	6.17/156.7	7.03/178.5	1.00/25.4	<b>EDS371</b>	<b>EDS371-SA</b>
	Feed-Thru	1/2	6.06/153.9	6.81/172.9	0.75/19.0	<b>EDSC171</b>	<b>EDSC171-SA</b>
		3/4	6.06/153.9	6.81/172.9	0.88/22.3	<b>EDSC271</b>	<b>EDSC271-SA</b>
		1	6.17/156.7	7.03/178.5	1.00/25.4	<b>EDSC371</b>	<b>EDSC371-SA</b>
<b>Two Gang</b> 	Dead-End	1/2	6.06/153.9	6.81/172.9	0.88/22.3	<b>EDS172</b>	<b>EDS172-SA</b>
		3/4	6.06/153.9	6.81/172.9	0.88/22.3	<b>EDS272</b>	<b>EDS272-SA</b>
		1	6.17/156.7	7.03/178.5	1.00/25.4	<b>EDS372</b>	<b>EDS372-SA</b>
	Feed-Thru	1/2	6.06/153.9	6.81/172.9	0.88/22.3	<b>EDSC172</b>	<b>EDSC172-SA</b>
		3/4	6.06/153.9	6.81/172.9	0.88/22.3	<b>EDSC272</b>	<b>EDSC272-SA</b>
		1	6.17/156.7	7.03/178.5	1.00/25.4	<b>EDSC372</b>	<b>EDSC372-SA</b>
<b>Tandem †</b> 	Dead-End	1/2	11.31/287.2	12.09/307.0	0.88/22.3	<b>EDS147</b>	<b>EDS147-SA</b>
		3/4	11.31/287.2	12.09/307.0	0.88/22.3	<b>EDS247</b>	<b>EDS247-SA</b>
		1	11.44/290.5	12.31/312.6	1.00/25.4	<b>EDS347</b>	<b>EDS347-SA</b>
	Feed-Thru	1/2	11.31/287.2	12.09/307.0	0.88/22.3	<b>EDSC147</b>	<b>EDSC147-SA</b>
		3/4	11.31/287.2	12.09/307.0	0.88/22.3	<b>EDSC247</b>	<b>EDSC247-SA</b>
		1	11.44/290.5	12.31/312.6	1.00/25.4	<b>EDSC347</b>	<b>EDSC347-SA</b>

Plugs and Receptacles

PLUGS AND RECEPTACLES: HAZARDOUS LOCATION

### Dimensions



† For tandem bodies, external seals must be installed within 5 feet/1.52 meters of each conduit entrance for Class I, Groups C and D.