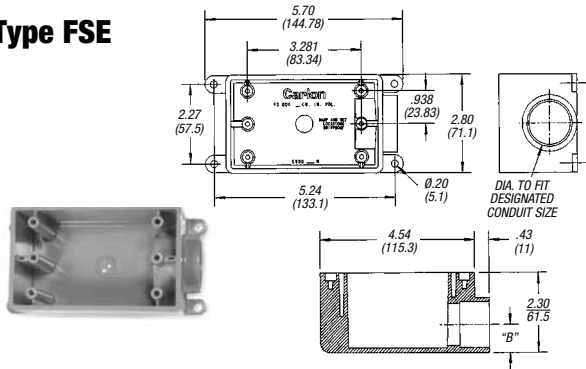


Switch and Junction Boxes

Single-Gang FS Boxes

Type FSE

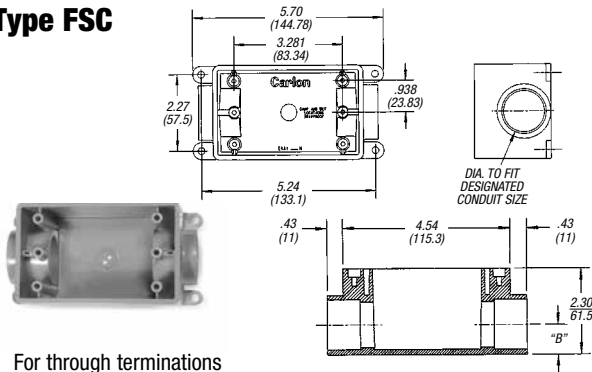


- For dead-end terminations
- All sizes take standard covers and accessories or devices
- Integral mounting feet provide easy mounting

CAT. NO.	SIZE (IN.)	VOL. CU. IN.	STD. CTN.
E980DFN	½	19	10
☛ C980DFN-CTN	½	18	12
E980EFN	¾	19	10
☛ C980EFN-CTN	¾	18	12
E980FFN	1	19	18
☛ C980FFN-CTN	1	18	8
E980FFN-CAR	1	19	10

☛ Canada Only

Type FSC



- For through terminations
- All sizes take standard covers and accessories or devices
- Integral mounting feet provide easy mounting

CAT. NO.	SIZE (IN.)	VOL. CU. IN.	STD. CTN.
E981DFN	½	19	15
☛ C981DFN-CTN	½	18	12
E981EFN	¾	19	15
☛ C981EFN-CTN	¾	18	12
E981FFN	1	19	18
E981FFN-CAR	1	19	10
☛ C981FFN-CTN	1	18	8

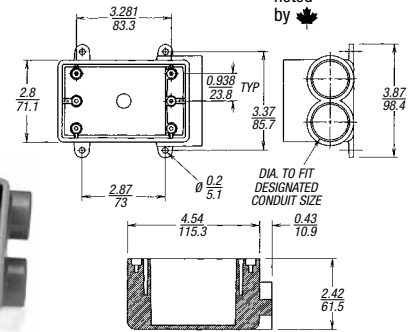
☛ Canada Only



LR31146
Where noted by ☛

LISTED
E11461

Type FSS

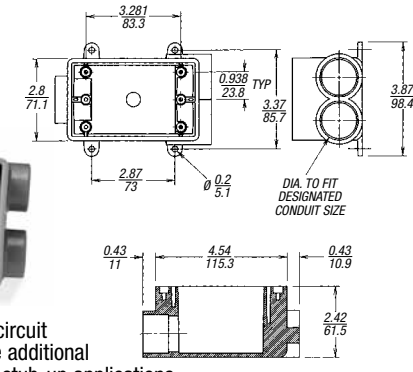


- For multiple dead-end circuit terminations or where additional support is required in stub-up applications
- All sizes take standard covers and accessories or devices
- Integral mounting feet provide easy mounting

CAT. NO.	SIZE (IN.)	VOL. CU. IN.	STD. CTN.
E982DFN	½	19	10
☛ C982DFN-CTN	½	18	12
E982EFN	¾	19	10
☛ C982EFN-CTN	¾	18	12
E982FFN	1	19	10
☛ C982FFN-CTN	1	18	8

☛ Canada Only

Type FSCC



- For multiple through-circuit terminations or where additional support is required in stub-up applications
- All sizes take standard covers and accessories or devices
- Integral mounting feet provide easy mounting

CAT. NO.	SIZE (IN.)	VOL. CU. IN.	STD. CTN.
E979DFN-CAR	½	19	10
☛ C979DFN	½	18	15
E979EFN-CAR	¾	19	10
☛ C979EFN	¾	18	15
E979FFN	1	19	15
☛ C979FFN	1	18	15

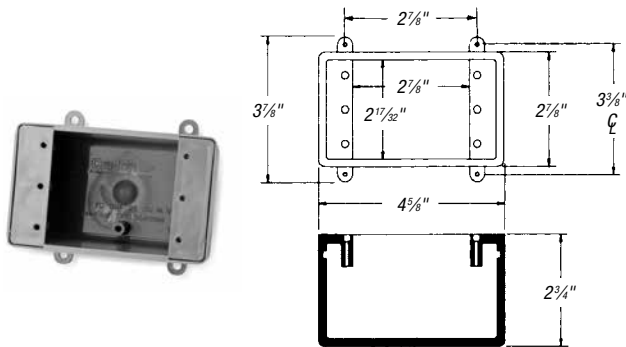
☛ Canada Only

Switch and Junction Boxes

Single-Gang FD Deep Device Boxes



Type FD

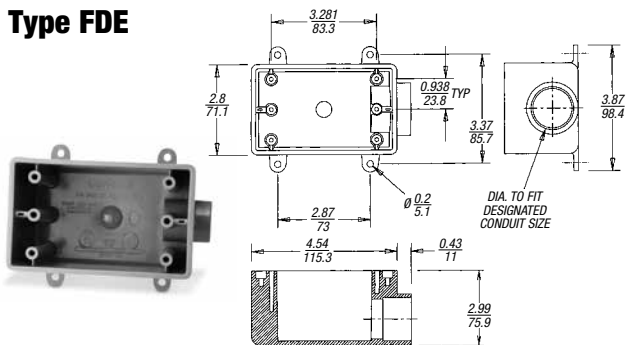


- For terminations where hub requirements vary according to application — hubs easily made with flared wood bit or hole saw
- All sizes take standard covers and accessories or devices
- Integral mounting feet provide easy mounting

CAT. NO.	SIZE (IN.)	VOL. CU. IN.	STD. CTN.
E9801	N/A	25	10
☛ CE9801-CTN	N/A	25	10
☛ C9801-347	N/A	25	10

☛ Canada Only

Type FDE

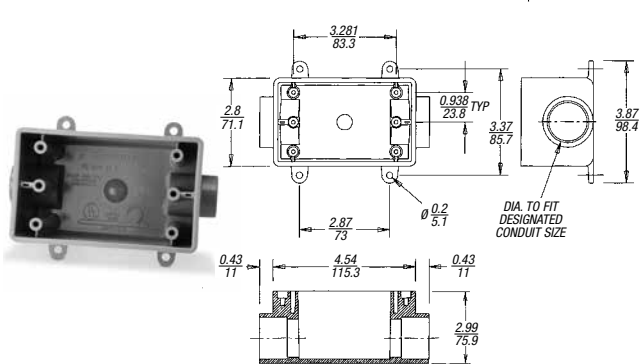


- For dead-end terminations where large devices or additional wiring capacity is required
- All sizes take standard covers and accessories or devices
- Integral mounting feet provide easy mounting

CAT. NO.	SIZE (IN.)	VOL. CU. IN.	STD. CTN.
E9801DN	1/2	25	10
☛ C9801DN	1/2	25	10
E9801EN	3/4	25	10
☛ C9801EN	3/4	25	10
E9801FN	1	25	10
☛ C9801FN	1	25	10

☛ Canada Only

Type FDC



- For through terminations where large devices or additional wiring capacity is required
- All sizes take standard covers and accessories or devices
- Integral mounting feet provide easy mounting

CAT. NO.	SIZE (IN.)	VOL. CU. IN.	STD. CTN.
E9811DN	1/2	25	10
☛ C9811DN	1/2	25	10
E9811EN	3/4	25	10
☛ C9811EN	3/4	25	10
E9811FN	1	25	10
☛ C9811FN	1	25	10

☛ Canada Only

Conduit & Fittings — Carlon® PVC Elbows, Conduit & Fittings

Switch and Junction Boxes



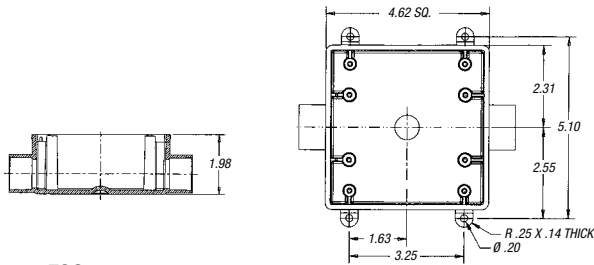
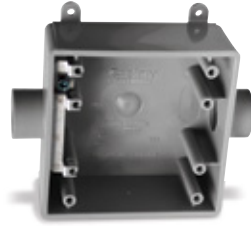
LR31146
Where noted by



E11461

Two-Gang FS Boxes

- For through terminations where two devices or additional wiring capacity is required
- All sizes take standard covers and accessories or devices
- Integral mounting feet provide easy mounting

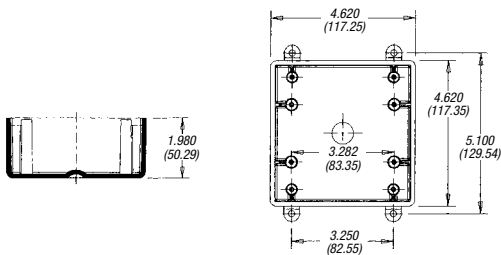
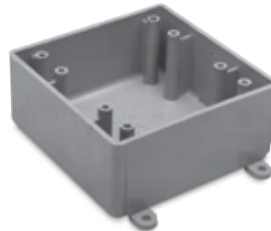


Type 2FSC

CAT. NO.	SIZE (IN.)	VOL. CU. IN.	STD. CTN.
E9812D	½	32	10
☛ CE9812D-CTN	½	32	10
E9812E	¾	32	10
☛ CE9812E-CTN	¾	32	10
E9812F	1	32	10
☛ C9812F	1	32	10

☛ Canada Only

- For terminations where hub requirements vary according to application — hubs easily made with flared wood bit or hole saw
- All sizes take standard covers and accessories or devices
- Integral mounting feet provide easy mounting

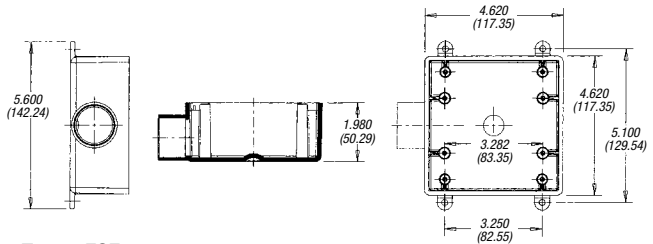


Type FS

CAT. NO.	SIZE (IN.)	VOL. CU. IN.	STD. CTN.
E9802	N/A	32	10
☛ CE9802	N/A	32	10

☛ Canada Only

- For dead-end terminations where two devices or additional wiring capacity is required
- All sizes take standard covers and accessories or devices
- Integral mounting feet provide easy mounting



Type 2FSE

CAT. NO.	SIZE (IN.)	VOL. CU. IN.	STD. CTN.
E9802D	½	32	10
☛ CE9802D-CTN	½	32	10
E9802E	¾	32	10
☛ CE9802E-CTN	¾	32	10
E9802F	1	32	10
C9802F	1	32	1

☛ Canada Only

Blank Covers

- Fits Carlon® single-gang FS boxes
- Supplied with stainless steel mounting screws and gasket



Single-Gang

CAT. NO.	COLOR	STD. CTN	STD. WT. (LBS)
E980CN-CAR	Gray	12	1.60
E980CM-CAR	White	12	1.60

- Fits Carlon® two-gang FS boxes, other non-metallic and metallic FS boxes
- Supplied with stainless steel mounting screws and gasket



Two-Gang

CAT. NO.	COLOR	STD. CTN	STD. WT. (LBS)
E9802CN-CAR	Gray	10	2.17