



**POWER
SYSTEMS, INC.**

**Interactive
eCatalog**

In the world of power transmission and distribution, look to Hubbell.

[Catalog Home](#)

Product Datasheet

ANDERSON FARGO

BDE86S -- Deadend



Deadend

Product Specifications



Bolted Deadends
 Aluminum & Bronze
 Straight Line
 Aluminum & Copper
 Conductor



BDE Series
 Straight Line Dead End
 Bolted, Bronze
 Copper & Copperweld®
 Conductor

Category Image

Series Image (Bolted)

PDF Catalog Page

[Click HERE to view the web page.](#)

Fitting Type

Socket

Style

BDE - Deadend, Straight line

Type

Bolted

Material

Bronze

Fitting Catalog No.

SA-06

Ultimate Body Strength

8,000 lb (3,629 kg)

U-Bolts

2

Bolt Size

.50 in (12.70 mm)

Dimension K

.94 in (23.81 mm)

Dimension L

11 in (279.40 mm)

Dimension W

.94 in (23.88 mm)

Conductor Range Minimum - Maximum

Cu 4/0 str (7) Thru Cu 550 kcmil (61)

Minimum Conductor Diameter

0.52

Maximum Conductor Diameter

0.86

Weight / Ea.

8.13 lbs

Standard Package

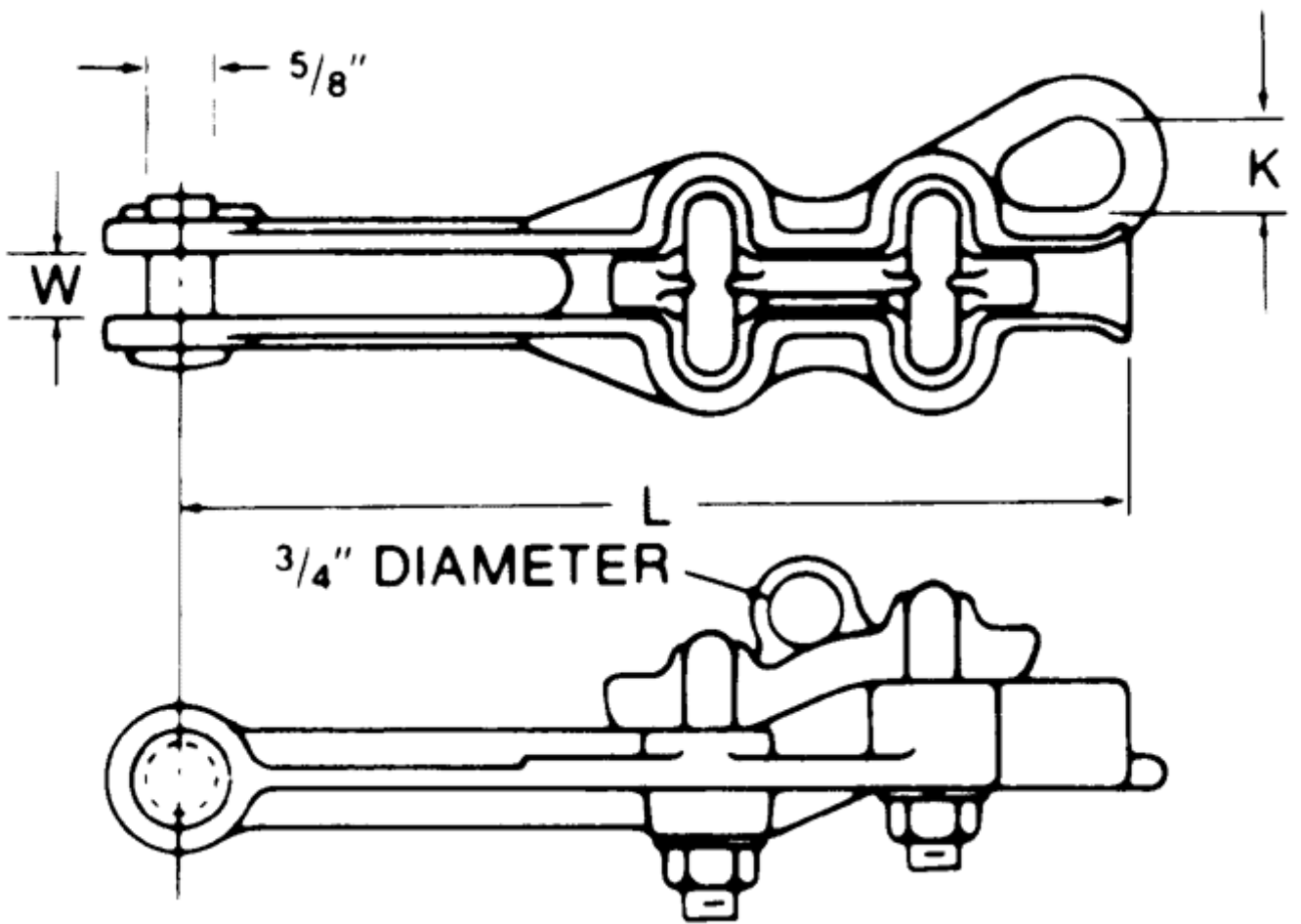
1

UPC Code

09635929169

Compressed Product Number

BDE86S



Dimensions

[Catalog Home](#)



[Warranty Info](#) | [Trademarks](#) | [Terms of Use](#)

All contents Copyright © 2007 Hubbell Power Systems, Inc. All rights reserved.

NOTE: Because Hubbell has a policy of continuous product improvement, we reserve the right to change design and specifications without notice.