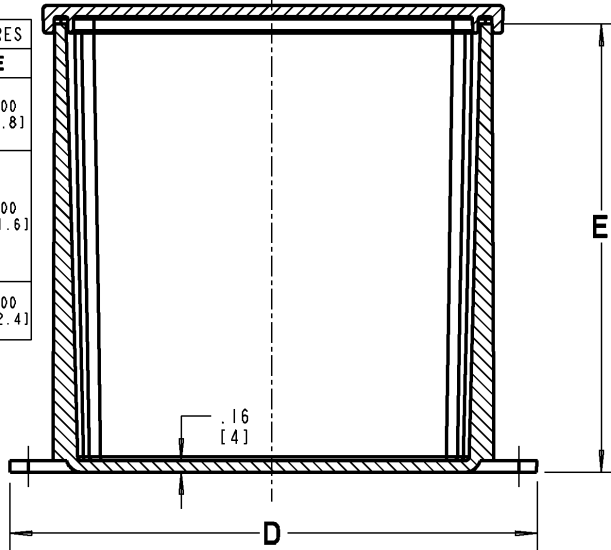
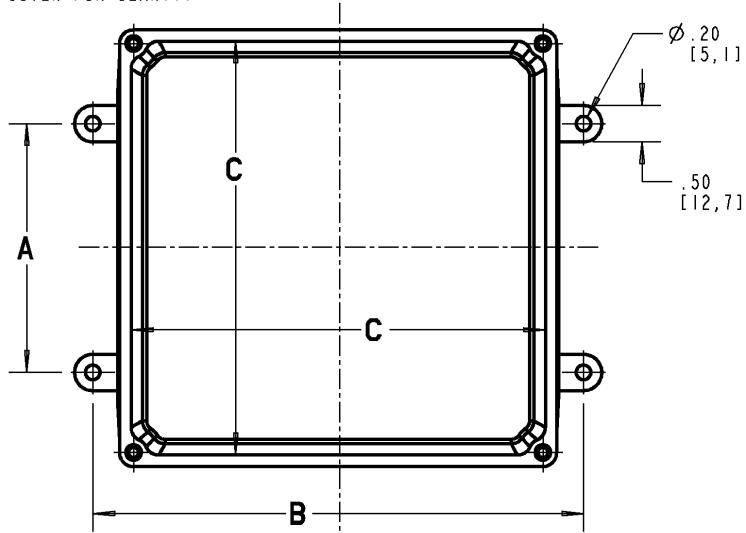


Carlton

VIEW SHOWN WITHOUT COVER FOR CLARITY



SIZE	MOLDED NON-METALLIC ENCLOSURES				
	A	B	C	D	E
E989PPJ E989PPJ-CAR E989PPJW (5X5X2)	3.12 [79.2]	5.62 [142.7]	4.68 [118.9]	6.12 [155.4]	2.00 [50.8]
E987R E987R-AS E987RB E987R-CAR E987RR E987RRCL E987RRL (6X6X4)	3.42 [86.8]	6.74 [171.2]	5.68 [144.3]	7.24 [183.8]	4.00 [101.6]
E989RRR E989RRRCL (6X6X6)	3.42 [86.8]	6.74 [171.2]	5.68 [144.3]	7.24 [183.8]	6.00 [152.4]

- NOTES:
 1. MATERIAL: POLYCARBONATE
 2. NEMA TYPE: 4/4X, 6P

GENERAL NOTES		Thomas & Betts www.tnb.com			
1. ALL DIMENSIONS ARE FOR REFERENCE ONLY. 2. DIMENSIONS IN BRACKETS [] ARE IN METRIC UNITS.					
REVISIONS		DESCRIPTION: MOLDED NON-METALLIC ENCLOSURES			
** SEE ERN (****) FOR APPROVAL SIGNATURES & RELEASE DATE. PROJECT NO: ****	ORIGINAL PROJECT NO / (ERN NO)	SHEET NO:	REV. NO:	DRAWING NO:	
	/ ()	1 OF 1	E	WSD-AC01978	

THIS DRAWING IS INTENDED FOR DESCRIPTIVE PURPOSES ONLY. AND THE RIGHT IS RESERVED TO DEVIATE FROM ANY OF THE DETAILS SHOWN HEREON.
 © 2008 Thomas & Betts - Proprietary. All Rights Reserved