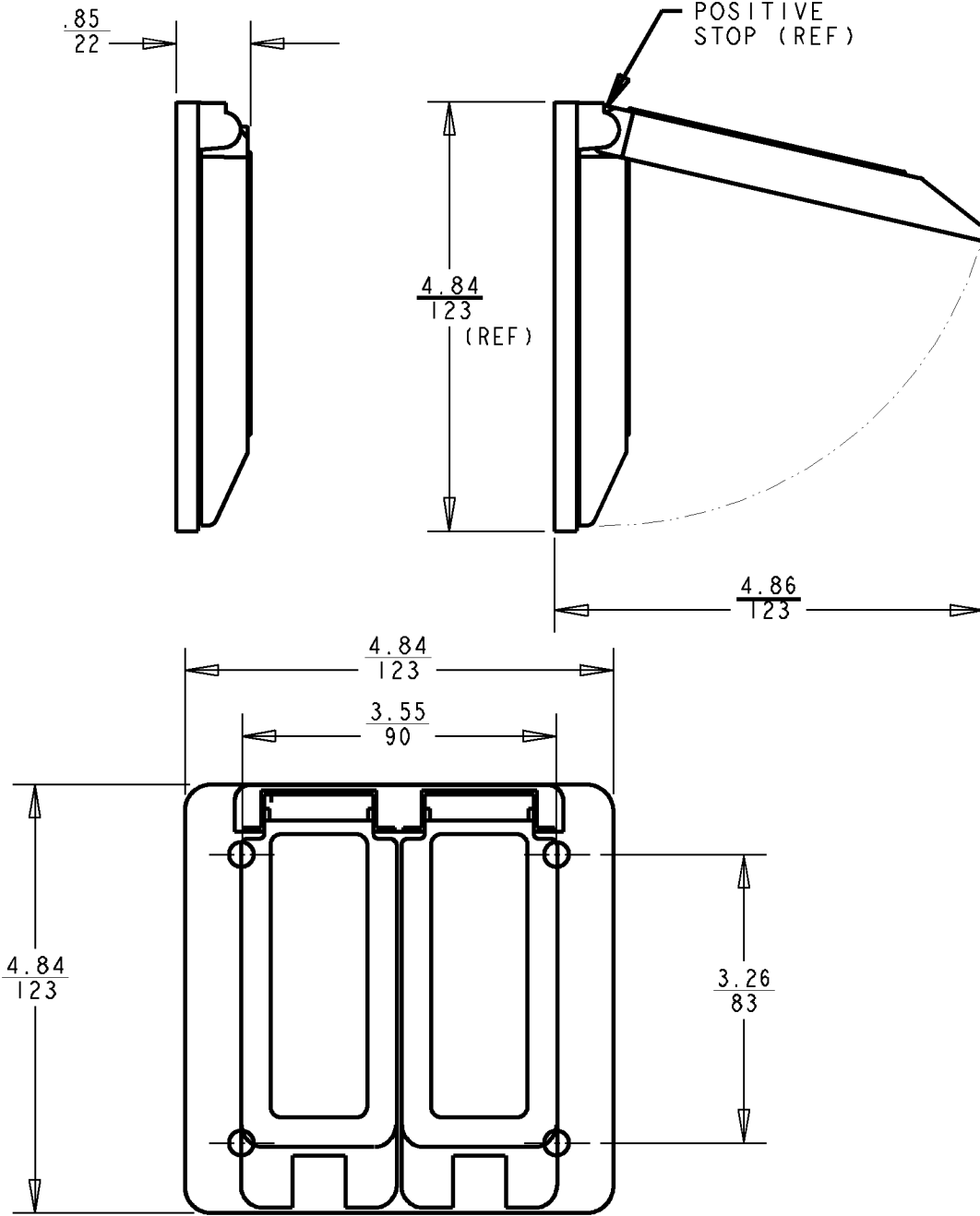


Carlton®



| PART NO. | COLOR | MATERIAL |
|-------------|-------|----------|
| E9G2DDN-CAR | GRAY | LEXAN |

GENERAL NOTES

1. ALL DIMENSIONS ARE FOR REFERENCE ONLY.
2. DIMENSIONS IN BRACKETS [] ARE IN METRIC UNITS.

REVISIONS

*** SEE ERN (****) FOR APPROVAL SIGNATURES & RELEASE DATE.
PROJECT NO: ****

Thomas & Betts
www.tnb.com

DESCRIPTION: **WEATHERPROFF COVER, 2 GANG**

| | | | |
|----------------------------------|-----------|----------|-------------|
| ORIGINAL PROJECT NO / (ERN NO) | SHEET NO: | REV. NO: | DRAWING NO: |
| / () | 1 OF 1 | B | WSD-AC02261 |