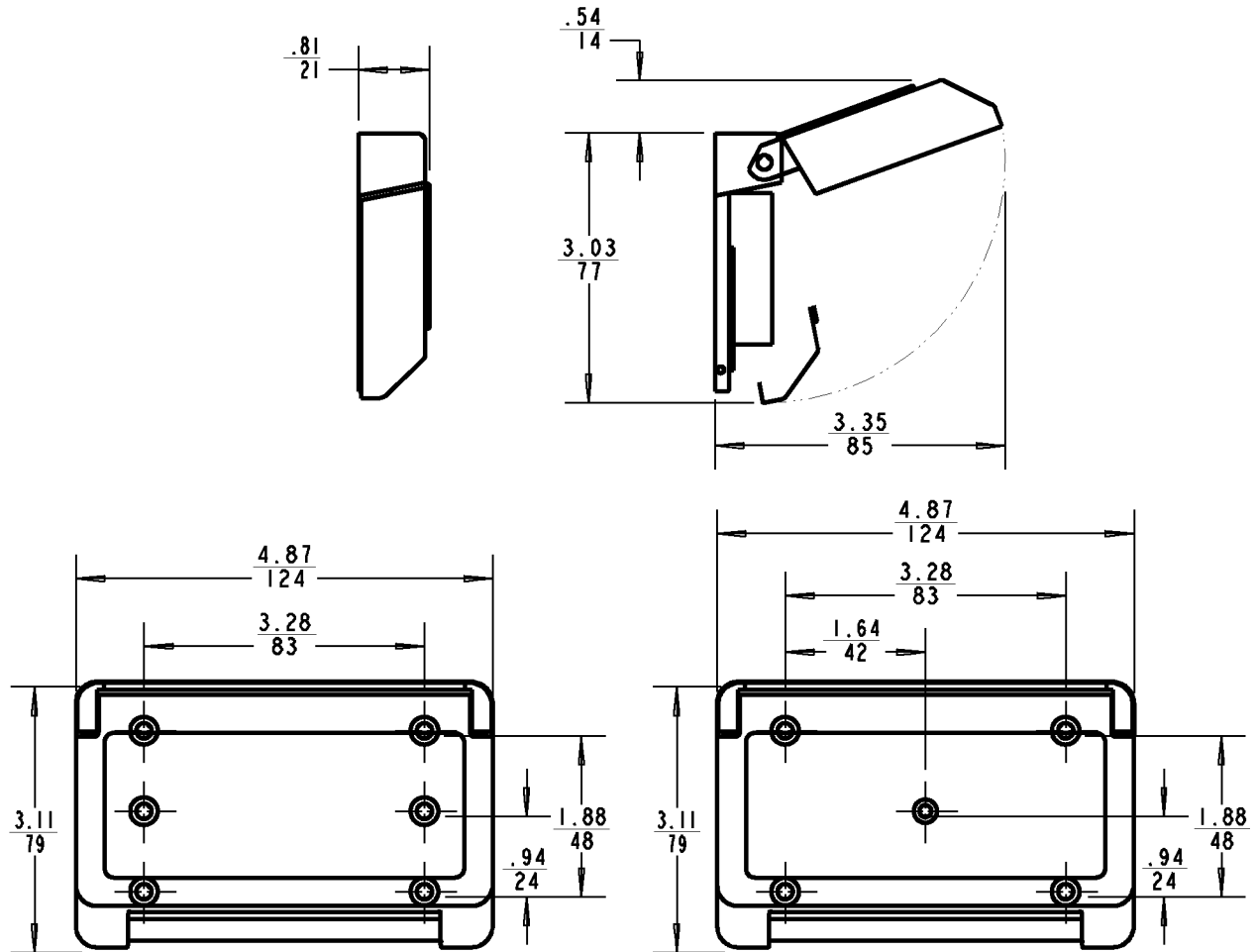


# Carlton®



GFI  
VERSION

DUPLEX  
VERSION

PART NO.	STYLE	COLOR	MATERIAL
E98DHGN-CAR	DUPLEX	GRAY	LEXAN
E98DHGM-CAR	DUPLEX	WHITE	LEXAN
E98GHGN-CAR	GFI	GRAY	LEXAN
E98GHGM-CAR	GFI	WHITE	LEXAN

**GENERAL NOTES**

- ALL DIMENSIONS ARE FOR REFERENCE ONLY.
- DIMENSIONS IN BRACKETS [ ] ARE IN METRIC UNITS.

**REVISIONS**

SEE ERN ( \*\*\*\* ) FOR APPROVAL SIGNATURES & RELEASE DATE.  
PROJECT NO: \*\*\*\*

**Thomas & Betts**  
www.tnb.com

DESCRIPTION: **WEATHERPROOF COVER - HORIZONTAL**

ORIGINAL PROJECT NO / ( ERN NO )

/ ( )

SHEET NO:

1 OF 1

REV. NO:

C

DRAWING NO:

**WSD-AC02260**