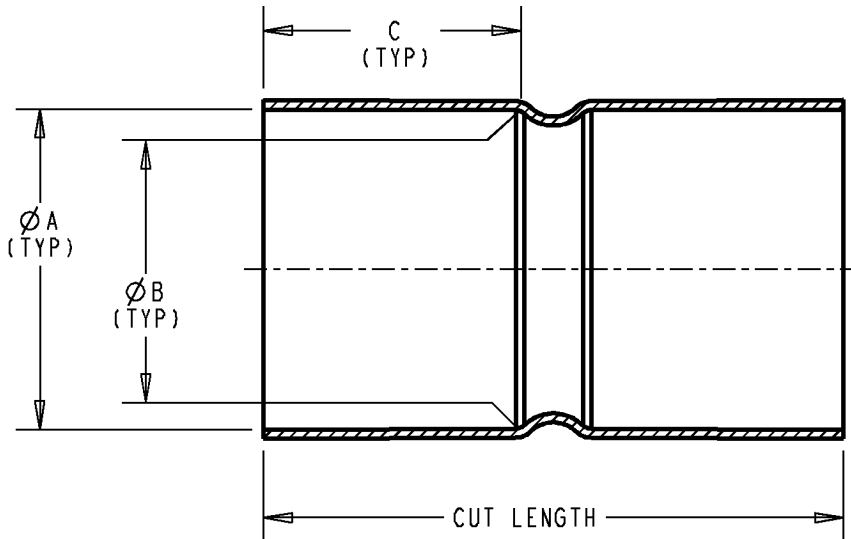


Carlton®



PART NUMBER	NOMINAL SIZE	RAW MATERIAL CUT LENGTH PRIOR TO SWEDGING	BELL DIMENSIONS		
			DIA 'A'	DIA 'B'	DIM 'C'
E240RF	6"	11	6.69 [170]	6.64 [169]	5.4 [137]
E242J	2"	5	2.40 [61]	2.38 [60]	2.1 [54]
E242JGT	2"	6	2.39 [61]	2.37 [60]	2.3 [57]
E242NGT	4"	9-1/4	4.52 [115]	4.49 [114]	4.0 [102]
E242NT	4"	8	4.38 [111]	4.36 [110]	3.0 [76]
E242NTW	4"	7-1/2	4.38 [111]	4.36 [110]	3.0 [76]

GENERAL NOTES

- ALL DIMENSIONS ARE FOR REFERENCE ONLY.
- DIMENSIONS IN BRACKETS [] ARE IN METRIC UNITS.

REVISIONS

*** SEE ERN (****) FOR APPROVAL SIGNATURES & RELEASE DATE.
PROJECT NO: ****

Thomas & Betts
www.tnb.com

DESCRIPTION: **COUPLING - FABRICATED**

ORIGINAL PROJECT NO / (ERN NO)	SHEET NO:	REV. NO:	DRAWING NO:
/ ()	1 OF 1	A	WSD-AC04798