



Product Datasheet

ANDERSON FARGO

WTTFR3060B2 -- Tee, Aluminum Weldment



Tee, Aluminum Weldment, Tube to Flat, 3 to 6 IPS/EHIPS Tube to 2 in, 2 hole Flat

Product Specifications

Family Image



Tees

Tees

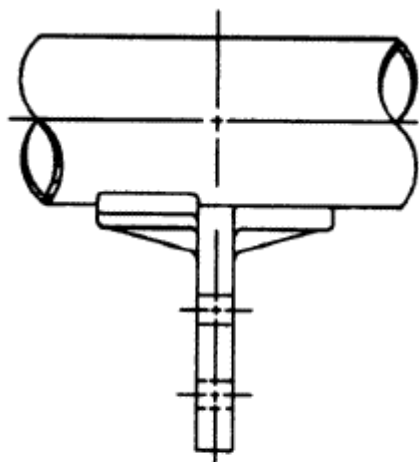


WTTFR Series
Tube to Flat
Aluminum Weldment Tees

| | |
|---------------------------------|--|
| PDF Catalog Page | Click HERE to view the web page. |
| Flat Bar Tap Width | 2 in |
| Pad Holes | 2 |
| Pad Width | 2 |
| Pad Plane | Parallel to bus tube |
| Dimension A | 2.00 in (50.8 mm) |
| Dimension H | 4.00 in (101.6 mm) |
| Dimension K | 0.63 in (15.9 mm) |
| Dimension L | 3.00 in (76.2 mm) |
| Dimension T | 0.75 in (19.1 mm) |
| Main Conductor Minimum Diameter | 3.5 |
| Main Conductor Maximum Diameter | 6.625 |
| Material Type | Non-Standard |
| UPC Code | 09635934390 |
| Standard Package | 24 |
| Standard Package Unit | Each |
| Min Order Qty | 1 |
| Weight / Ea. | 0.588 lbs |

Compressed Product Number

WTTFR3060B2



WTTFR-90

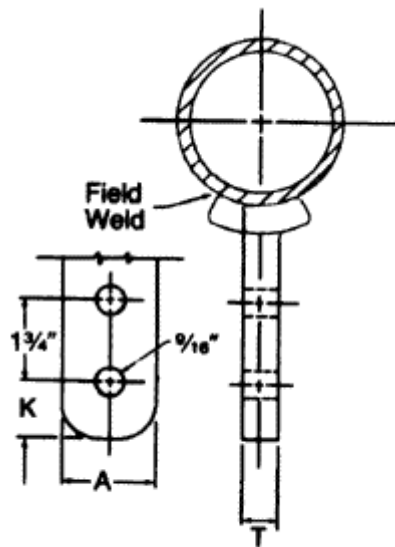


Fig. 1

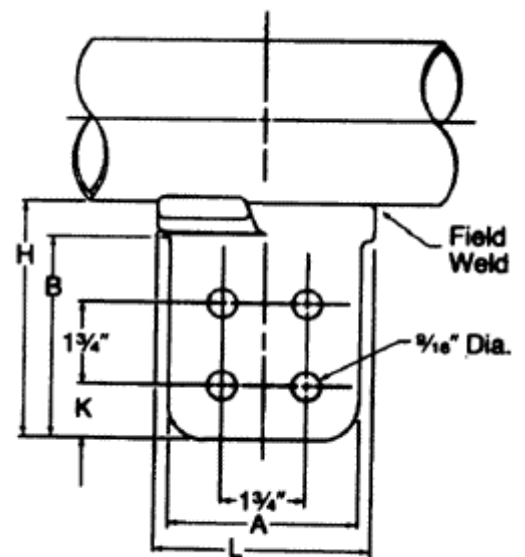


Fig. 2

[Catalog Home](#)



[Warranty Info](#) | [Trademarks](#) | [Terms of Use](#)

All contents Copyright © 2007 Hubbell Power Systems, Inc. All rights reserved.

NOTE: Because Hubbell has a policy of continuous product improvement, we reserve the right to change design and specifications without notice.