

**15 Amp, 125 Volts**  
**2 Pole, 2 Wire, Non-Grounding**

**IP20**  
 SUITABILITY

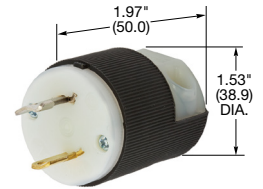


**15A 125V**  
**NEMA L1-15P**  
**0.5 HP**

## Plugs

Description	Cord Dia.	Catalog Number
Black and white nylon, polarized. Multiple drive screws.	.230"-.720" (5.8-18.3)	<b>HBL7545C</b>

Note: See page B-51 for accessories.



**HBL7545C**

## Flanged Inlets

Description	Catalog Number
Nylon casing, polarized, backwired, Multiple drive screws.	<b>HBL7524C</b>

Note: See page B-50 for accessories.

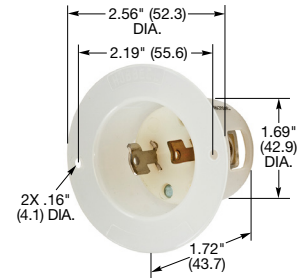


**15A 125V**  
**NEMA L1-15R**  
**0.5 HP**

## Connector Bodies

Description	Cord Dia.	Catalog Number
Black and white nylon. Multiple drive screws.	.230"-.720" (5.8-18.3)	<b>HBL7506C</b>

Note: See page B-51 for accessories.



**HBL7524C**

## Receptacles

Description	Catalog Number
Duplex, flush, black phenolic.	<b>HBL7540</b>
Single, flush, black phenolic.	<b>HBL7535</b>
Single, panel mount, 1 <sup>5</sup> / <sub>16</sub> " (49.2) centers, black phenolic.	<b>HBL7498</b>

Note: See pages B-50 and B-51 for accessories.

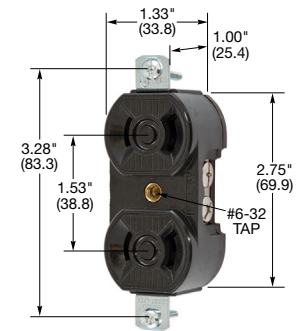


**HBL7506C**

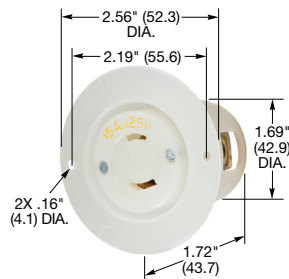
## Flanged Receptacles

Description	Catalog Number
Insulgrip nylon casing, backwired. Multiple drive screws.	<b>HBL7526C</b>
Metal flange, stainless steel casing, black phenolic, exposed terminals.	<b>HBL7526</b>

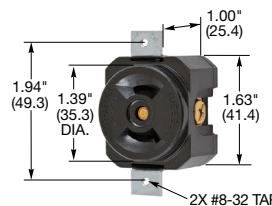
Note: See pages B-50 and B-51 for accessories.  
 Only receptacles and plugs are HP rated.  
 HP ratings are AC only.



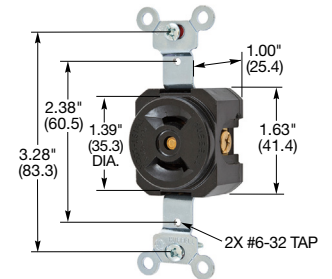
**HBL7540**



**HBL7526C**



**HBL7498**



**HBL7535**

Dimensions in Inches (mm)