

Raceway
Non-Metallic Raceway
PL1 LANTrak® (Latching) External Elbow
Cover

HUBBELL

Features

- Full capacity 1¼ in. bend radius external elbow.

Ordering Information

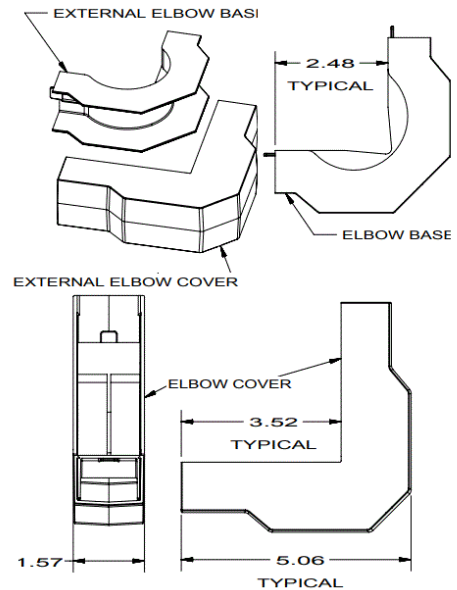
Description	Color	UPC Number	Catalog Number
External Elbow Cover	Office White	783585090290	PL1EE

Listings

UL Listed
CSA Certified

Specifications

Height	1.57"
Width	5.06"
Length	5.06"



Online Resources

Customer Use Drawing
eCatalog
Installation Instructions

Dimensions in Inches (mm)

Hubbell Wiring Device-Kellems • Hubbell Incorporated (Delaware) • 40 Waterview Drive • Shelton, CT 06484

Phone (800) 288-6000 • Fax (800) 255-1031 • Specifications subject to change without notice.

