

Raceway
Non-Metallic Raceway
PL1 LANTrak® (Latching) Base and Cover

HUBBELL

Features

- Single channel raceway
- Comes with Adhesive
- Available in 5 ft. (1.5m) and 7 ft. (2.1m) lengths.



Ordering Information

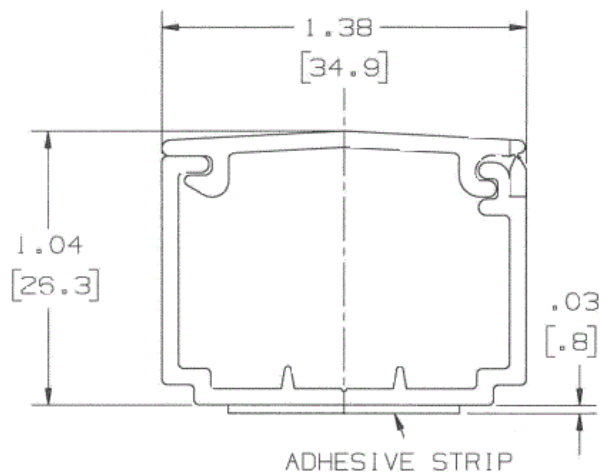
Description	Color	UPC Number	Catalog Number
Base and Cover	Office White	783585090214	PL1ABC5

Listings

UL Listed
CSA Certified

Specifications

Height	1.04"
Width	1.38"
Length	5'



Online Resources

Customer Use Drawing
eCatalog
Installation Instructions

Dimensions in Inches (mm)

Hubbell Wiring Device-Kellems • Hubbell Incorporated (Delaware) • 40 Waterview Drive • Shelton, CT 06484

Phone (800) 288-6000 • Fax (800) 255-1031 • Specifications subject to change without notice.

