

4703-IIR



UPC Code: 07847794378

Country Of Origin: Mexico

NEMA:
L5-15R



Brand Features

Leviton's Industrial Grade Locking Devices are built to provide unparalleled quality and superior performance in the most severe industrial settings. Leviton combines the best materials available with superior production standards to produce a broad selection of Locking Devices of unmatched flexibility and dependability.

Item Description

15 Amp-125 Volt, 2-Pole, 3-Wire, Duplex Flush Receptacle with Split Feed: 2 Hot Feeds and 2 Neutral Returns, Self-Grounding, Back and Side Wired - BLACK

Technical Information

AC Horsepower Ratings

At Rated Voltage: 1/2 HP

Electrical Specifications

Grounding: Self-Grounding

Amperage: 15 A

Voltage: 125 VAC

Pole: 2

Wire: 3

Dielectric Voltage: Withstands 2000V per UL498

Current Limiting: Full Rated Current

Temperature Rise: Max 30C after 250 cycles OL at 200 percent rated current

Environmental Specifications

Flammability: Rated V-2 per UL 94

Operating Temperature: -40°C to 60°C

Environment: Dry

Material Specifications

Face Material: Nylon

Body Material: Nylon

Line Contacts: Brass .031 Thick

Terminal Screws: Brass 10-32

Grounding Screw: Brass 8-32

Yoke: Zinc-Plated Steel

Strap Material: Steel

Color: Black

Mechanical Specifications

Terminal ID: Brass-Hot, Green-Ground, Silver-Neutral

Terminal Accom.: 18-10 AWG

Product ID: Ratings and NEMA I.D. permanently marked on device

Termination: Back & Side

Product Features

NEMA: L5-15R

Color: Black

Standards and Certifications

NEMA: WD-6

ANSI: C-73

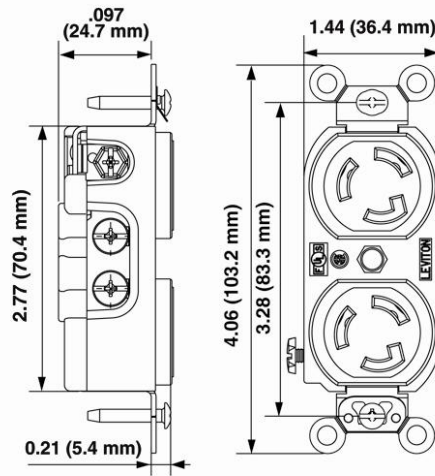
UL498: File E13399

UL Fed Spec WC-596: File E13399

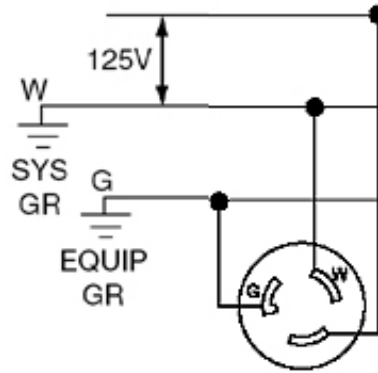
CSA C22.2 No. 42: File LR-406

NOM: 057

Warranty: Lifetime Warranty



Wiring Diagram



L5-15R

SPECIFICATION SUBMITTAL

JOB NAME:	CATALOG NUMBERS:	
<input type="text"/>	<input type="text"/>	<input type="text"/>
JOB NUMBER:	<input type="text"/>	<input type="text"/>

Leviton Manufacturing Co., Inc.

201 North Service Road, Melville, NY 11747

Teléfono: +1-800-323-8920 · FAX: +1-800-832-9538 · Tech Line (8:30AM-7:30PM E.S.T. Monday-Friday): +1-800-824-3005

Leviton Manufacturing of Canada, Ltd.

165 Hymus Boulevard, Pointe Claire, Quebec H9R 1E9 · Telephone: +1-800-469-7890 ·

FAX: +1-800-824-3005 · www.leviton.com/canada

Leviton S. de R.L. de C.V.

Lago Tana 43, Mexico DF, Mexico CP 11290 · Tel.: (+52)55-5082-1040 · FAX: (+52)5386-

1797 · www.leviton.com.mx

Visit our Website at: www.leviton.com

© 2018 Leviton Manufacturing Co., Inc. Todos los derechos reservados. Subject to change without notice.

Leviton has a global presence.

If you would like to know where your local Leviton office is located please go to:

www.leviton.com/international/contacts/

