



UPC Code: 07847794377

Country Of Origin: Mexico

NEMA:  
L5-15R



## 4702-IIR

### Brand Features

Leviton's Industrial Grade Locking Devices are built to provide unparalleled quality and superior performance in the most severe industrial settings. Leviton combines the best materials available with superior production standards to produce a broad selection of Locking Devices of unmatched flexibility and dependability.

### Item Description

15 Amp-125 Volt, 2-Pole, 3-Wire, Duplex Flush Receptacle with 2 Hot Feeds and 1 Neutral Return, Self-Grounding, Back and Side Wired - BLACK

### Technical Information

#### AC Horsepower Ratings

**At Rated Voltage:** 1/2 HP

#### Electrical Specifications

**Grounding:** Self-Grounding

**Amperage:** 15 A

**Voltage:** 125 VAC

**Pole:** 2

**Wire:** 3

**Dielectric Voltage:** Withstands 2000V per UL498

**Current Limiting:** Full Rated Current

**Temperature Rise:** Max 30C after 250 cycles OL at 200 percent rated current

#### Environmental Specifications

**Flammability:** Rated V-2 per UL 94

**Operating Temperature:** -40°C to 60°C

#### Material Specifications

**Face Material:** Nylon

**Body Material:** Nylon

**Line Contacts:** Brass .031 Thick

**Terminal Screws:** Brass 10-32

**Grounding Screw:** Brass 8-32

**Yoke:** Zinc-Plated Steel

**Strap Material:** Steel

**Color:** Black

#### Mechanical Specifications

**Terminal ID:** Brass-Hot, Green-Ground, Silver-Neutral

**Terminal Accom.:** 18-10 AWG

**Product ID:** Ratings and NEMA I.D. permanently marked on device

**Termination:** Back & Side

#### Product Features

**NEMA:** L5-15R

**Color:** Black

#### Standards and Certifications

**NEMA:** WD-6

**ANSI:** C-73

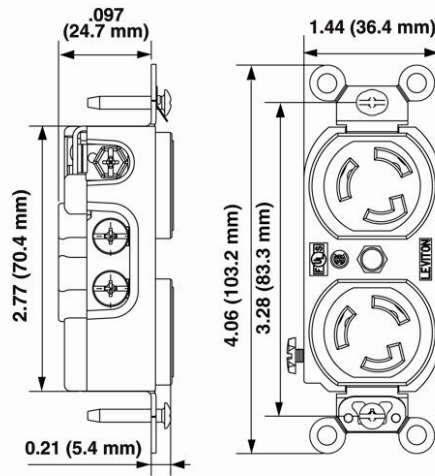
**UL498:** File E13399

**UL Fed Spec WC-596:** File E13399

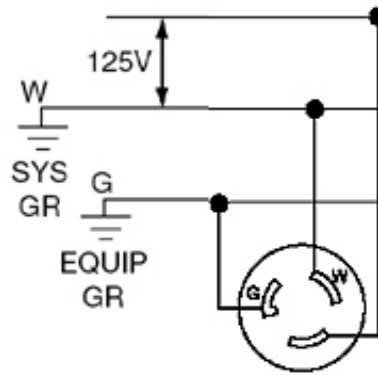
**CSA C22.2 No. 42:** File LR-406

**NOM:** 057

**Warranty:** Lifetime Warranty



### Wiring Diagram



L5-15R

### SPECIFICATION SUBMITTAL

JOB NAME: <input type="text"/>	CATALOG NUMBERS: <input type="text"/>	
JOB NUMBER: <input type="text"/>	<input type="text"/>	<input type="text"/>

#### Leviton Manufacturing Co., Inc.

201 North Service Road, Melville, NY 11747

Teléfono: +1-800-323-8920 · FAX: +1-800-832-9538 · Tech Line (8:30AM-7:30PM E.S.T. Monday-Friday): +1-800-824-3005

#### Leviton Manufacturing of Canada, Ltd.

165 Hymus Boulevard, Pointe Claire, Quebec H9R 1E9 · Telephone: +1-800-469-7890 ·

FAX: +1-800-824-3005 · www.leviton.com/canada

#### Leviton S. de R.L. de C.V.

Lago Tana 43, Mexico DF, Mexico CP 11290 · Tel.: (+52)55-5082-1040 · FAX: (+52)5386-

1797 · www.leviton.com.mx

Visit our Website at: [www.leviton.com](http://www.leviton.com)

© 2018 Leviton Manufacturing Co., Inc. Todos los derechos reservados. Subject to change without notice.

#### Leviton has a global presence.

If you would like to know where your local Leviton office is located please go to:

[www.leviton.com/international/contacts/](http://www.leviton.com/international/contacts/)

