

RECESSED ACCESSORIES

Flange Kit and Plaster Frame Information

TECHNICAL

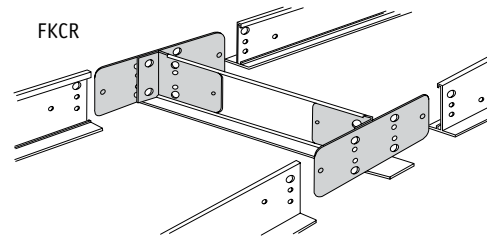
FLANGE KITS

Flange kits are extruded aluminum frames that act as individual fixture T-Bar frames to support the weight of any G (grid) trim recessed fixture in drywall or plaster ceilings. Kits snap together without the use of tools (18 gauge galvanized corner clips provided) and are hung by tie wire (by others) from the ceiling support structure.

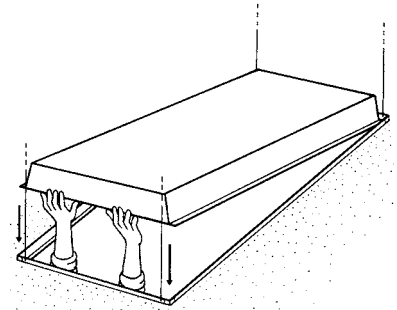
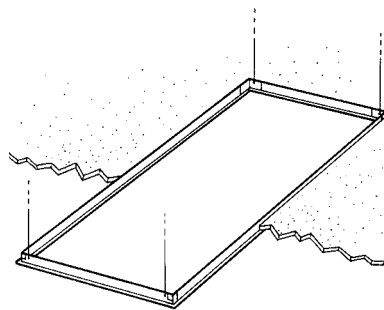
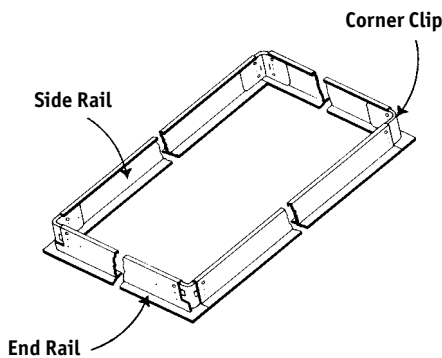
From the room side flange kits mimic the appearance of T-Bars in a baked white enamel finish. Consult chart for ceiling cut out dimension.

For continuous row applications order flange kits plus one FKCR, continuous row flange connector kit, for each joint between fixtures. (One less than the number of fixtures in the row.)

FLANGE KIT		CEILING OPENING	
Catalog No.	Size	Width	Length
FK14	1' × 4'	12 ³ / ₈ "	48 ³ / ₈ "
FK22	2' × 2'	24 ³ / ₈ "	24 ³ / ₈ "
FK24	2' × 4'	24 ³ / ₈ "	48 ³ / ₈ "
FK44	4' × 4'	48 ³ / ₈ "	48 ³ / ₈ "
FK81	8" × 1'	8 ³ / ₈ "	12 ³ / ₈ "
FK82	8" × 2'	8 ³ / ₈ "	24 ³ / ₈ "
FK84	8" × 4'	8 ³ / ₈ "	48 ³ / ₈ "



FLANGE KIT INSTALLATION INSTRUCTIONS



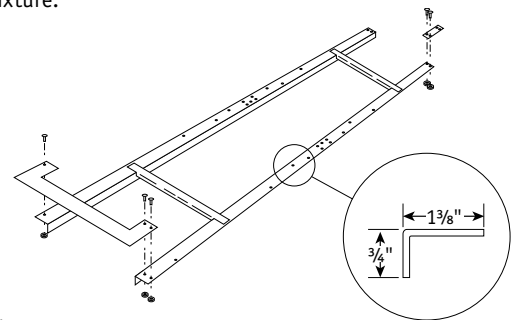
1. Cut ceiling opening to proper dimensions. Slip fit corner clips into side and end rails. No tools are required.
2. Place Flange Kit in ceiling opening and wire each corner to ceiling structure. Pull up tight against ceiling.
3. Place grid trim troffer in Flange Kit.

PLASTER FRAMES

Plaster frames are galvanized steel rails used to trim ceiling openings primarily in wet plaster applications. They are installed during ceiling construction and help maintain the correct opening dimensions for installation of flange ST8 trimmed recessed fixtures. See fixture specification sheet for dimensions required for framing to support the weight of the fixture.

Use plaster inside dimensions for framing opening in dry ceilings. Framing (by others) required to support the weight of the fixture.

Catalog No.	Description	Nominal Size	Inside Dimension
PL14	Individual	1' × 4'	12" × 48 ⁷ / ₈ "
PL14R	For Rows	1' × 4'	-
PL22	Individual	2' × 2'	24" × 24 ⁷ / ₈ "
PL24	Individual	2' × 4'	24" × 48 ⁷ / ₈ "
PL24R	For Rows	2' × 4'	-
PL44	Individual	4' × 4'	48" × 48 ⁷ / ₈ "



Plaster Frames:

- For mounting any Columbia Lighting flanged troffer in a plaster ceiling
- Provides a clean, finished appearance