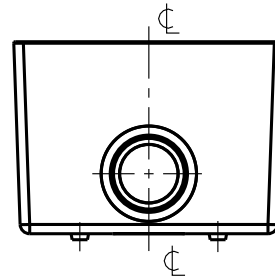
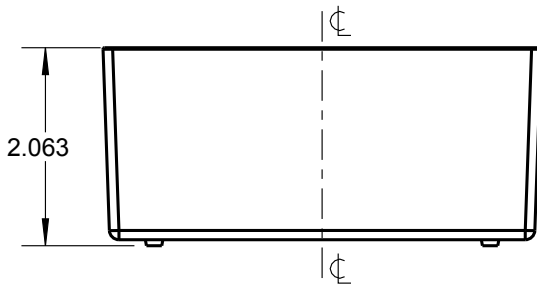
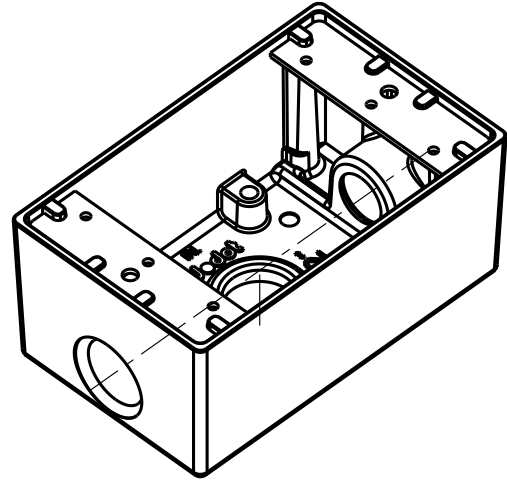
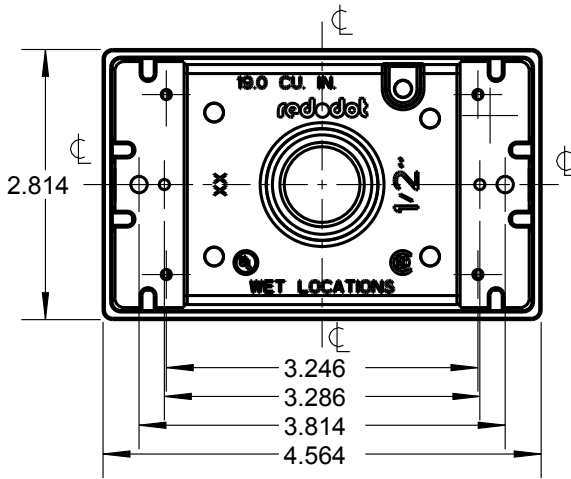




Red•Dot



NOTES:

1. MATERIAL: DIE CAST ALUMINUM.
2. FINISH: POWDER COAT.
3. OUTLETS: 3 TOTAL, 1 EACH ON TOP, BOTTOM AND BACK.

CAT. NO.	HUB SIZE (IN.)	COLOR
IH3-1	1/2	SILVER
IH3-2	3/4	SILVER
IH3-1-LM.	1/2	SILVER
IH3-2-LM.	3/4	SILVER

GENERAL NOTES

1. ALL DIMENSIONS ARE FOR REFERENCE ONLY.
2. DIMENSIONS IN BRACKETS [] ARE IN METRIC UNITS.

www.tnb.com

Thomas & Betts

A Member of the ABB Group

REVISIONS

- | | |
|---|---|
| 0 | SEE ERN (****) FOR APPROVAL SIGNATURES & RELEASE DATE. PROJECT NO: **** |
|---|---|

DESCRIPTION: **SINGLE-GANG WEATHERPROOF METALLIC BOXES**

ORIGINAL PROJECT NO / (ERN NO)

002V000686 / (2017563)

SHEET NO:

1 OF 1

REV. NO:

0

DRAWING NO:

WSD-001718