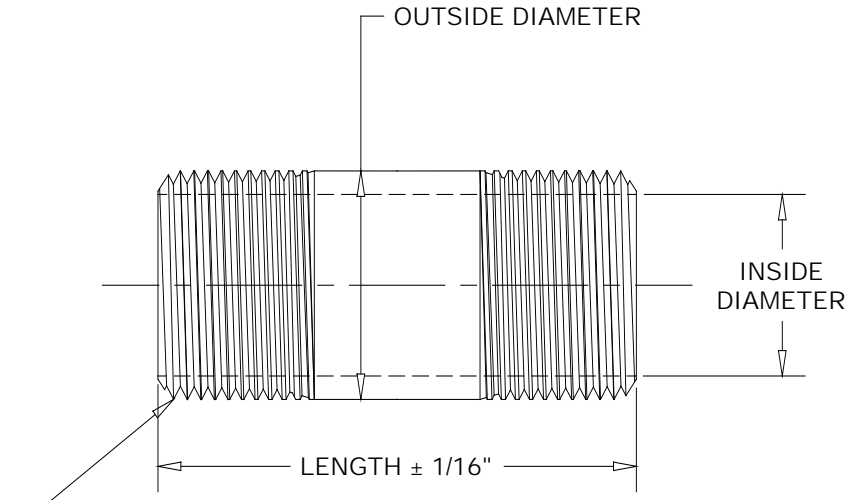


RIGID CONDUIT PIPE NIPPLES

Form #0257



Type - Rigid Steel and Aluminum



Standard NPT Tapered Pipe Threads as per ANSI/ASME B1.20.1 Specification.

Material - Rigid Steel Conduit - (UL 6)
Aluminum Conduit - (UL 6A)

APPLICABLE SPECIFICATION:

Underwriters Laboratories - UL 6 for Rigid
UL 6A for Aluminum

(Refer to Form#0054 for specific pipe dimensions.)

Pipe Size (in.)	Pipe O.D. (in.)	Length Close (in.)	Pipe Nipple Lengths															
			1-1/2	2	2-1/2	3	3-1/2	4	4-1/2	5	5-1/2	6	7	8	9	10	11	12
1/2	.840	1-1/8	1-1/2	2	2-1/2	3	3-1/2	4	4-1/2	5	5-1/2	6	7	8	9	10	11	12
3/4	1.050	1-3/8	1-1/2	2	2-1/2	3	3-1/2	4	4-1/2	5	5-1/2	6	7	8	9	10	11	12
1	1.315	1-1/2		2	2-1/2	3	3-1/2	4	4-1/2	5	5-1/2	6	7	8	9	10	11	12
1-1/4	1.660	1-5/8		2	2-1/2	3	3-1/2	4	4-1/2	5	5-1/2	6	7	8	9	10	11	12
1-1/2	1.900	1-3/4		2	2-1/2	3	3-1/2	4	4-1/2	5	5-1/2	6	7	8	9	10	11	12
2	2.375	2			2-1/2	3	3-1/2	4	4-1/2	5	5-1/2	6	7	8	9	10	11	12
2-1/2	2.875	2-1/2				3	3-1/2	4	4-1/2	5	5-1/2	6	7	8	9	10	11	12
3	3.500	2-5/8				3	3-1/2	4	4-1/2	5	5-1/2	6	7	8	9	10	11	12
3-1/2	4.000	2-3/4						4	4-1/2	5	5-1/2	6	7	8	9	10	11	12
4	4.500	2-7/8						4	4-1/2	5	5-1/2	6	7	8	9	10	11	12
5	5.563	3							4-1/2	5	5-1/2	6	7	8	9	10	11	12
6	6.625	3-1/8							4-1/2	5	5-1/2	6	7	8	9	10	11	12

NOTE: Other lengths available