

Device Boxes and Covers

Cast Device Boxes

Application

- Accommodate wiring devices
- Act as pull boxes for conductors in a threaded rigid conduit system, including an internal ground screw
- Provide openings to make splices and taps in conductors
- Provide access to conductors for maintenance and future system changes
- Connect conduit sections

Features

- All hubs have NPT Threads with a minimum of five full threads and integral bushing. Internal grounding screw standard on boxes
- Suitable for wet locations when used with gasketed covers
- Available in shallow (FS) or deep (FD) boxes. Use FD if device to be enclosed exceeds 1 $\frac{1}{8}$ " in depth
- Use blank bodies where special arrangements of conduit hubs or entrances are required
- All cover holes are #6-32
- Mounting lugs are standard on all FS and FD boxes

Size Range

Hubs: $\frac{1}{2}$ " to 1" NPT

Materials

Boxes: Class 30 gray iron alloy

Covers: Sand cast aluminum alloy and sheet steel

Gaskets: Neoprene

Finish

Zinc-plated with aluminum acrylic paint

Listings/Compliances

UL 514A (wet locations when used with gasketed covers)

CSA C22.2 No.18



Dead-End



Dead-End



Thru-Feed

Device Boxes and Covers

Single-Gang Cast Device Boxes

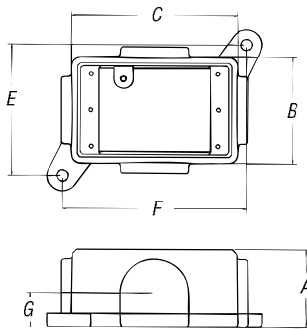


Fig. A Dead-End

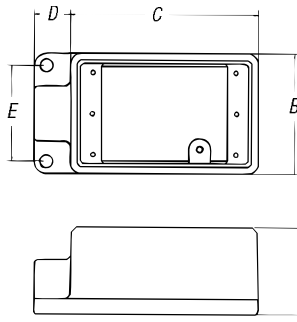


Fig. B Dead-End

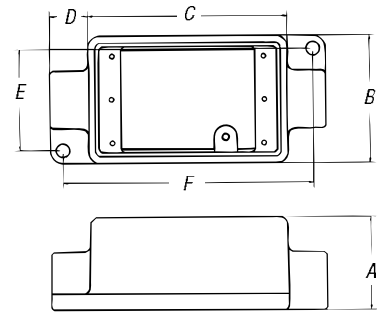


Fig. C Thru-Feed

Shallow Single-Gang Cast Device Boxes



CAT. NO.	FIG.	HUB SIZE	DIMENSIONS (IN.)							THROAT DIA.	
			A	B	C	D	E	F	G	MIN.	MAX.
Dead-End											
FS019-TB	A	Blank	2.00	2.75	4.28	—	3.38	4.72	.88	N/A	N/A
FS1-TB	B	1/2"	2.00	2.75	4.28	.88	2.19	—	—	.570	.610
FS2-TB	B	3/4"	2.00	2.75	4.28	.88	2.19	—	—	.755	.810
FS3-TB	B	1"	2.00	2.75	4.28	.88	2.19	—	—	.935	1.035
Thru-Feed											
FSC1-TB	C	1/2"	2.00	2.75	4.28	.88	2.19	5.38	—	.570	.610
FSC2-TB	C	3/4"	2.00	2.75	4.28	.88	2.19	5.38	—	.755	.810
FSC3-TB	C	1"	2.00	2.75	4.28	.88	2.19	5.38	—	.935	1.035

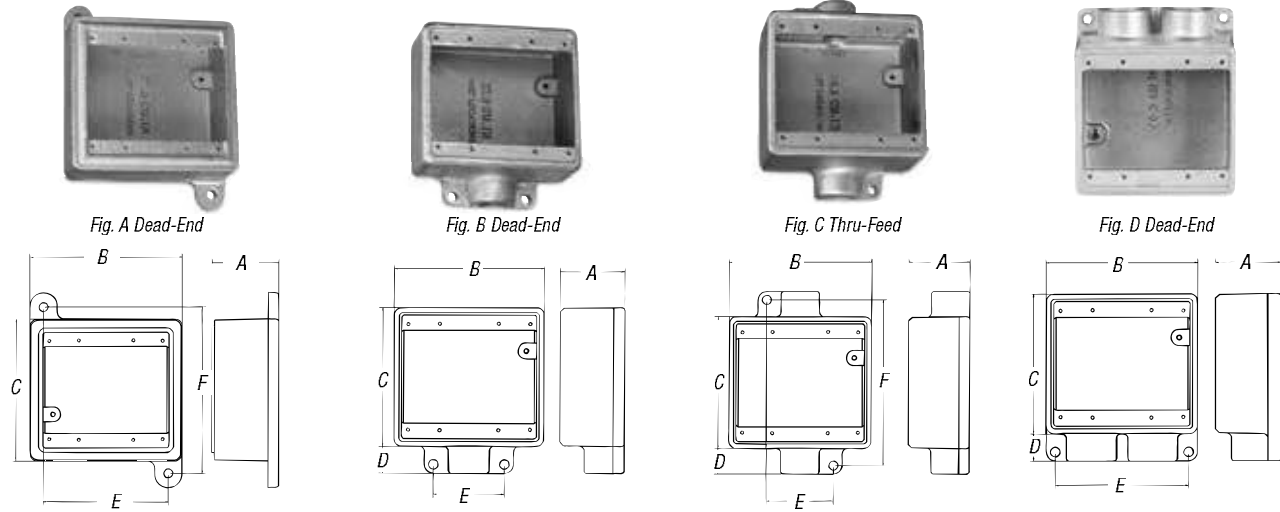
Deep Single-Gang Cast Device Boxes



CAT. NO.	FIG.	HUB SIZE	DIMENSIONS (IN.)							THROAT DIA.	
			A	B	C	D	E	F	G	MIN.	MAX.
Dead-End											
FD019-TB	A	Blank	2.81	2.75	4.28	—	3.38	4.72	1.38	N/A	N/A
FD1-TB	B	1/2"	2.81	2.75	4.28	.88	2.19	—	—	.570	.610
FD2-TB	B	3/4"	2.81	2.75	4.28	.88	2.19	—	—	.755	.810
FD3-TB	B	1"	2.81	2.75	4.28	.88	2.19	—	—	.935	1.035
Thru-Feed											
FDC1-TB	C	1/2"	2.81	2.75	4.28	.88	2.19	5.38	—	.570	.610
FDC2-TB	C	3/4"	2.81	2.75	4.28	.88	2.19	5.38	—	.755	.810
FDC3-TB	C	1"	2.81	2.75	4.28	.88	2.19	5.38	—	.935	1.035

Device Boxes and Covers

Double-Gang Cast Device Boxes



Shallow Double-Gang Cast Device Boxes

CAT. NO.	HUB FIG.	SIZE	DIMENSIONS (IN.)						THROAT DIA.	
			A	B	C	D	E	F	MIN.	MAX.
Dead-End										
FS062-TB	A	Blank	2.00	4.63	4.28	—	4.13	5.50	N/A	N/A
FS12-TB	B	1/2"	2.00	4.63	4.28	.88	2.19	—	.570	.610
FS22-TB	B	3/4"	2.00	4.63	4.28	.88	2.19	—	.755	.810
FS32-TB	B	1"	2.00	4.63	4.28	.88	2.19	—	.935	1.035
Thru-Feed										
FSC12-TB	C	1/2"	2.00	4.63	4.28	.88	2.19	5.38	.570	.610
FSC22-TB	C	3/4"	2.00	4.63	4.28	.88	2.19	5.38	.755	.810
FSC32-TB	C	1"	2.00	4.63	4.28	.88	2.19	5.38	.935	1.035

Deep Double-Gang Cast Device Boxes

CAT. NO.	FIG.	HUB SIZE	DIMENSIONS (IN.)						THROAT DIA.	
			A	B	C	D	E	F	MIN.	MAX.
Dead-End										
FD062-TB	A	Blank	2.81	4.63	4.28	—	4.13	5.50	N/A	N/A
FD12-TB	B	1/2"	2.81	4.63	4.28	.88	2.19	—	.570	.610
FD22-TB	B	3/4"	2.81	4.63	4.28	.88	2.19	—	.755	.810
FD32-TB	B	1"	2.81	4.63	4.28	.88	2.19	—	.935	1.035
Thru-Feed										
FDC12-TB	C	1/2"	2.81	4.63	4.28	.88	2.19	5.38	.570	.610
FDC22-TB	C	3/4"	2.81	4.63	4.28	.88	2.19	5.38	.755	.810
FDC32-TB	C	1"	2.81	4.63	4.28	.88	2.19	5.38	.935	1.035

Double-Gang Cast Device Boxes, Double Hub

CAT. NO.	FIG.	HUB SIZE	DIMENSIONS (IN.)						THROAT DIA.	
			A	B	C	D	E	MIN.	MAX.	
FSS222-TB	D	3/4"	2.00	4.63	4.28	.88	4.06	—	.755	.810
FDS222-TB	D	3/4"	2.81	4.63	4.28	.88	4.06	—	.755	.810