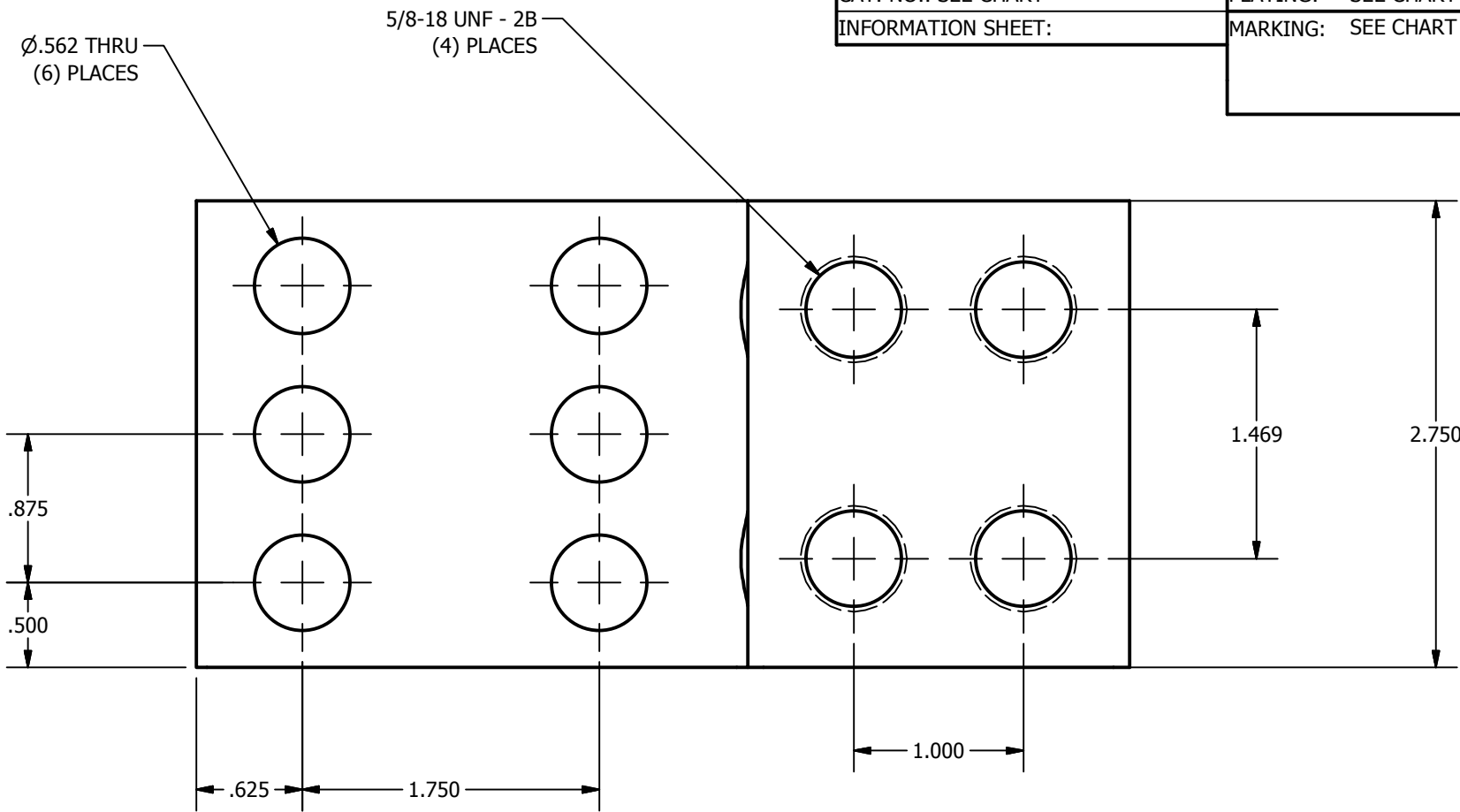


SCREW: SEE CHART	MATERIAL: ALUMINUM
CAT. NO.: SEE CHART	PLATING: SEE CHART
INFORMATION SHEET:	MARKING: SEE CHART

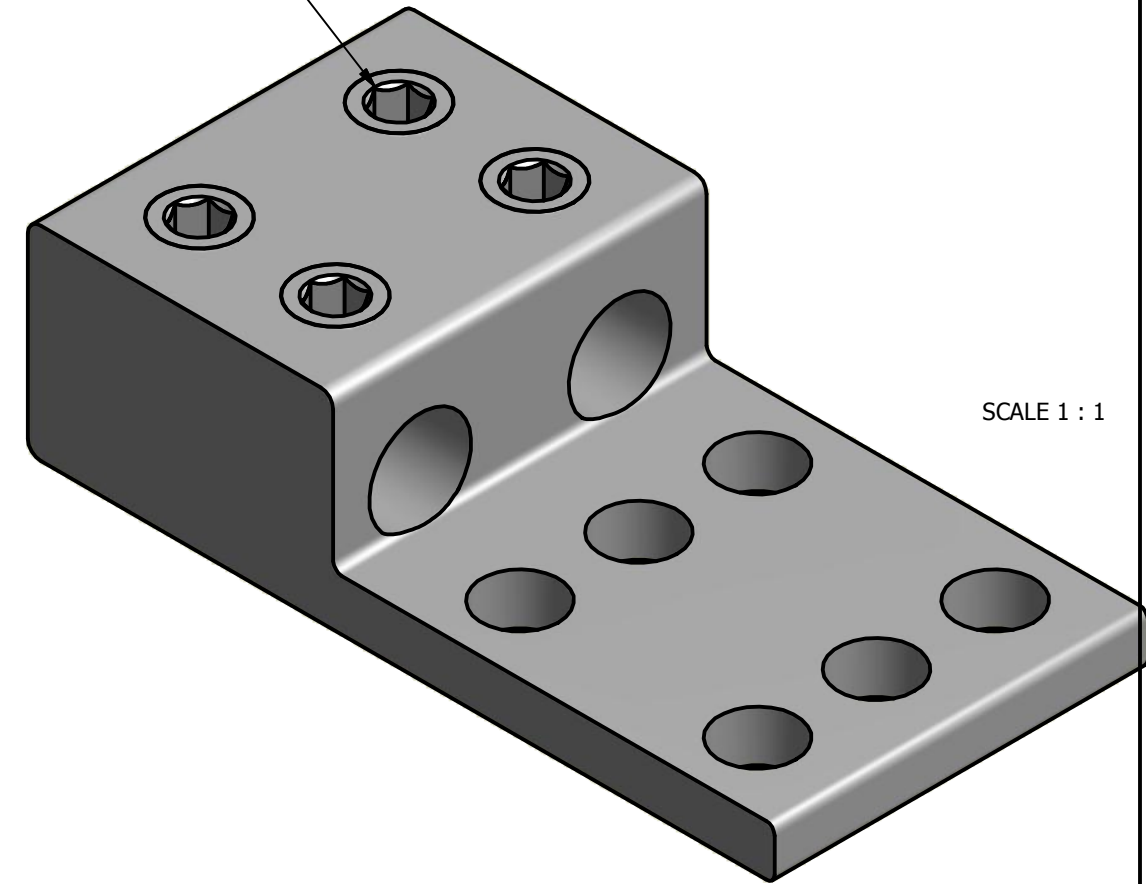
REV: D	DRAWN BY: CLH	SCALE: 1:1
DATE: 5/14/2007	SIZE: B	

ILSCO
connections
matter
800-776-9775 www.ilSCO.com

DWG NO: **D3873**
SHEET: 1 OF 1



SEE CHART FOR SCREW
(4) PLACES



SCALE 1 : 1

