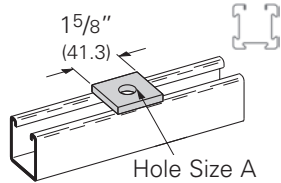


Flat Plate Fittings

B200-B202-2

- Standard finishes: ZN, GRN, HDG, SS4, SS6, AL

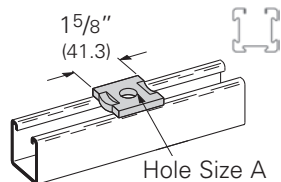


SQUARE WASHER

| Part No. | A | | Bolt Size | | Wt./C | |
|----------|--------|--------|-----------|--------|-------|-------|
| | In. | mm | In. | mm | Lbs. | kg |
| B200 | 3/8" | (9.5) | 5/16" | (7.9) | 18 | (8.1) |
| B201 | 7/16" | (11.1) | 3/8" | (9.5) | 18 | (8.1) |
| B202 | 9/16" | (14.2) | 1/2" | (12.7) | 17 | (7.7) |
| B202-1 | 11/16" | (17.4) | 5/8" | (15.9) | 16 | (7.2) |
| B202-2 | 13/16" | (20.6) | 3/4" | (19.0) | 15 | (6.8) |
| B202-3 | 15/16" | (23.8) | 7/8" | (22.2) | 14 | (6.3) |

B200D-B202-2D

- Standard finishes: ZN, GRN, HDG, SS4, SS6, AL



NO TWIST SQUARE WASHER

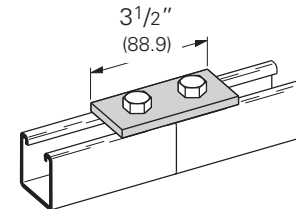
| Part No. | A | | Bolt Size | | Wt./C | |
|----------|--------|--------|-----------|--------|-------|-------|
| | In. | mm | In. | mm | Lbs. | kg |
| B200D | 3/8" | (9.5) | 5/16" | (7.9) | 18 | (8.1) |
| B201D | 7/16" | (11.1) | 3/8" | (9.5) | 18 | (8.1) |
| B202D | 9/16" | (14.2) | 1/2" | (12.7) | 17 | (7.7) |
| B202-1D | 11/16" | (17.4) | 5/8" | (15.9) | 16 | (7.2) |
| B202-2D | 13/16" | (20.6) | 3/4" | (19.0) | 15 | (6.8) |

B129

Two Hole Splice Plate

- Standard finishes: ZN, GRN
- Wt./C 37 Lbs. (16.8 kg)

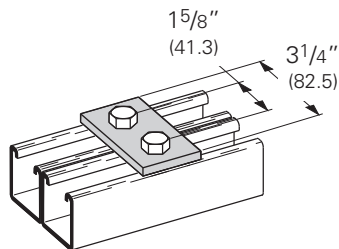
PA ^{ZN}_{GRN}



B340

Two Hole Splice Plate

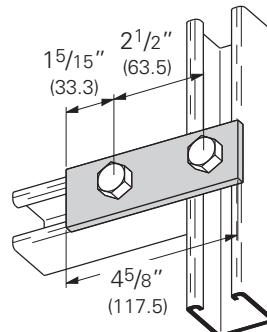
- Standard finishes: ZN, GRN
- Wt./C 34 Lbs. (15.4 kg)



B528

Two Hole Splice Plate

- Standard finishes: ZN, GRN
- Wt./C 50 Lbs. (22.7 kg)

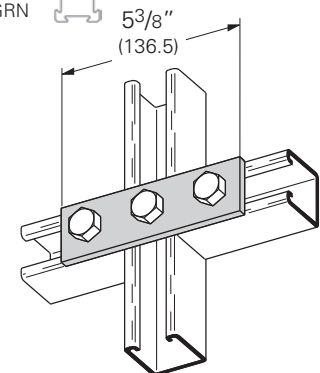


B141

Three Hole Splice Plate

- Standard finishes: ZN, GRN
- Wt./C 55 Lbs. (24.9 kg)

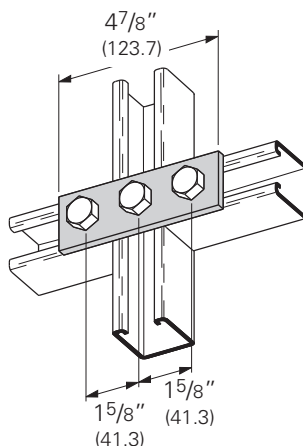
PA ^{ZN}_{GRN}



B557

Three Hole Splice Plate

- Standard finishes: ZN, GRN
- Wt./C 50 Lbs. (22.7 kg)

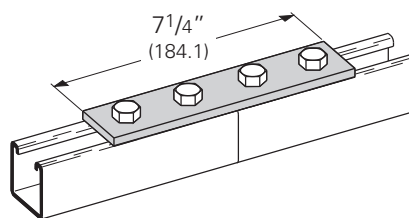


B341

Four Hole Splice Plate

- Standard finishes: ZN, GRN, HDG
- Wt./C 76 Lbs. (34.5 kg)

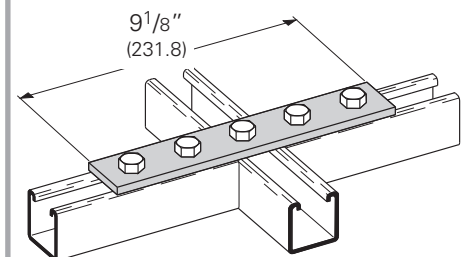
PA ^{ZN}_{GRN}



B342

Five Hole Splice Plate

- Standard finishes: ZN, GRN
- Wt./C 96 Lbs. (43.5 kg)



PA Pre-assembled fitting



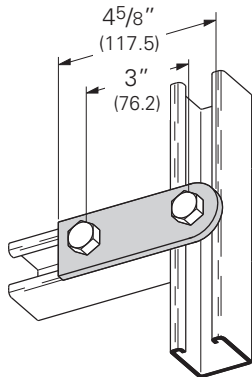
4Dimension compatible fitting

Reference page 73 for general fitting and standard finish specifications.

Flat Plate Fittings

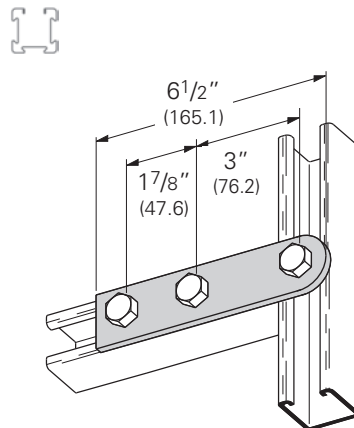
B138 Two Hole Swivel Plate

- Standard finishes: ZN, GRN
- Wt./C 48 Lbs. (21.8 kg)



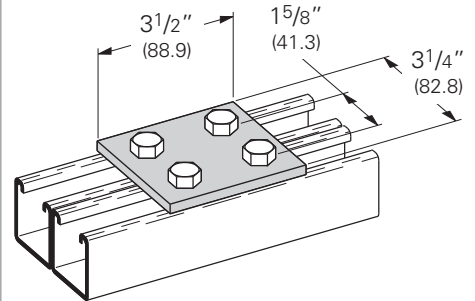
B139 Three Hole Swivel Plate

- Standard finishes: ZN, GRN
- Wt./C 69 Lbs. (31.3 kg)



B504 Four Hole Splice Plate

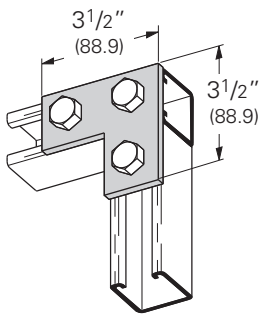
- Standard finishes: ZN, GRN
- Wt./C 73 Lbs. (33.1 kg)



B140 Three Hole Corner Plate

- Standard finishes: ZN, GRN, HDG, SS4
- Wt./C 56 Lbs. (25.4 kg)

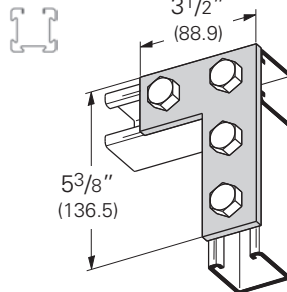
PA ZN
GRN



B143 Four Hole Corner Plate

- Standard finishes: ZN, GRN, HDG, SS4
- Wt./C 75 Lbs. (34.0 kg)

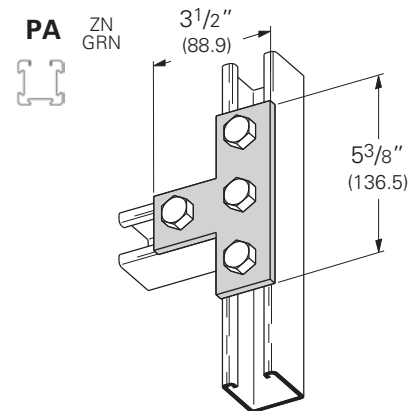
PA ZN
GRN



B133 Four Hole Tee Plate

- Standard finishes: ZN, GRN, HDG, SS4, AL
- Wt./C 75 Lbs. (34.0 kg)

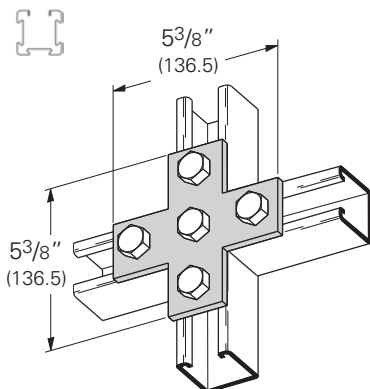
PA ZN
GRN



B132 Five Hole Cross Plate

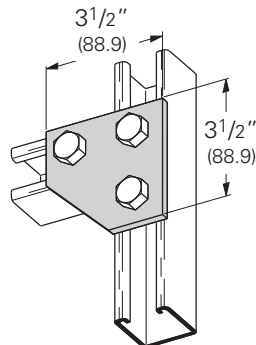
- Standard finishes: ZN, GRN, HDG
- Wt./C 100 Lbs. (45.3 kg)

PA ZN
GRN



B135 Three Hole Corner Gusset Plate

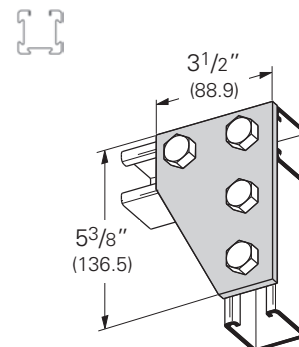
- Standard finishes: ZN, GRN
- Wt./C 70 Lbs. (31.7 kg)



B142 Four Hole Corner Gusset Plate

- Standard finishes: ZN, GRN, HDG
- Wt./C 102 Lbs. (46.2 kg)

PA ZN
GRN



PA Pre-assembled fitting

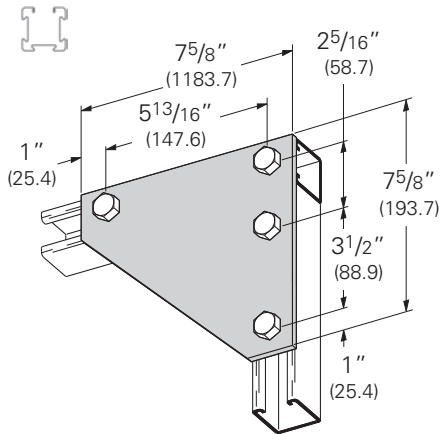
 4Dimension compatible fitting

Reference page 73 for general fitting and standard finish specifications.

Flat Plate Fittings

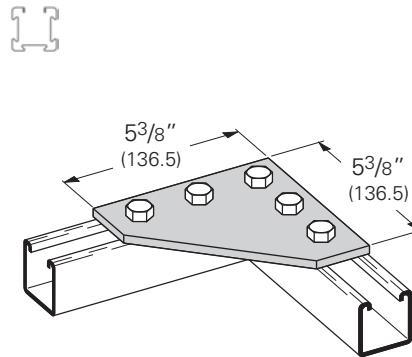
B137 Four Hole Corner Gusset Plate

- Standard finishes: ZN, GRN
- Wt./C 273 Lbs. (123.8 kg)



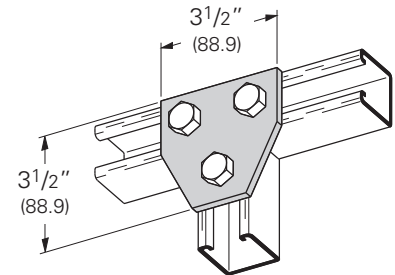
B556 Five Hole Corner Gusset Plate

- Standard finishes: ZN, GRN
- Wt./C 145 Lbs. (65.8 kg)



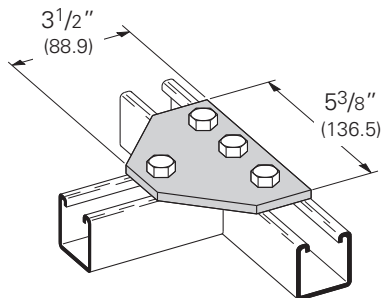
B337 Three Hole Tee Gusset Plate

- Standard finishes: ZN, GRN
- Wt./C 70 Lbs. (31.7 kg)



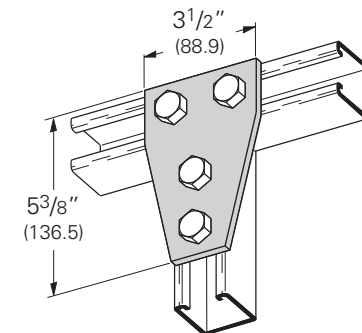
B432 Four Hole Tee Gusset Plate

- Standard finishes: ZN, GRN
- Wt./C 100 Lbs. (45.3 kg)



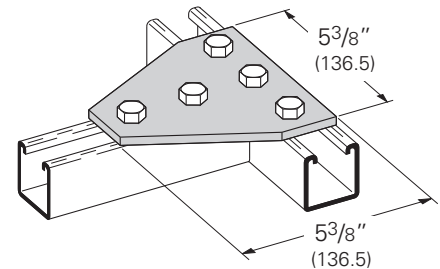
B136 Four Hole Tee Gusset Plate

- Standard finishes: ZN, GRN, HDG
- Wt./C 100 Lbs. (45.3 kg)



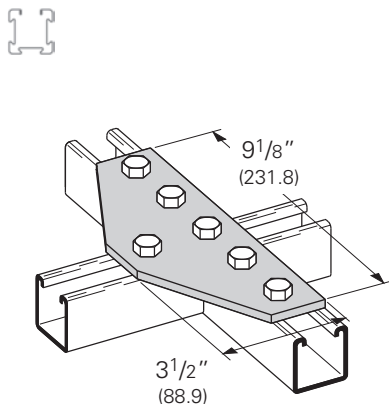
B532 Five Hole Tee Gusset Plate

- Standard finishes: ZN, GRN
- Wt./C 143 Lbs. (64.8 kg)



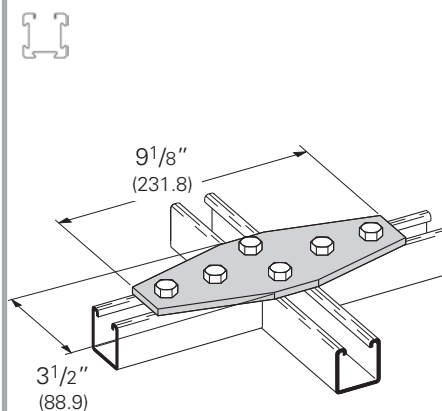
B339 Six Hole Tee Gusset Plate

- Standard finishes: ZN, GRN
- Wt./C 149 Lbs. (67.6 kg)



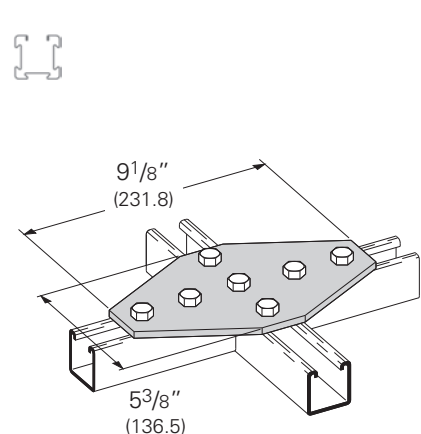
B568 Six Hole Cross Gusset Plate

- Standard finishes: ZN, GRN
- Wt./C 166 Lbs. (75.3 kg)



B334 Seven Hole Cross Gusset Plate

- Standard finishes: ZN, GRN
- Wt./C 232 Lbs. (105.2 kg)



PA Pre-assembled fitting

 4Dimension compatible fitting

Reference page 73 for general fitting and standard finish specifications.