

Issue: 11/17/2016
 Date:
 Page: 1 of 2
 File: PSS-650GP

15/25kV	600A Deadbreak Grounding Plug	650GP
---------	-------------------------------	-------



Features:

- Fully rated 15/25kV, 600 Amp Deadbreak Grounding Plug
- Allows visible external separation and grounding
- 2.29 ft.(27.48in- 697mm)1/0 AWG grounding cable
- Stainless Steel Bracket
- Hot Stick Operable

650GP Grounding Plug

Applications:

The Elastimold® 650GP Grounding Plug is equipped with a 15/25kV class, 600 A interface, 2.29 ft.(27.48in- 697mm)1/0 AWG grounding cable, stainless steel mounting bracket for insertion into a parking stand and hot stick operable mounting hardware. The 650GP Grounding plug is inserted into a parking stand with an insulated hot stick and secure in place. Mating Elastimold® K655LR/K656LR deadbreak elbows can then be placed on the 650GP Grounding Bushing to ground the circuit.

Ratings:

Meets ANSI/IEEE Standard 386, Latest Revision

For 15kV Voltage Class:

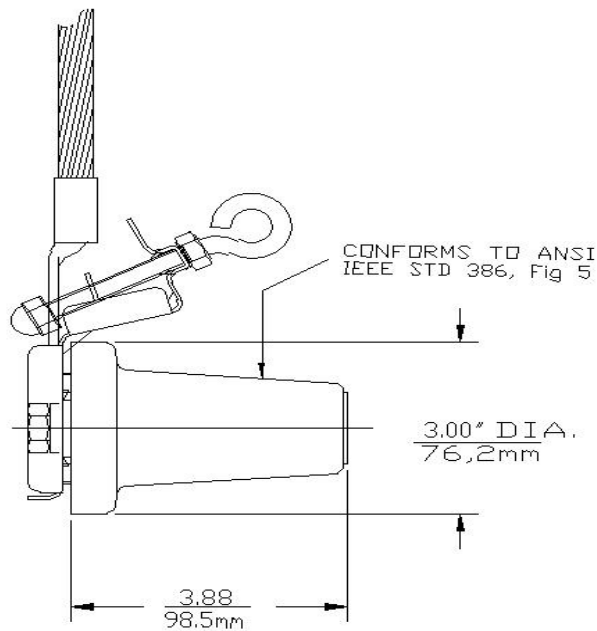
600 Amp – Continuous
 25kA Sym – 10 Cycles Momentary

For 28kV Voltage Class:

600 Amp – Continuous
 25kA Sym – 10 Cycles Momentary

Issue: 10/29/2012
Date:
Page: 2 of 2
File: PSS-650GP

15/25kV	600A Deadbreak Grounding Plug	650GP
---------	-------------------------------	-------



Ordering Instructions:

To order 15/25kV, 600A grounding plug, specify **650GP**.

Each kit contains the following:

- | | | |
|---|--------------------------|---------|
| 1 | Grounding Plug | 650GP |
| 1 | Tube, lubricant | 82-08 |
| 1 | Installation Instruction | IS-0247 |

Example:

The ordering number for a 600 Amp grounding plug is 650GP.